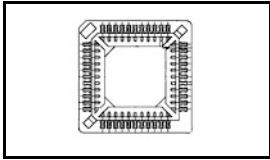


## 822516-4 Product Details

[Share](#) [Print](#) [Email](#)



**822516-4**


TE Internal Number: 822516-4

 Pending Obsolescence

[Contact Product Information Center](#)

[View 3D PDF](#)

### PLCC Sockets

 Always EU RoHS/ELV Compliant  
(Statement of Compliance)

### Product Highlights:

- Socket Type = Low Profile
- 52 Positions
- 1.27 mm Centerline
- Normal Insertion Force
- Surface Mount Contact Termination Type

[View all Features](#)

### Quick Links

- ▶ [Pricing & Availability](#)
- ▶ [Search for Tooling](#)
- ▶ [Product Feature Selector](#)
- ▶ [Contact Us About This Product](#)

[Add to My Part List](#)

[Request Sample](#)

[Find Similar Products](#)

[Buy Product](#)

### Documentation & Additional Information

#### Product Drawings:

- [PLCC SURFACE MOUNT LEAD FREE VERSION](#) (PDF, English)

#### Catalog Pages/Data Sheets:

- None Available

#### Product Specifications:

- None Available

#### Application Specifications:

- None Available

#### Instruction Sheets:

- None Available

#### CAD Files: [\(CAD Format & Compression Information\)](#)

- [2D Drawing](#) (DXF, Version A)
- [3D Model](#) (IGES, Version A)
- [3D Model](#) (STEP, Version A)

[List all Documents](#)

#### Additional Information:

- [Product Line Information](#)

#### Related Products:

- [Tooling](#)

### Product Features (Please use the Product Drawing for all design activity)

#### Product Type Features:

- [Insertion Force](#) = Normal
- [Polarizing Pin](#) = Without

#### Termination Features:

- [Contact Termination Type](#) = Surface Mount

#### Dimensions:

- [Height Above PC Board](#) (mm [in]) = 4.60 [0.181]

#### Contact Features:

- [Socket Type](#) = Low Profile
- [Contact Base Material](#) = Phosphor Bronze
- [Contact Plating, Mating Area, Material](#) = Tin

#### Housing Features:

- [Centerline](#) (mm [in]) = 1.27 [0.050]
- [Housing Material](#) = Thermoplastic - GF

#### Configuration Features:

- [Number of Positions](#) = 52

#### Industry Standards:

- [RoHS/ELV Compliance](#) = RoHS compliant, ELV compliant
- [Lead Free Solder Processes](#) = Reflow solder capable to 245°C, Reflow solder capable to 260°C
- [RoHS/ELV Compliance History](#) = Always was RoHS compliant
- [UL Flammability Rating](#) = UL 94V-0

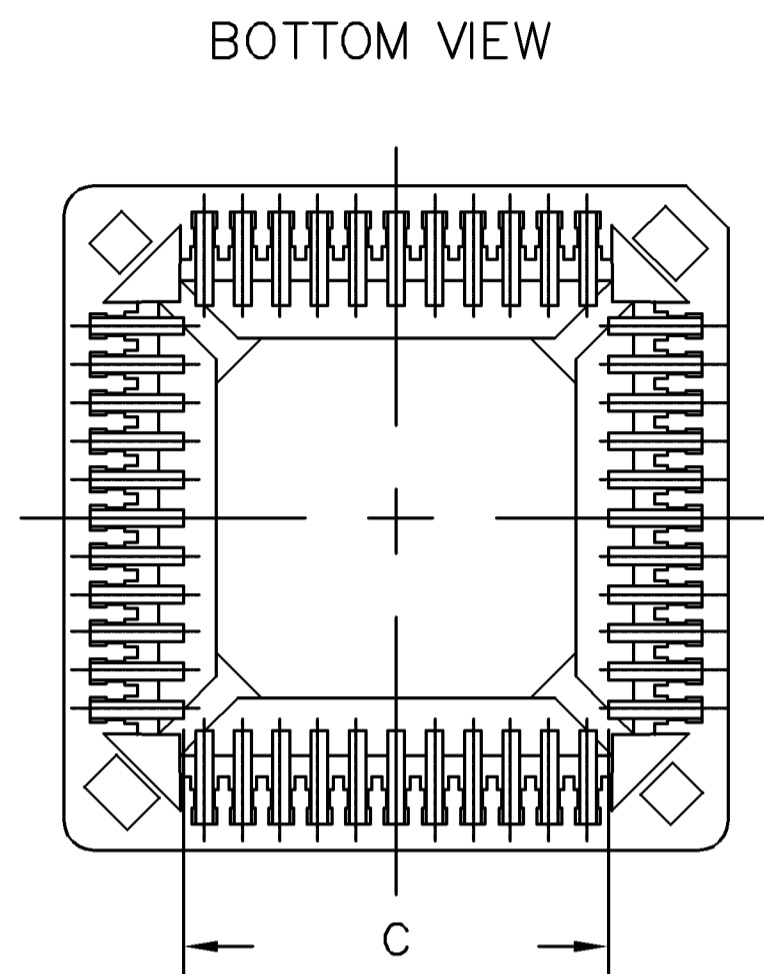
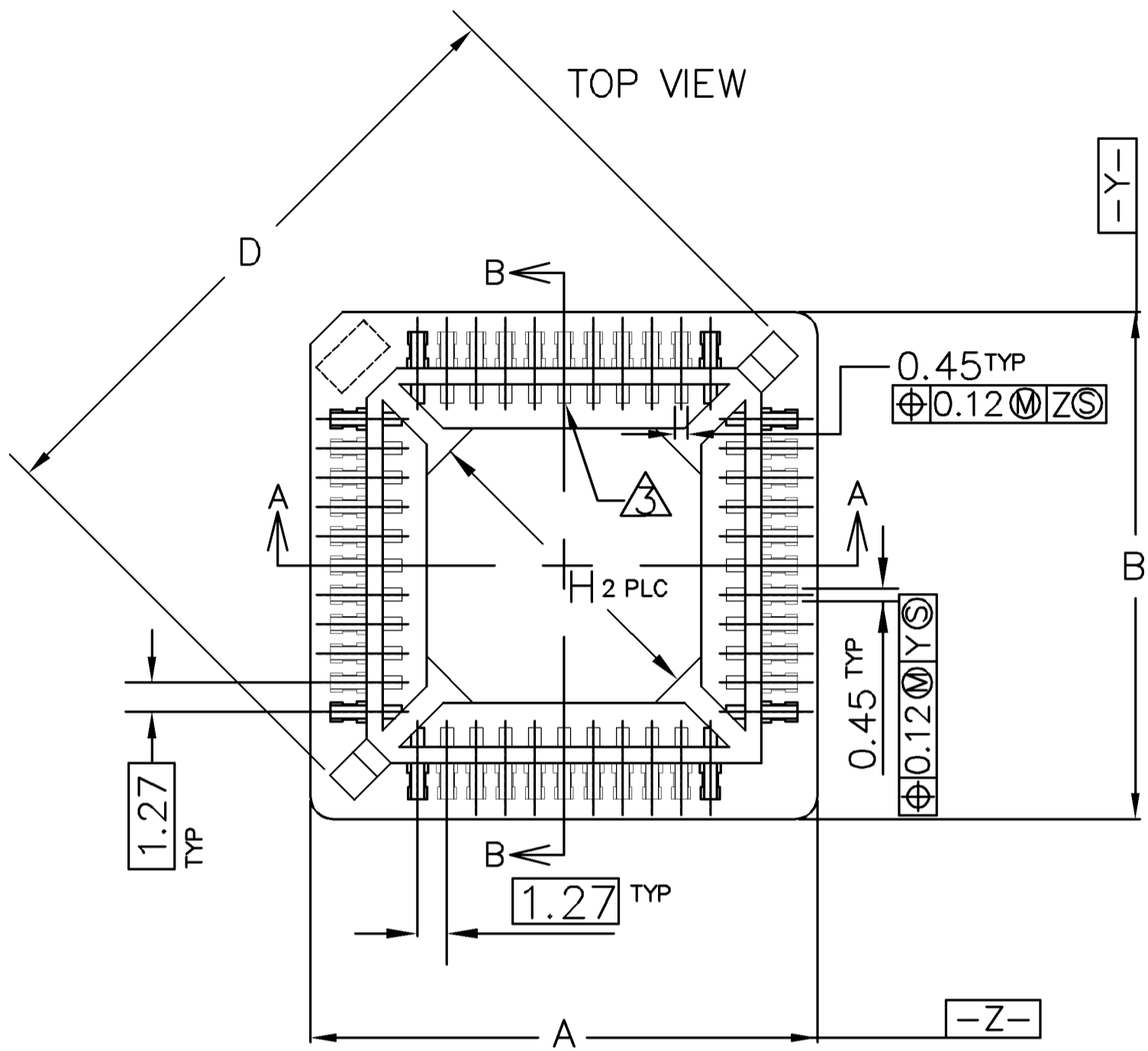
#### Packaging Features:

- [Packaging Method](#) = Tube

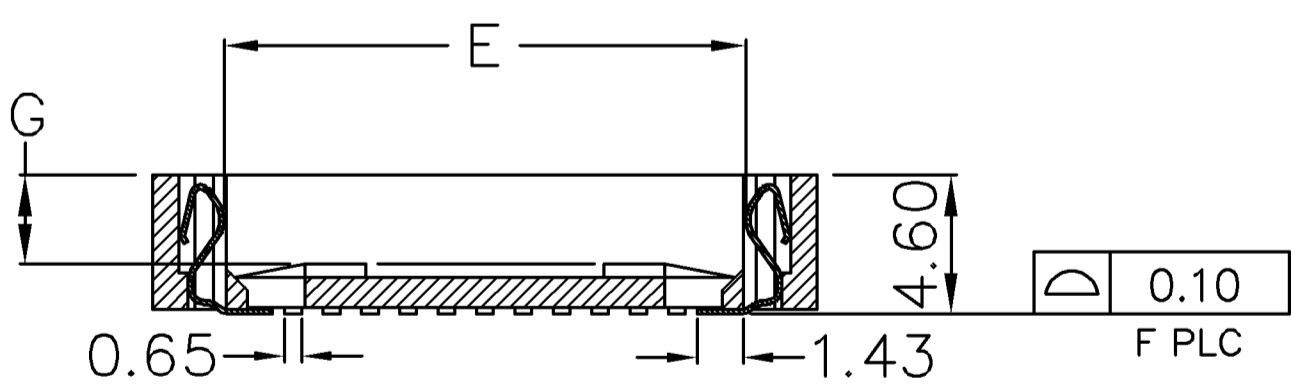
#### Other:

- [Brand](#) = AMP

LOC DW	DIST -	REVISIONS			
P	LTR	DESCRIPTION	DATE	DWN	APVD
	A2	REVISED (ECR-11-006020)	23MAR11	JL	WK



- 1 MATERIAL:  
 HOUSING--HIGH TEMPERATURE THERMOPLASTIC, UL94V-0, COLOR: BROWN.  
 CONTACT--PHOSPHOR BRONZE.  
 2 CONTACT FINISH: PLATE 0.00254 MIN. MATTE TIN OVER 0.00127 MIN. NICKEL ; ALL OVER.  
 3 PIN #1. TRIANGULAR IDENTIFIER 0.03 MAX RAISED ON FLOOR.  
 4 VIA HOLES NOT RECOMMENDED WITHIN SOCKET SHADOW AREA.  
 5. CURRENT RATING: 1 AMP.  
 6. VOLTAGE RATING: 250V.  
 7. CONTACT RESISTANCE: 20 MILLIOHMS, MAXIMUM.  
 8. INSULATION RESISTANCE: 5,000 MEGOHMS, MINIMUM, INITIAL.  
 9. DIELECTRIC WITHSTANDING VOLTAGE: 600 VAC RMS, MINIMUM.  
 10. OPERATING TEMPERATURE: -55 TO +105 C.  
 11. DURABILITY: 25 CYCLES.  
 12. PLCC DEVICE MUST CONFORM TO JEDEC MS-018 (SQ.) OR MS-016 (RECT.)  
 13. RESISTANCE TO SOLDERING HEAT: 260C MAXIMUM FOR 30 SECONDS MAXIMUM.  
 14 FOR 32 POS: SECTION A-A, E = 11.90  
 SECTION B-B, E = 14.45  
 15. EXTRACTION TOOL: 822476-1



SECTION A-A  
 SECTION B-B

44 POSITION SHOWN

H	G	F	E	D	C	B	A	Part Status	Packaging	AMP P/N
8.74	2.60	32	14	21.89	9.25	19.57	16.90	ACTIVE	Tape	3-822516-7
8.74	2.60	32	14	21.89	9.25	19.57	16.90	ACTIVE	Tubes	822516-7
32.14	2.90	84	29.69	45.20	27.03	35.90	35.90	ACTIVE	Tape	3-822516-6
32.14	2.90	84	29.69	45.20	27.03	35.90	35.90	ACTIVE	Tubes	822516-6
24.83	2.90	68	24.61	37.98	21.95	30.82	30.82	ACTIVE	Tape	3-822516-5
24.83	2.90	68	24.61	37.98	21.95	30.82	30.82	ACTIVE	Tubes	822516-5
17.52	2.75	52	19.53	30.78	16.87	25.74	25.74	ACTIVE	Tape	3-822516-4
17.52	2.75	52	19.53	30.78	16.87	25.74	25.74	ACTIVE	Tubes	822516-4
4.04	2.75	20	9.36	16.38	6.71	14.36	14.36	ACTIVE	Tape	3-822516-3
4.04	2.75	20	9.36	16.38	6.71	14.36	14.36	ACTIVE	Tubes	822516-3
7.55	2.75	28	11.90	20.00	9.25	16.90	16.90	ACTIVE	Tape	3-822516-2
7.55	2.75	28	11.90	20.00	9.25	16.90	16.90	ACTIVE	Tubes	822516-2
14.16	2.95	44	16.99	27.20	14.33	22.00	22.00	ACTIVE	Tape	3-822516-1
14.16	2.95	44	16.99	27.20	14.33	22.00	22.00	ACTIVE	Tubes	822516-1

THIS DRAWING IS A CONTROLLED DOCUMENT.

DWN K.KREIDLER 18MAY2001	TE Connectivity PLCC SURFACE MOUNT LEAD FREE VERSION
CHK K.KREIDLER 18MAY2001	
APVD K.KREIDLER 18MAY2001	
NAME	
PRODUCT SPEC 108-57858	SIZE A300779
APPLICATION SPEC	CAGE CODE C-822516
WEIGHT -	DRAWING NO
MATERIAL SEE NOTE	RESTRICTED TO -
FINISH SEE NOTE	SCALE -
	SHEET 1 OF 2
	REV A2

CUSTOMER DRAWING

4

3

2

1

THIS DRAWING IS UNPUBLISHED.

RELEASED FOR PUBLICATION

AUG 2006

© COPYRIGHT 2009

BY TYCO ELECTRONICS CORPORATION.

ALL RIGHTS RESERVED.

LOC  
DWDIST  
—

REVISIONS

P	LTR	DESCRIPTION	DATE	DWN	APVD
		SEE SHEET 1.			

RECOMMENDED PCB FOOTPRINT

84	25.40	25.40	28.80	28.80
68	20.32	20.32	23.72	23.72
52	15.24	15.24	18.64	18.64
44	12.70	12.70	16.10	16.10
32	7.62	10.16	11.02	13.56
28	7.62	7.62	11.02	11.02
20	5.08	5.08	8.48	8.48
NO. OF POSITIONS	J	K	L	M

THIS DRAWING IS A CONTROLLED DOCUMENT.

DIMENSIONS:  
MM

TOLERANCES UNLESS OTHERWISE SPECIFIED:

0 PLC	± -
1 PLC	± -
2 PLC	± -
3 PLC	± -
4 PLC	± -
ANGLES	± -

MATERIAL

FINISH

DWN

CHK

APVD

PRODUCT SPEC

APPLICATION SPEC

WEIGHT

CUSTOMER DRAWING

TE Connectivity

NAME

PLCC SURFACE MOUNT  
LEAD FREE VERSION

SIZE

CAGE CODE

DRAWING NO

RESTRICTED TO

A300779

C-822516

SCALE

SHEET

2 OF 2

REV

A2

AMP 1470-19 REV 31MAR2000