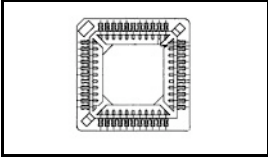


822516-6 Product Details

[Share](#) [Print](#) [Email](#)



822516-6

TE Internal Number: 822516-6

Pending Obsolescence

[Contact Product Information Center](#)

[View 3D PDF](#)

PLCC Sockets

Always EU RoHS/ELV Compliant
(Statement of Compliance)

Product Highlights:

- Socket Type = Low Profile
- 84 Positions
- 1.27 mm Centerline
- Normal Insertion Force
- Surface Mount Contact Termination Type

[View all Features](#)

Quick Links

- ▶ [Pricing & Availability](#)
- ▶ [Search for Tooling](#)
- ▶ [Product Feature Selector](#)
- ▶ [Contact Us About This Product](#)

[Add to My Part List](#)

[Request Sample](#)

[Find Similar Products](#)

[Buy Product](#)

Documentation & Additional Information

Product Drawings:

- [PLCC SURFACE MOUNT LEAD FREE VERSION](#) (PDF, English)

Catalog Pages/Data Sheets:

- None Available

Product Specifications:

- None Available

Application Specifications:

- None Available

Instruction Sheets:

- None Available

CAD Files: [\(CAD Format & Compression Information\)](#)

- [2D Drawing](#) (DXF, Version A)
- [3D Model](#) (IGES, Version A)
- [3D Model](#) (STEP, Version A)

[List all Documents](#)

Additional Information:

- [Product Line Information](#)

Related Products:

- [Tooling](#)

Product Features (Please use the Product Drawing for all design activity)

Product Type Features:

- [Insertion Force](#) = Normal
- [Polarizing Pin](#) = Without

Termination Features:

- [Contact Termination Type](#) = Surface Mount

Dimensions:

- [Height Above PC Board](#) (mm [in]) = 4.60 [0.181]

Contact Features:

- Socket Type = Low Profile
- Contact Base Material = Phosphor Bronze
- Contact Plating, Mating Area, Material = Tin

Housing Features:

- Centerline (mm [in]) = 1.27 [0.050]
- Housing Material = Thermoplastic - GF

Configuration Features:

- [Number of Positions](#) = 84

Industry Standards:

- [RoHS/ELV Compliance](#) = RoHS compliant, ELV compliant
- [Lead Free Solder Processes](#) = Reflow solder capable to 245°C, Reflow solder capable to 260°C
- [RoHS/ELV Compliance History](#) = Always was RoHS compliant
- [UL Flammability Rating](#) = UL 94V-0

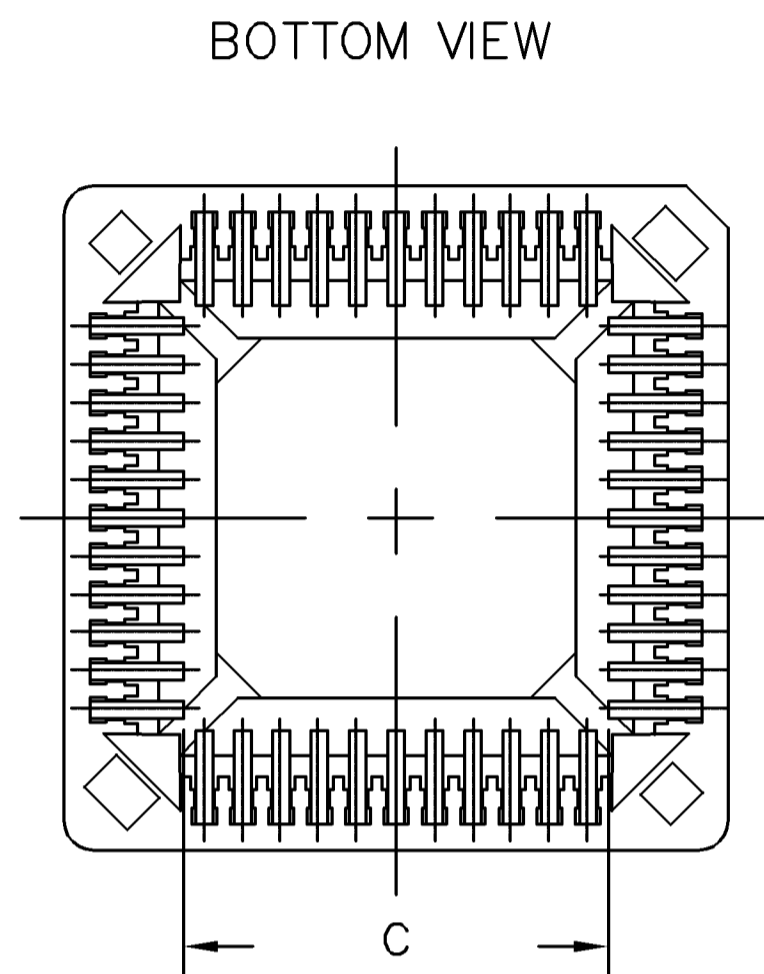
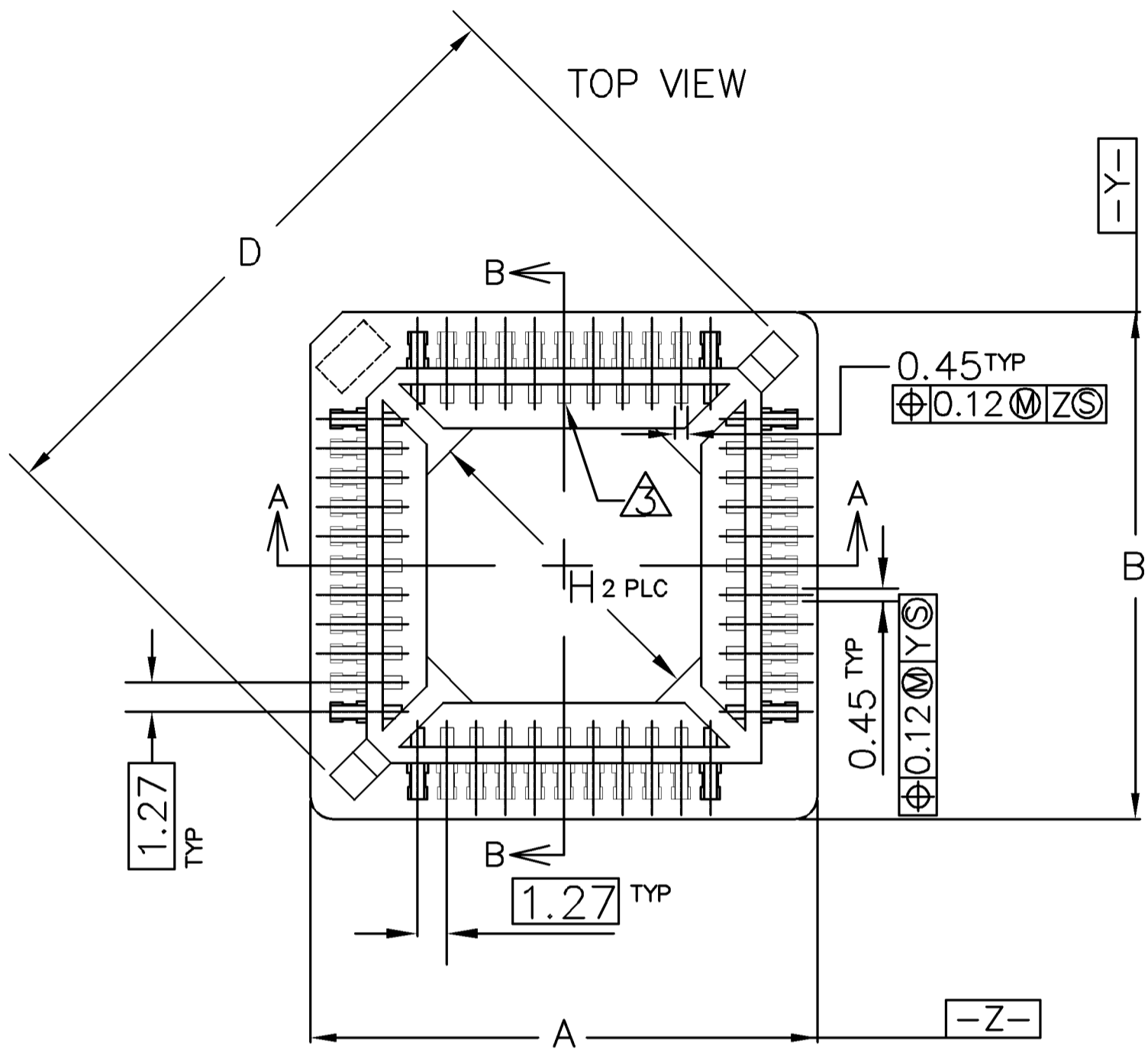
Packaging Features:

- [Packaging Method](#) = Tube

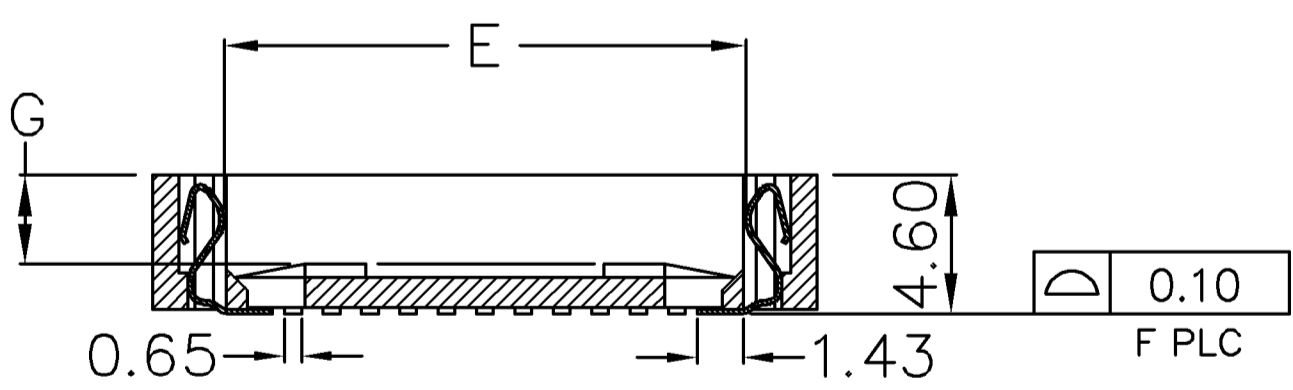
Other:

- Brand = AMP

LOC	DIST	REVISIONS					
DW	-	P	LTR	DESCRIPTION	DATE	DWN	APVD
		A2		REVISED (ECR-11-006020)	23MAR11	JL	WK



- 1 MATERIAL:
HOUSING--HIGH TEMPERATURE THERMOPLASTIC, UL94V-0, COLOR: BROWN.
CONTACT--PHOSPHOR BRONZE.
- 2 CONTACT FINISH: PLATE 0.00254 MIN. MATTE TIN OVER 0.00127 MIN. NICKEL ; ALL OVER.
- 3 PIN #1. TRIANGULAR IDENTIFIER 0.03 MAX RAISED ON FLOOR.
- 4 VIA HOLES NOT RECOMMENDED WITHIN SOCKET SHADOW AREA.
- 5. CURRENT RATING: 1 AMP.
- 6. VOLTAGE RATING: 250V.
- 7. CONTACT RESISTANCE: 20 MILLIOHMS, MAXIMUM.
- 8. INSULATION RESISTANCE: 5,000 MEGOHMS, MINIMUM, INITIAL.
- 9. DIELECTRIC WITHSTANDING VOLTAGE: 600 VAC RMS, MINIMUM.
- 10. OPERATING TEMPERATURE: -55 TO +105 C.
- 11. DURABILITY: 25 CYCLES.
- 12. PLCC DEVICE MUST CONFORM TO JEDEC MS-018 (SQ.) OR MS-016 (RECT.)
- 13. RESISTANCE TO SOLDERING HEAT: 260C MAXIMUM FOR 30 SECONDS MAXIMUM.
- 14 FOR 32 POS: SECTION A-A, E = 11.90
SECTION B-B, E = 14.45
- 15. EXTRACTION TOOL: 822476-1



SECTION A-A
SECTION B-B

44 POSITION SHOWN

H	G	F	E	D	C	B	A	Part Status	Packaging	AMP P/N
8.74	2.60	32	14	21.89	9.25	19.57	16.90	ACTIVE	Tape	3-822516-7
8.74	2.60	32	14	21.89	9.25	19.57	16.90	ACTIVE	Tubes	822516-7
32.14	2.90	84	29.69	45.20	27.03	35.90	35.90	ACTIVE	Tape	3-822516-6
32.14	2.90	84	29.69	45.20	27.03	35.90	35.90	ACTIVE	Tubes	822516-6
24.83	2.90	68	24.61	37.98	21.95	30.82	30.82	ACTIVE	Tape	3-822516-5
24.83	2.90	68	24.61	37.98	21.95	30.82	30.82	ACTIVE	Tubes	822516-5
17.52	2.75	52	19.53	30.78	16.87	25.74	25.74	ACTIVE	Tape	3-822516-4
17.52	2.75	52	19.53	30.78	16.87	25.74	25.74	ACTIVE	Tubes	822516-4
4.04	2.75	20	9.36	16.38	6.71	14.36	14.36	ACTIVE	Tape	3-822516-3
4.04	2.75	20	9.36	16.38	6.71	14.36	14.36	ACTIVE	Tubes	822516-3
7.55	2.75	28	11.90	20.00	9.25	16.90	16.90	ACTIVE	Tape	3-822516-2
7.55	2.75	28	11.90	20.00	9.25	16.90	16.90	ACTIVE	Tubes	822516-2
14.16	2.95	44	16.99	27.20	14.33	22.00	22.00	ACTIVE	Tape	3-822516-1
14.16	2.95	44	16.99	27.20	14.33	22.00	22.00	ACTIVE	Tubes	822516-1

THIS DRAWING IS A CONTROLLED DOCUMENT.

DWN K.KREIDLER 18MAY2001
CHK K.KREIDLER 18MAY2001
APVD K.KREIDLER 18MAY2001

PRODUCT SPEC 108-57858
APPLICATION SPEC

WEIGHT -

MATERIAL SEE NOTE FINISH SEE NOTE

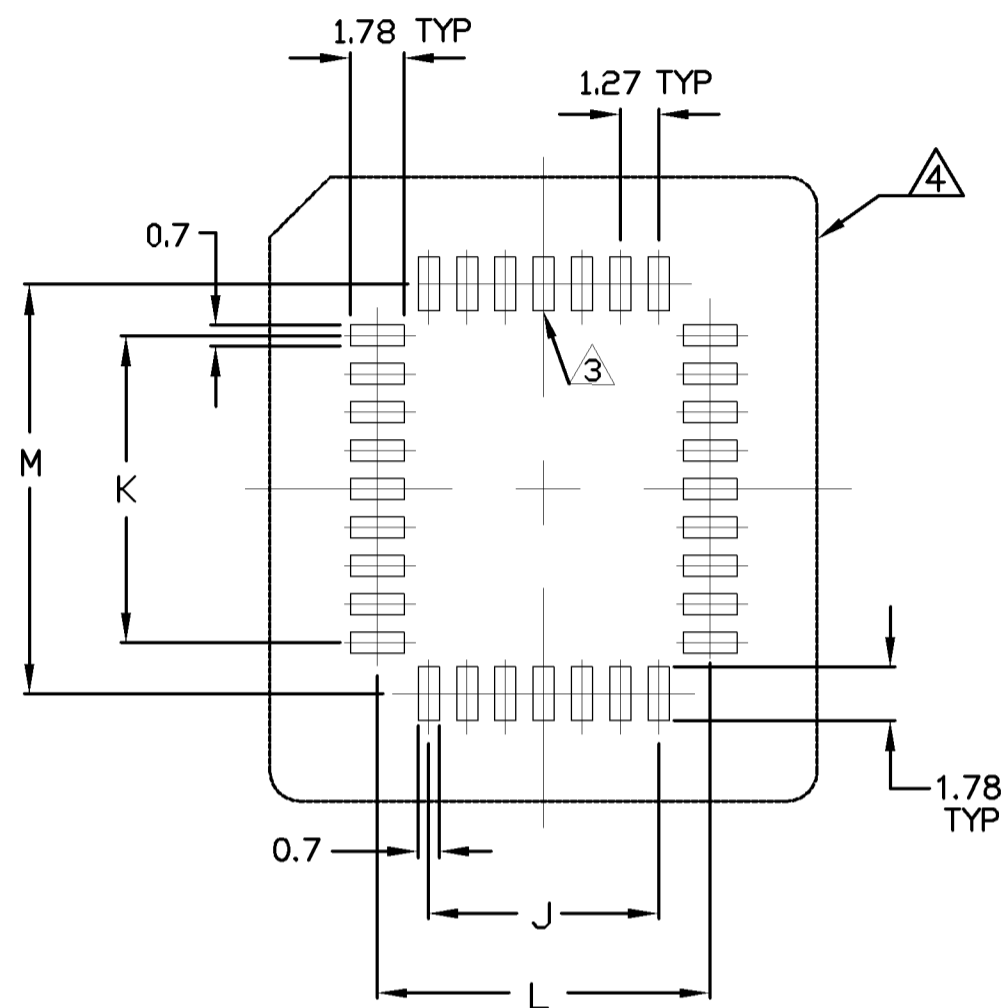
STE TE Connectivity

PLCC SURFACE MOUNT
LEAD FREE VERSION

SIZE A3 CAGE CODE 00779 DRAWING NO C=822516 RESTRICTED TO -

CUSTOMER DRAWING SCALE - SHEET 1 OF 2 REV A2

P	LTR	DESCRIPTION	DATE	DWN	APVD
		SEE SHEET 1.			

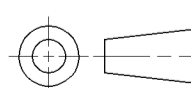


RECOMMENDED PCB FOOTPRINT

84	25.40	25.40	28.80	28.80
68	20.32	20.32	23.72	23.72
52	15.24	15.24	18.64	18.64
44	12.70	12.70	16.10	16.10
32	7.62	10.16	11.02	13.56
28	7.62	7.62	11.02	11.02
20	5.08	5.08	8.48	8.48
NO. OF POSITIONS	J	K	L	M

THIS DRAWING IS A CONTROLLED DOCUMENT.

DIMENSIONS:
MM



TOLERANCES UNLESS OTHERWISE SPECIFIED:

- 0 PLC ± -
- 1 PLC ± -
- 2 PLC ± -
- 3 PLC ± -
- 4 PLC ± -
- ANGLES ± -

MATERIAL

FINISH

DWN
CHK
APVD
PRODUCT SPEC
APPLICATION SPEC
WEIGHT



NAME

PLCC SURFACE MOUNT
LEAD FREE VERSION

SIZE	CAGE CODE	DRAWING NO	RESTRICTED TO
A3	00779	C-822516	

CUSTOMER DRAWING

SCALE	SHEET	REV
-	2 OF 2	A2