



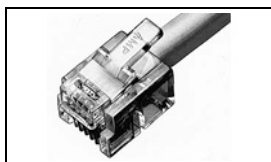
Have a Question?
Chat with a Product
Information Specialist

What can we help you find?

[Products](#) [Industries](#) [Resources](#) [About TE](#) [My Account](#) [Innovation](#) [Support Center](#)

5-557315-3 Product Details

[Share](#) [Print](#) [Email](#)



5-557315-3

TE Internal Number: 5-557315-3

Active

[View 3D PDF](#)

Modular Plugs and Accessories

Always EU RoHS/ELV Compliant (Statement of Compliance)

Product Highlights:

- Connector
- Performance Category = Cat 5
- 8 Contacts Loaded
- Not Shielded
- Conductor Type = Solid

[View all Features](#)

Quick Links

- ▶ [Pricing & Availability](#)
- ▶ [Search for Tooling](#)
- ▶ [Product Feature Selector](#)
- ▶ [Contact Us About This Product](#)

[Add to My Part List](#) [Request Sample](#) [Find Similar Products](#) [Buy Product](#)

Documentation & Additional Information

Product Drawings:

- [MODULAR PLUG ASSEMBLY, 8 POSITION, SOLID WIRE, ROUND...](#) (PDF, English)

Catalog Pages/Data Sheets:

- None Available

Product Specifications:

- None Available

Application Specifications:

- [Modular Plug Connectors \(Standard and Small Conductor\)](#) (PDF, English)

Instruction Sheets:

- None Available

CAD Files: [\(CAD Format & Compression Information\)](#)

- [2D Drawing](#) (DXF, Version J)
- [3D Model](#) (IGES, Version J)
- [3D Model](#) (STEP, Version J)

[List all Documents](#)

Additional Information:

- [Product Line Information](#)

Related Products:

- [Tooling](#)

Product Features (Please use the Product Drawing for all design activity)

Product Type Features:

- Product Type = Connector
- [Performance Category](#) = Cat 5
- Cable Style = Round
- [Latch Style](#) = Standard
- [Keyed](#) = No
- [Small Conductor](#) = No

Electrical Characteristics:

- [Shielded](#) = No

Termination Features:

- Solder Tail Contact Plating = Gold Flash over Nickel

Dimensions:

- Cable Diameter Range (mm [in]) = 5.08 [0.200]
- Conductor Insulation Diameter (mm [in]) = 0.74 - 0.99 [0.029 - 0.039]
- Conductor Outer Diameter (mm [in]) = 0.74 - 0.99 [0.029 - 0.039]

Body Features:

- Conductor Type = Solid
- Body Size = Long

Contact Features:

- Contact Base Material = Phosphor Bronze
- Contact Plating, Mating Area, Material = Gold (50)

Housing Features:

- Connector Style = Plug - Modular
- Housing Material = Polycarbonate GF
- UL Flammability Rating = UL 94V-2

Configuration Features:

- [Number of Contacts Loaded](#) = 8
- [Number of Positions](#) = 8
- Conductor (Wire) Size = 24 - 26 AWG

Industry Standards:

- [RoHS/ELV Compliance](#) = RoHS compliant, ELV compliant
- [Lead Free Solder Processes](#) = Not relevant for lead free process
- RoHS/ELV Compliance History = Always was RoHS compliant

Packaging Features:

- [Packaging Method](#) = Box
- Qty./Box = 100

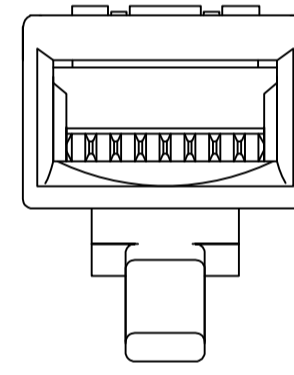
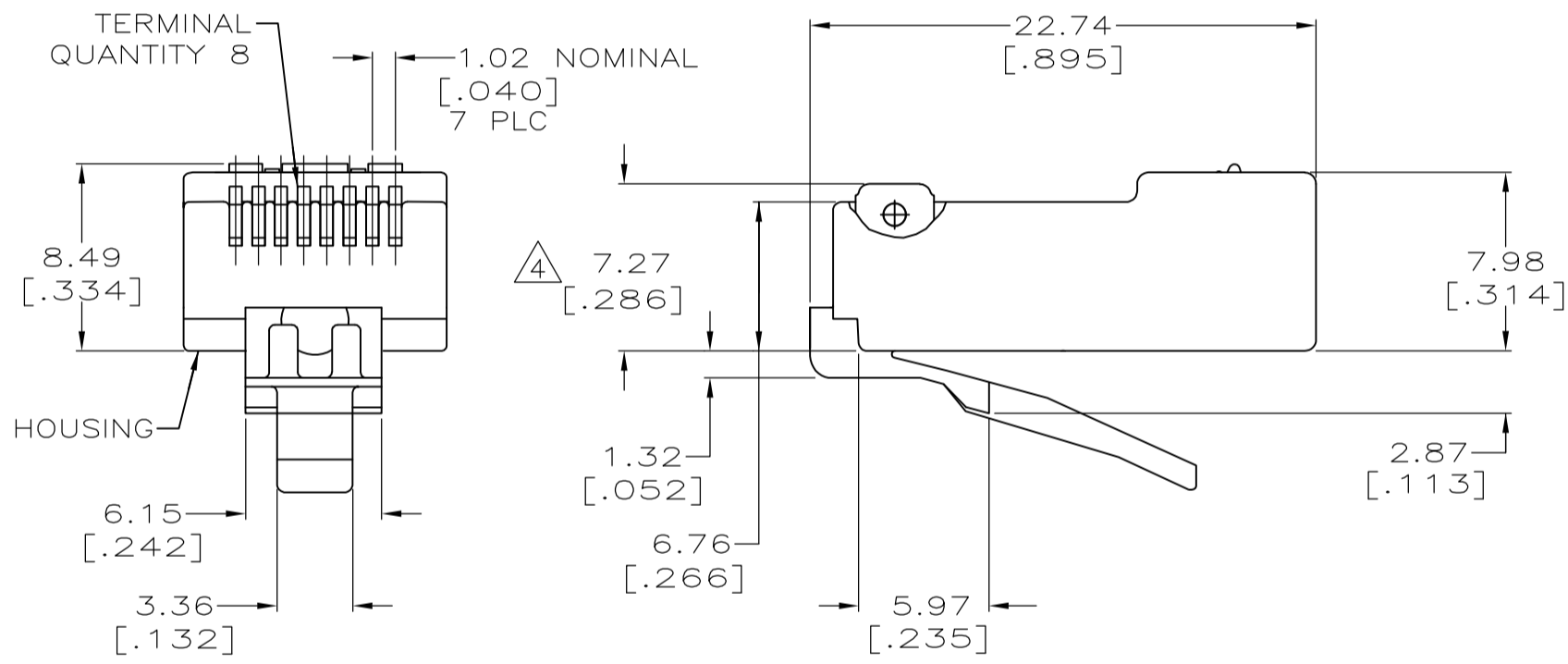
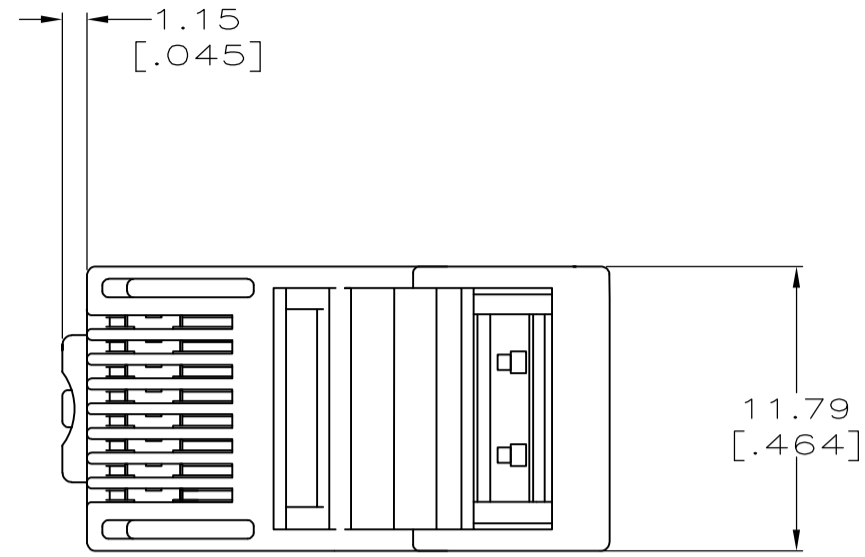
Product Availability:

- Region = Asia, EMEA, North America, Latin America, Australia/New Zealand

Other:

- Brand = AMP

LOC		DIST		REVISIONS				
P	LTR	DESCRIPTION	DATE	DWN	APVD			
F		REVISED PER ECO-12-012703	11JUL12	GG	JG			



- 1. DIMENSIONS ARE MAXIMUM UNLESS OTHERWISE SPECIFIED.
- 2. MATERIAL: HOUSING—POLYCARBONATE, CLEAR.
 TERMINAL—PHOSPHOR BRONZE, PLATED WITH 1.27 μm [.000050] MINIMUM THICK GOLD IN LOCALIZED GOLD PLATE AREA OVER 2.54 μm [.000100] MINIMUM THICK NICKEL UNDERPLATE.
- 3. PLUG WILL ACCEPT 26 OR 24 AWG SOLID WIRE, 0.74–0.99 [.029–.039] DIAMETER, WITH A 5.08 [.200] DIAMETER JACKET.
- 4. TERMINATED DIMENSION 6.15 [.242] MAXIMUM.
- 5. 10,000 LOOSE PIECES PER PACKAGE.
- 6. 500 LOOSE PIECES PER PACKAGE.
- 7. 100 ASSEMBLIES PER PACKAGE.

7	5-557315-3
6	5-557315-2
5	5-557315-1
PACKAGED PART NO	

THIS DRAWING IS A CONTROLLED DOCUMENT.		DWN D. DRUMMOND 4-26-91	STE TE Connectivity	
DIMENSIONS: mm[INCHES]		CHK M. MAYBERRY 4-6-92		
TOLERANCES UNLESS OTHERWISE SPECIFIED:		APVD LAURER/MCGRATH 10-5-94	NAME MODULAR PLUG ASSEMBLY, 8 POSITION, SOLID WIRE, ROUND CABLE	
0 PLC ± -		PRODUCT SPEC 108-1163	RESTRICTED TO	
1 PLC ± -		APPLICATION SPEC 114-6016	SIZE A2	CAGE CODE 00779
2 PLC ± -		WEIGHT -	DRAWING NO 557315	
3 PLC ± -		CUSTOMER DRAWING	SCALE 4:1	SHEET 1 OF 1
4 PLC ± -			REV F	
ANGLES ± -				
FINISH ± -				

557315