

10104111-0001LF - MICRO
USB : AB TYPE
RECEPTACLE



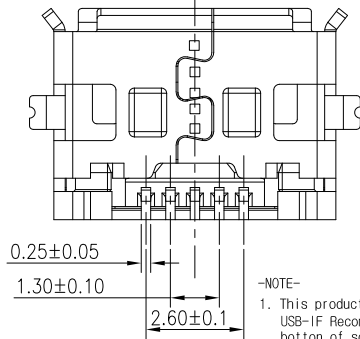
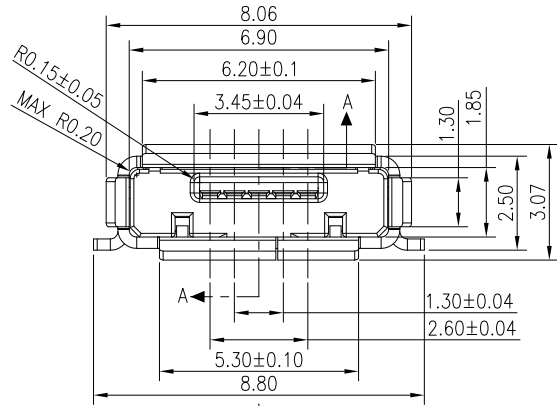
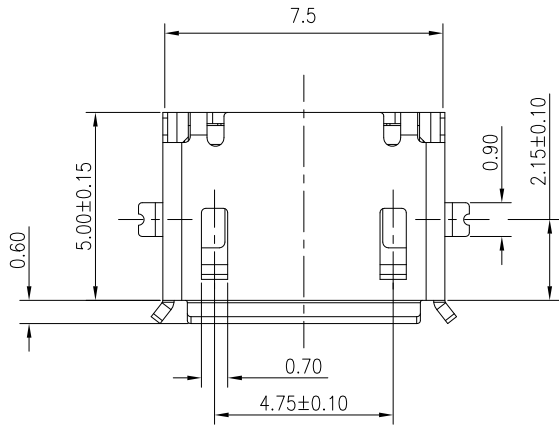
www.fci.com

Mating Half

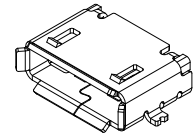
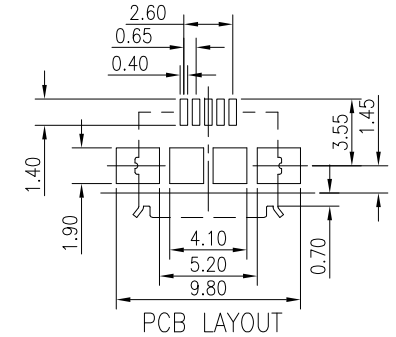
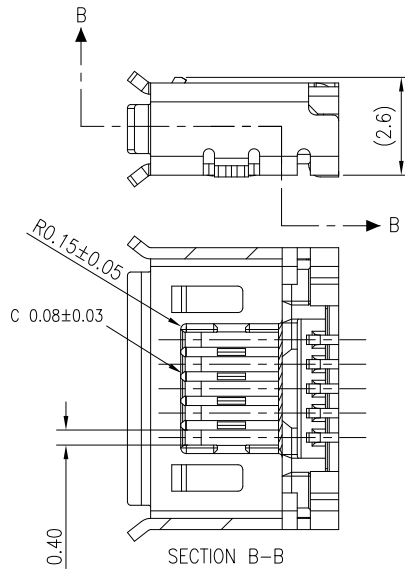
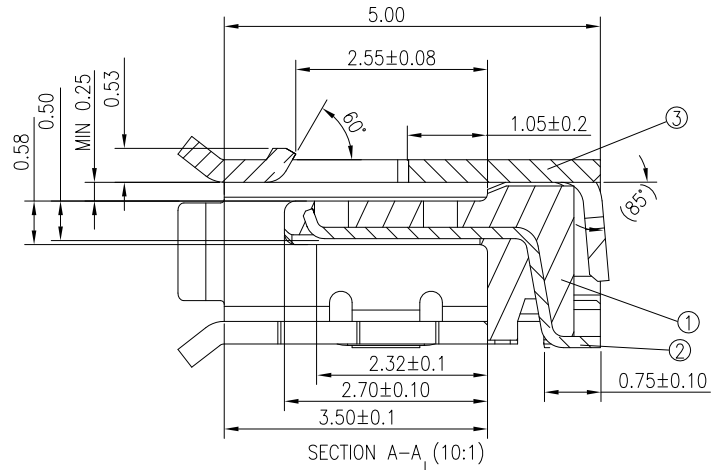
10104109-0001LF

Specifications

General	
Number of contacts	5
Orientation	Right Angle
Product Type	Receptacle
Style	AB Type
Series Number	10104111
Single or Dual Stack	Single
Electrical	
Current rating	1.8A per contact
Resistance (Contact)	After test delta: 10 m-ohms Max. change Initial: 30 m-ohms Max.
Resistance (Insulation)	After test: 100 M-ohms Min. Initial: 1000 M-ohms Min.
Voltage rating	100V AC
Mechanical	
Durability (Mating cycles)	10000 Cycles
Insertion force	35N max.
Extraction force (Signal)	8N min.
Mounting	
Mounting style	Surface Mount Type
Physical	
Color (Housing)	Gray
Material (Housing)	LCP, UL 94V-0
Plating (Contact area)	30u" Gold over 50u" Nickel
Plating (Shield)	80~120u" WT over 25~40u" Ni
Plating (Solder area)	Gold Flash
Other Features	
Packaging (Options)	Tape and Reel



- NOTE-
- This product is enable to mount both USB-IF Recommended PCB pattern bottom of soldering terminals
 - Coplanarity : The dimension between flat tool and when connector put on the flat tool like PCB Signal Contact ter' solder tail : Max 0.08 mm Metal tab : Max 0.1mm
 - PRODUCT NUMBERING:
10104111 - 0001 LF
 - The "LF" is meant lead free and can withstand expose to 260° C peak temperature for 10 seconds in IR reflow process.



ITEM	DESCRIPTION	MATERIAL	FINISH	Q'TY
1	HOUSING	THERMOPLASTIC+GF	GRAY	1
2	CONTACT	COPPER ALLOY	PLATING : Au PLATED OVER NICKEL OVERALL	5
3	SHELL	STAINLESS STEEL	PLATING : TIN OVER NICKEL OVERALL	1

mat'l. code		tolerances unless otherwise specified		CUSTOMER COPY		FCI		www.fciconnect.com	
ltr	ecn no	dr	date	linear	.X ± 0.38	projection	title		
A	T10-0002	J.H	1/7/10		.XX ± 0.25		MICRO USB A/B TYPE RECEPTACLE		
B	T10-0063	J.H	5/12/10	angles	.XXX ± 0.10				
C	T11-0016	J.H	3/16/11		0° ±2°	MM	product family	USB	code
				dr	JASON HSU	1/7/10	size	dwg no	TWN
				enr	JASON HSU	1/7/10	scale	A4	10104111
				chr	GARY HSIEH	1/7/10	5:1	sheet 1 of 1	
				appd	JOSEPH HSIA	1/7/10			
sheet index	revision sheet	C	1						