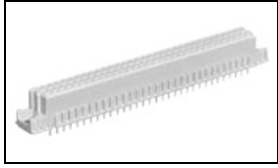


## 8-1393640-5 Product Details



**8-1393640-5**

TE Internal Number: 8-1393640-5



Active

### Eurocard Type C

 [Converted to EU RoHS/ELV Compliant](#)  
(Statement of Compliance)

#### Product Highlights:

- Eurocard Product Line
- Product Series = Type C
- Connector Assembly
- Connector Style = Receptacle
- Board-to-Board

### Documentation & Additional Information

#### Product Drawings:

- [RECEPTACLE ASSEMBLY EUROCARD TYPES B,C AND SHORT VER...](#) (PDF, English)

#### Catalog Pages/Data Sheets:

- None Available

#### Product Specifications:

- None Available

#### Application Specifications:

- None Available

#### Instruction Sheets:

- None Available

#### CAD Files: (CAD Format & Compression Information)

- [2D Drawing](#) (DXF, Version A)
- [3D Model](#) (IGES, Version A)
- [3D Model](#) (STEP, Version A)

#### Additional Information:

- [Product Line Information](#)

#### Additional Product Images:

- [Schematic](#)
- [PCB Layout](#)
- [PCB Layout](#)

#### Related Products:

- [Tooling](#)
- [Mating Products \(10\)](#)

### Product Features (Please use the Product Drawing for all design activity)

#### Product Type Features:

- Product Line = Eurocard
- Product Series = Type C
- Connector Type = Connector Assembly
- [PCB Mount Retention](#) = With
- [PCB Mount Retention Type](#) = Mounting Hole(s)
- [PCB Mounting Orientation](#) = Vertical
- Termination Method to PC Board = Through Hole - Solder
- [Size](#) = Half
- [Make First / Break Last](#) = No
- [DIN Level](#) = II

#### Electrical Characteristics:

- Contact - Rated Current (A) = 1.5

#### Termination Features:

- [Termination Post Length](#) (mm [in]) = 2.90 [0.114]

#### Dimensions:

- [PCB Thickness \(Minimum\)](#) (mm [in]) = 1.60 [0.063]

#### Contact Features:

- Contact Type = Socket
- Contact Base Material = Phosphor Bronze
- [Contact Cross Section](#) (mm [in]) = 0.32 x 0.76 [.013 x .030]

#### Housing Features:

- Connector Style = Receptacle
- Centerline (mm [in]) = 2.54 [0.100]
- Mating Alignment = With
- Mating Alignment Type = Polarization
- Housing Material = Glass Filled Polyester
- UL Flammability Rating = UL 94V-0

#### Configuration Features:

- Number of Rows = 3
- [Number of Positions](#) = 48
- [Rows Loaded](#) = A, B, C

#### Industry Standards:

- [RoHS/ELV Compliance](#) = RoHS compliant, ELV compliant
- [Lead Free Solder Processes](#) = Wave solder capable to 240°C
- RoHS/ELV Compliance History = Converted to comply with RoHS directive

#### Conditions for Usage:

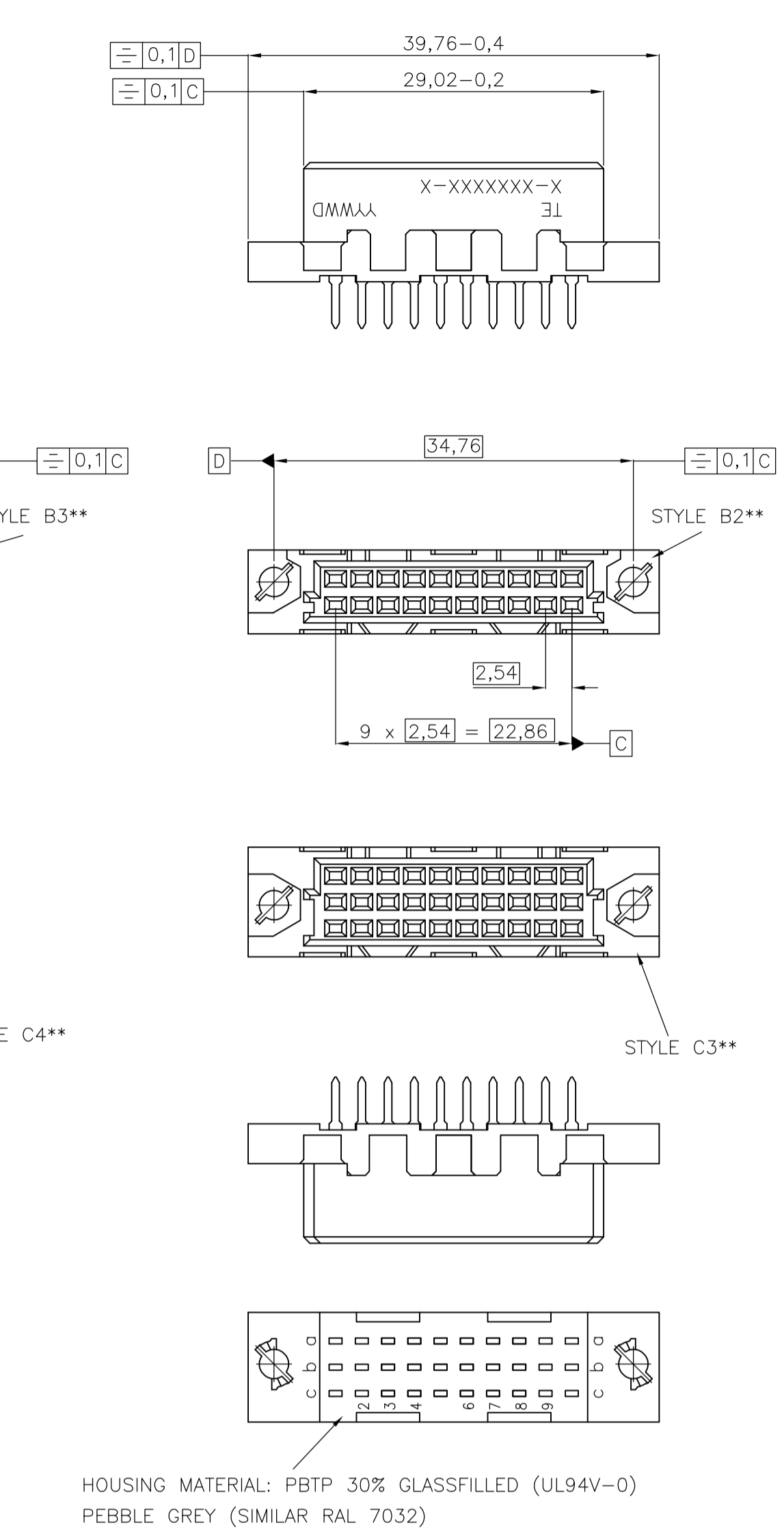
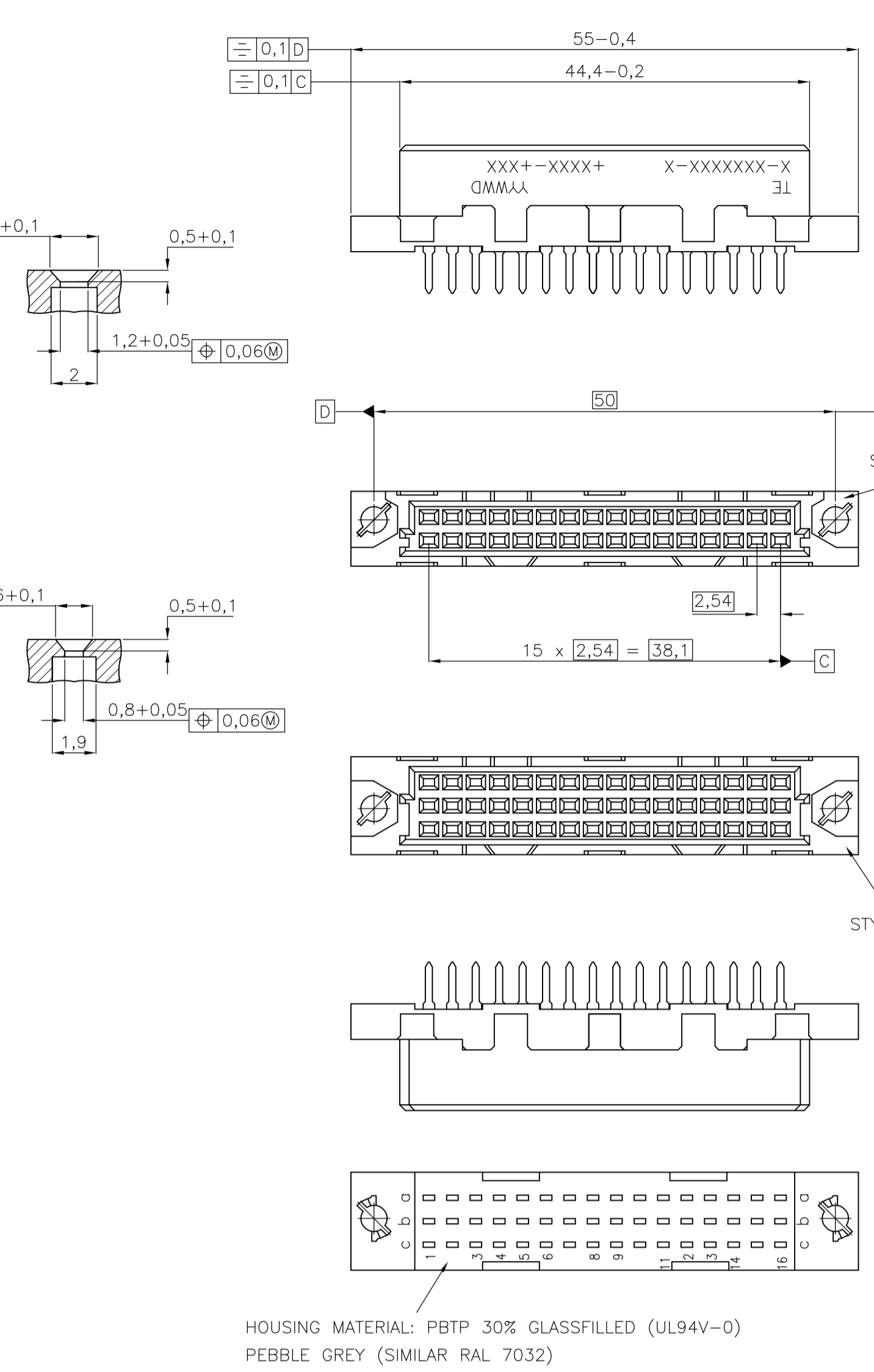
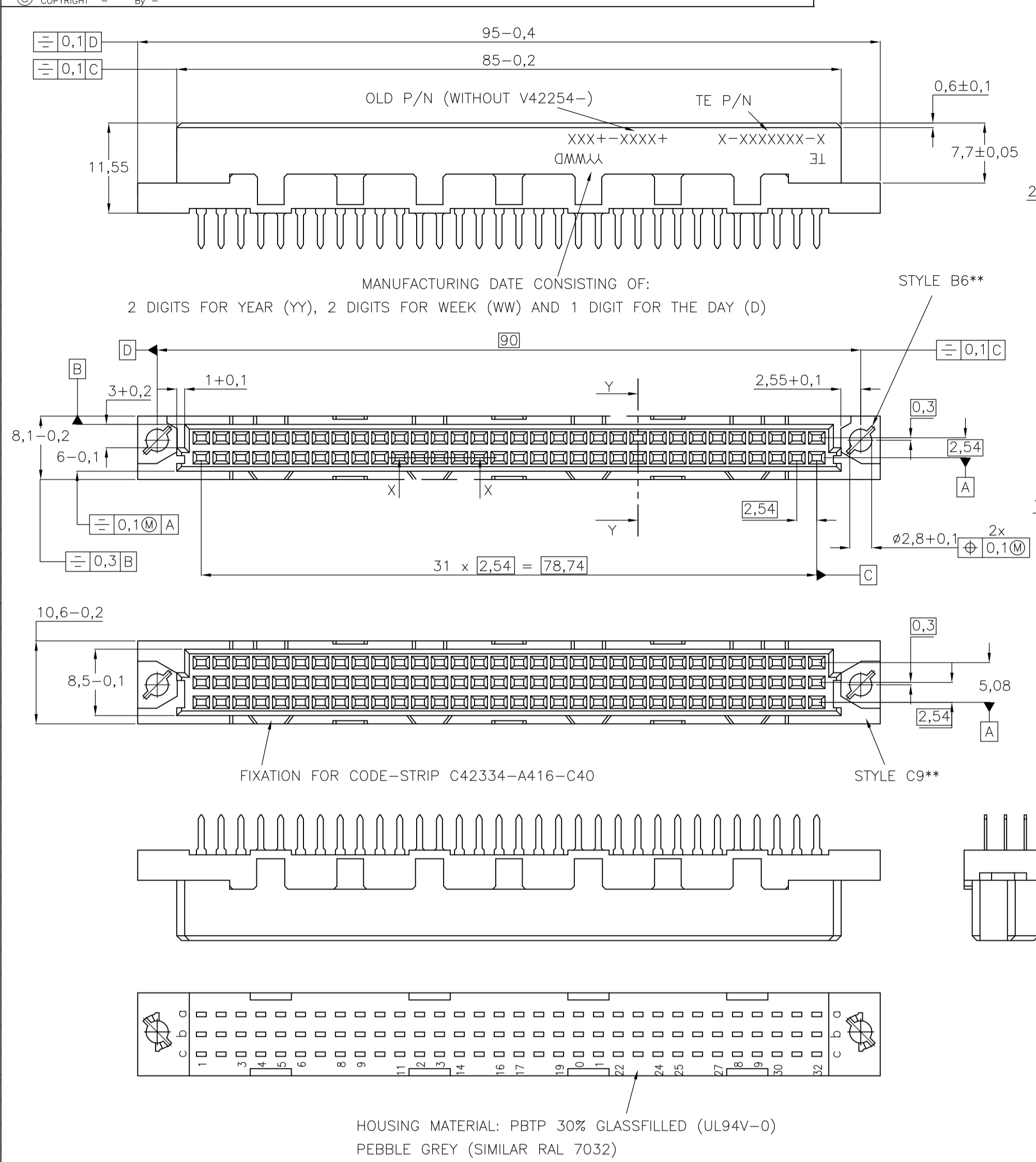
- [Applies To](#) = Printed Circuit Board

#### Operation/Application:

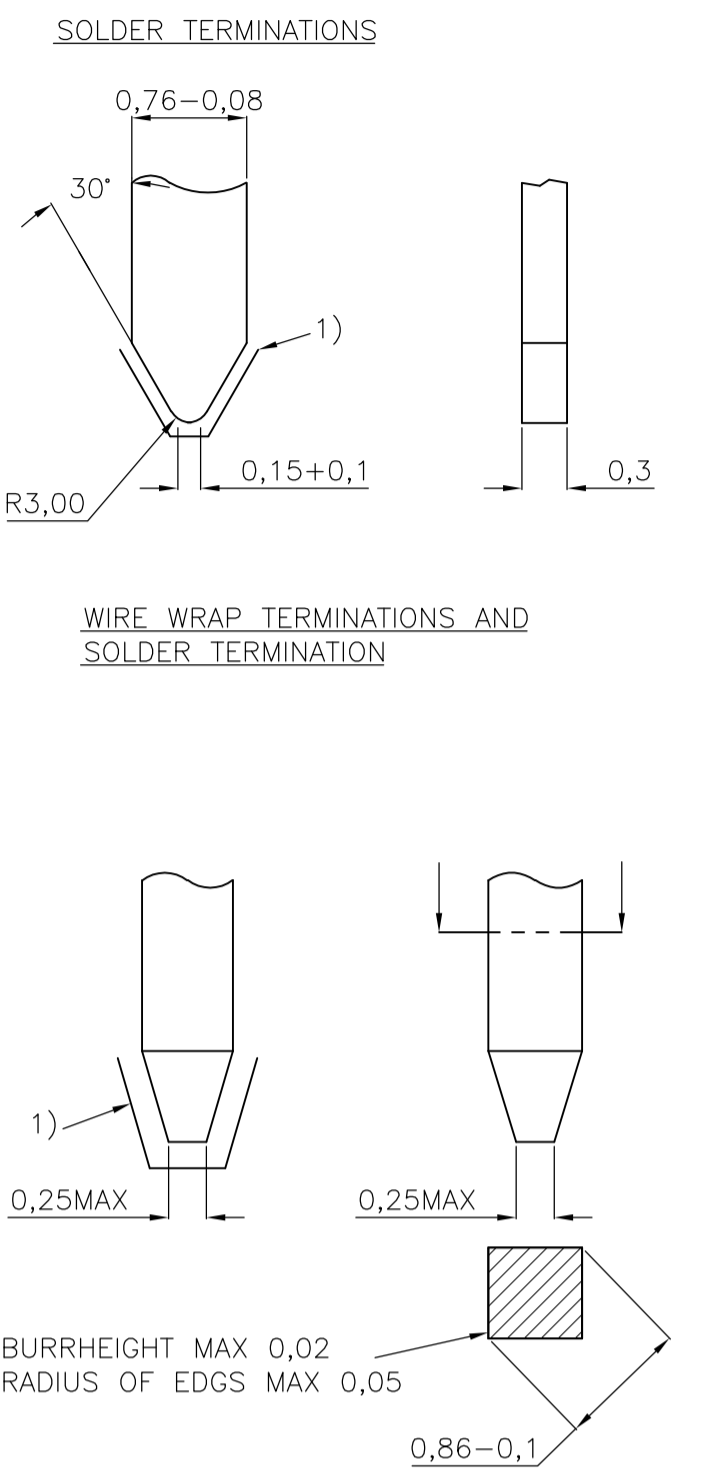
- Application Use = Board-to-Board
- Contact Transmits (Typical Application) = Signal (Data)

#### Other:

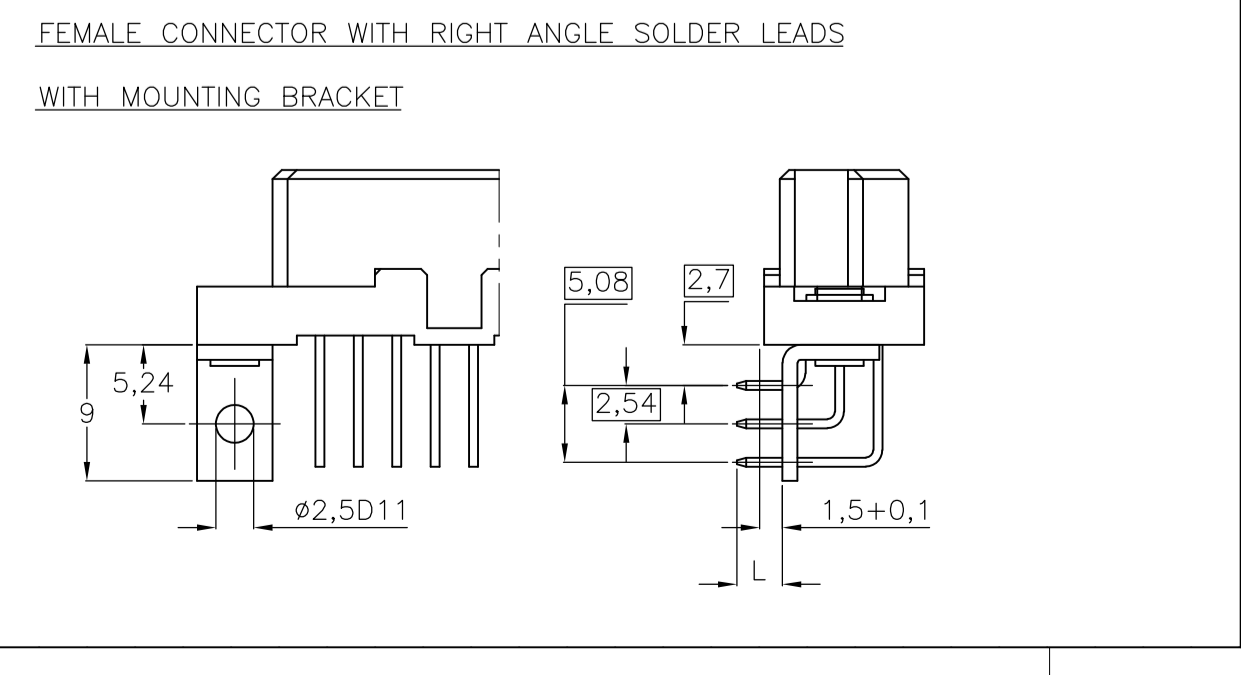
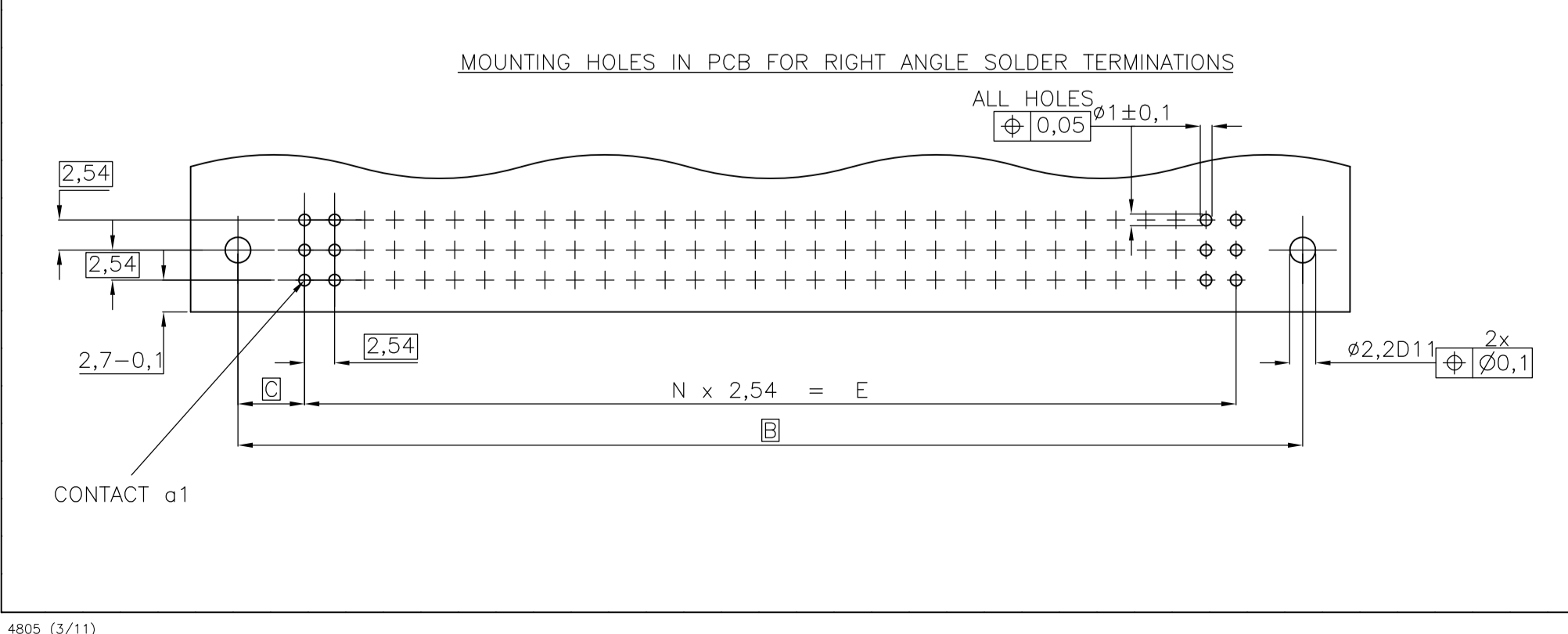
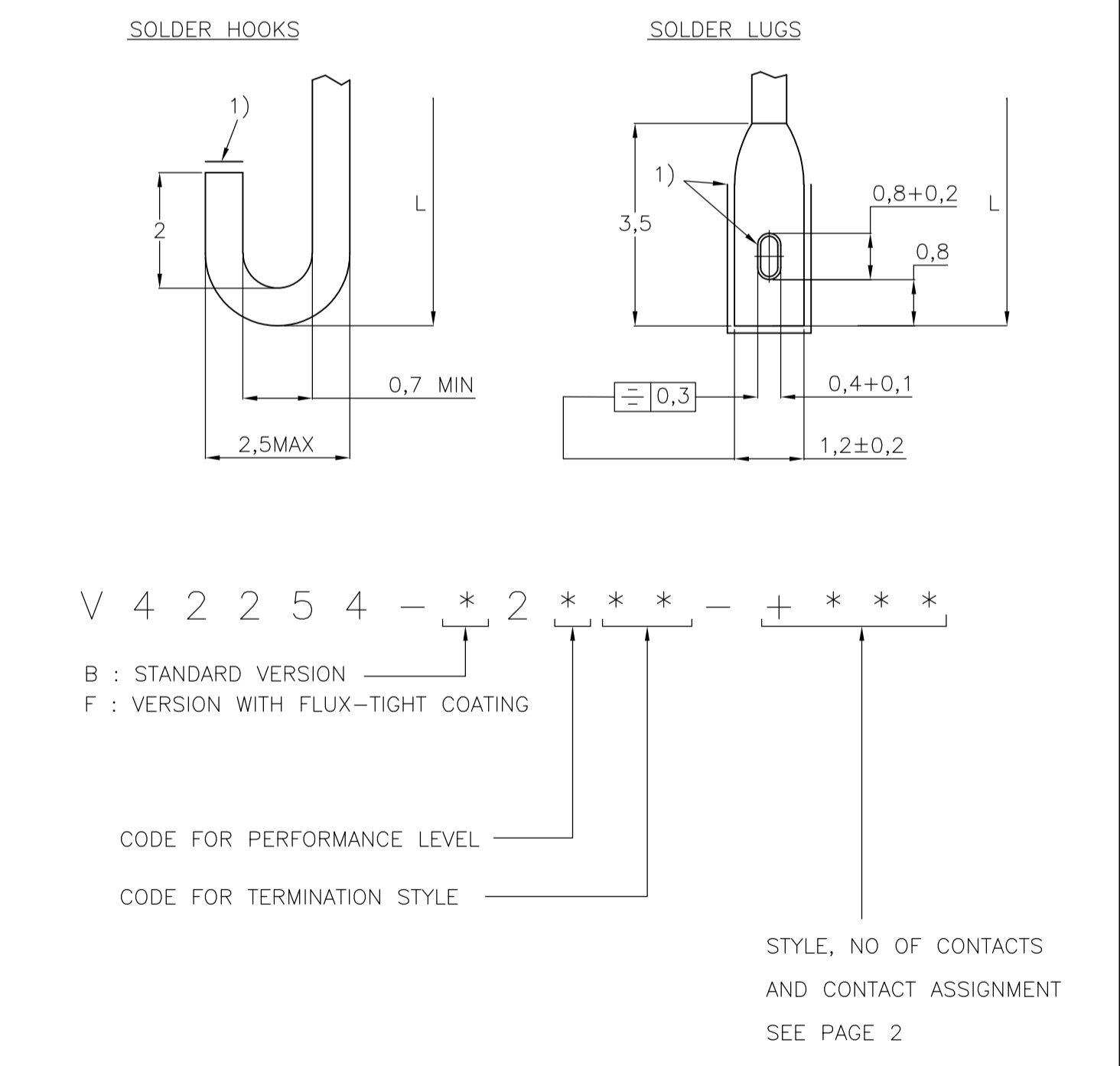
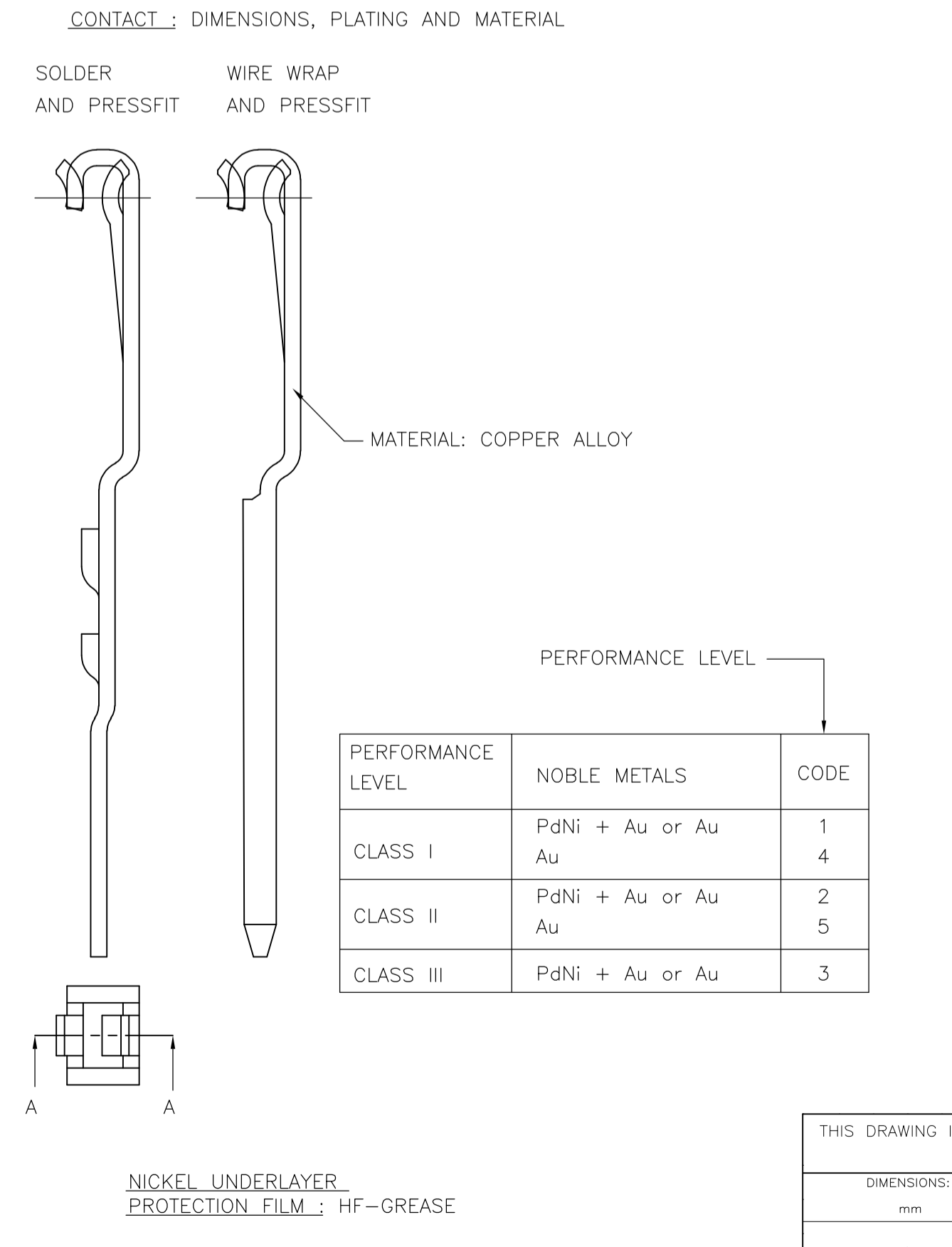
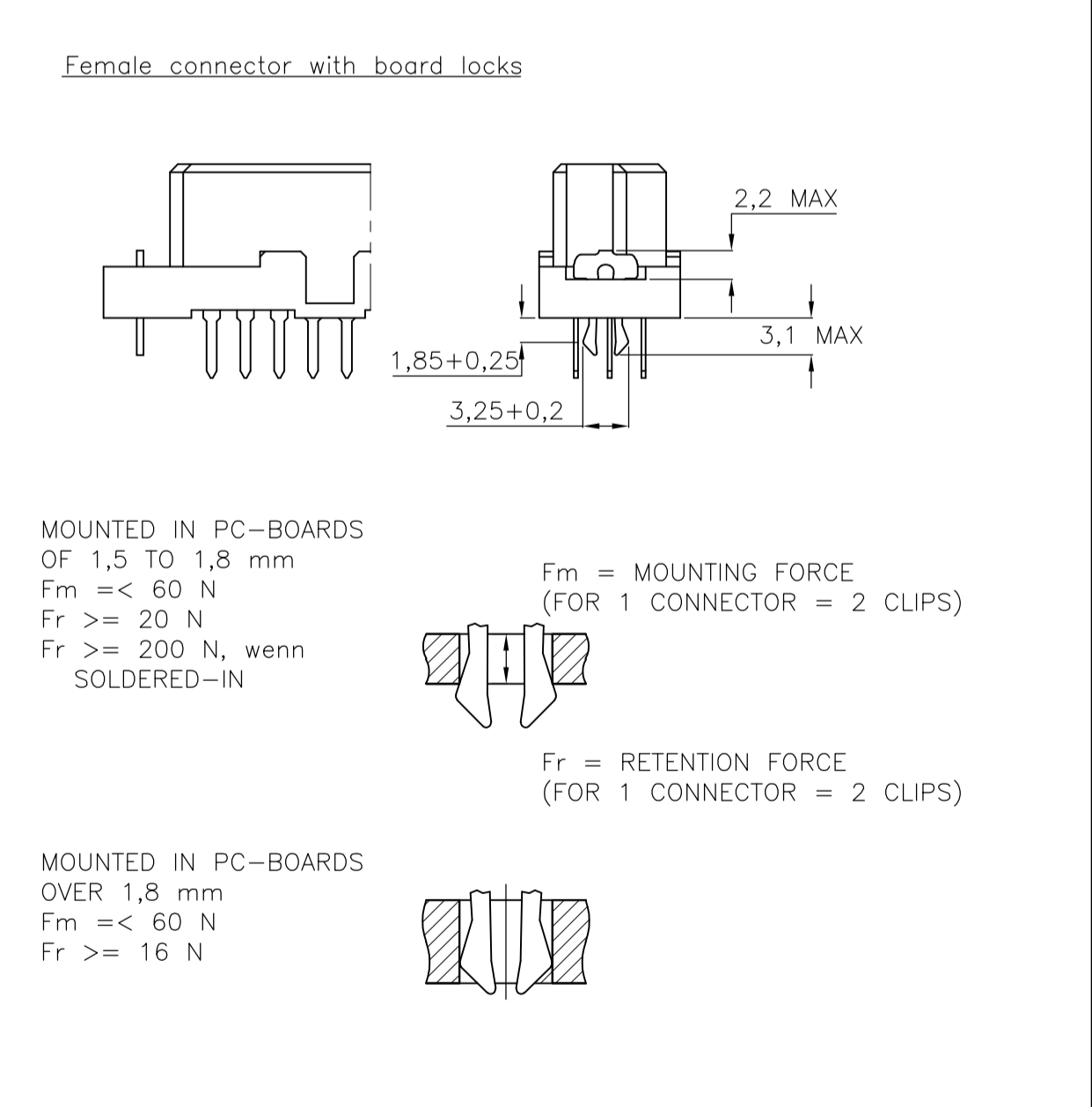
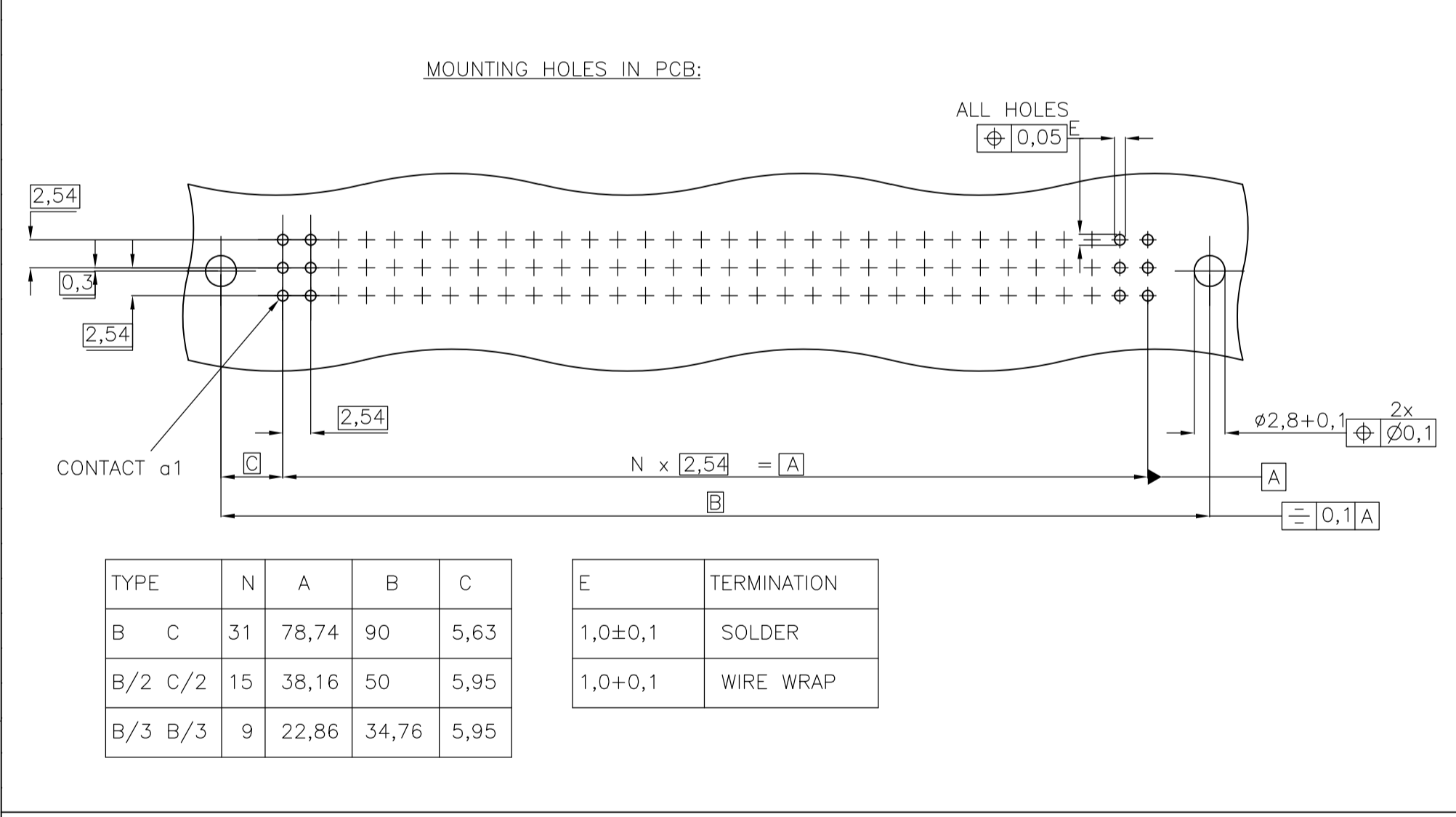
- Brand = AMP



REVISONS		DATE	DWN	APVD
F	LTR	DESCRIPTION		
B11	REV PER	ECO-12-006572	14JAN2013	BC RP



TERMINATION STYLES		L	CODE
SOLDER	SOLDER	2,9±0,3	01
		3,7±0,3	05
		4,5±0,3	02
SOLDER	SOLDER	6±0,3	03
		7,3±0,3	04
WIRE WRAP	WIRE WRAP	13±0,5	40
SOLDER	SOLDER	5,5±0,3	30
		10±0,5	
SOLDER	SOLDER	5,5±0,3	35
		10-0,5	
SOLDER	SOLDER	1,55-0,4	00
		3-0,4	
SOLDER	SOLDER	13±0,5	TERMINATION WITH SN
		17±0,5	
		4±0,5	
		13±0,5	
		17±0,5	
		6±0,5	
		6±0,5	



THIS DRAWING IS A CONTROLLED DOCUMENT.		DIN CUVELIER 14FEB89	TE Connectivity
DIMENSIONS: mm	TOLERANCES UNLESS OTHERWISE SPECIFIED:	APVD	NAME
0 PLC ± -	1 PLC ± -	PRODUCT SPEC	RECEPTACLE ASSEMBLY EUROCARD TYPES B,C AND SHORT VERSIONS (PN:V42254-B2***-C***-7626)
2 PLC ± -	3 PLC ± -	APPLICATION SPEC	SIZE A1
4 PLC ± -	ANGLES ± -	WEIGHT	CAGE CODE DRAWING NO 00779
MATERIAL	FINISH	CUSTOMER DRAWING	SCALE NTS SHEET 1 OF 2 REV B11

LOC	DIST	REVISIONS					
AD	00	F	LTR	DESCRIPTION	DATE	DWN	APVD
		-	-	SEE SHEET 1	-	-	-

PRODUCT DESCRIPTION CODE	TE PN	STYLE & NUMBER OF POSITIONS	TERMINATION POSTS	LOADED ROWS	PERFORMANCE LEVEL	BOARD LOCKS
V42254-B2100-C960	1393640-1	C96	RIGHT-ANGLE SOLDER LEADS	EVERY ROW , EVERY PITCH	1	NO
V42254-B2101-B640	1393640-4	B64	2,9mm STRAIGHT SOLDER LEADS	EVERY ROW , EVERY PITCH	1	NO
V42254-B2101-B645	1393640-5	B64	2,9mm STRAIGHT SOLDER LEADS	EVERY ROW , EVERY EVEN PITCH	1	NO
V42254-B2101-C300	1393640-6	C30	2,9mm STRAIGHT SOLDER LEADS	EVERY ROW , EVERY PITCH	1	NO
V42254-B2101-C480	1393640-7	C48	2,9mm STRAIGHT SOLDER LEADS	EVERY ROW , EVERY PITCH	1	NO
V42254-B2101-C483	1393640-8	C48	2,9mm STRAIGHT SOLDER LEADS	ROW A+C , EVERY PITCH	1	NO
V42254-B2101-C910	3-1392009-9	C96	2,9mm STRAIGHT SOLDER LEADS	EVERY ROW , EVERY PITCH	1	YES
V42254-B2101-C960	1393640-9	C96	2,9mm STRAIGHT SOLDER LEADS	EVERY ROW , EVERY PITCH	1	NO
V42254-B2101-C963	1-1393640-0	C96	2,9mm STRAIGHT SOLDER LEADS	ROW A+C , EVERY PITCH	1	NO
V42254-B2101-C968	1-1393640-1	C96	2,9mm STRAIGHT SOLDER LEADS	ROW A+C , EVERY EVEN PITCH	1	NO
V42254-B2102-B200	1-1393640-5	B20	4,5mm STRAIGHT SOLDER LEADS	EVERY ROW , EVERY PITCH	1	NO
V42254-B2102-B320	1-1393640-6	B32	4,5mm STRAIGHT SOLDER LEADS	EVERY ROW , EVERY PITCH	1	NO
V42254-B2102-B640	1-1393640-7	B64	4,5mm STRAIGHT SOLDER LEADS	EVERY ROW , EVERY PITCH	1	NO
V42254-B2102-B641	1-1393640-8	B64	4,5mm STRAIGHT SOLDER LEADS	ROW A , EVERY PITCH	1	NO
V42254-B2102-C303	2-1393640-0	C30	4,5mm STRAIGHT SOLDER LEADS	ROW A+C , EVERY PITCH	1	NO
V42254-B2102-C480	2-1393640-1	C48	4,5mm STRAIGHT SOLDER LEADS	EVERY ROW , EVERY PITCH	1	NO
V42254-B2102-C910	2-1393640-3	C96	4,5mm STRAIGHT SOLDER LEADS	EVERY ROW , EVERY PITCH	1	YES
V42254-B2102-C960	2-1393640-4	C96	4,5mm STRAIGHT SOLDER LEADS	EVERY ROW , EVERY PITCH	1	NO
V42254-B2102-C963	2-1393640-5	C96	4,5mm STRAIGHT SOLDER LEADS	ROW A+C , EVERY PITCH	1	NO
V42254-B2102-C968	2-1393640-6	C96	4,5mm STRAIGHT SOLDER LEADS	ROW A+C , EVERY EVEN PITCH	1	NO
V42254-B2103-B640	3-1393640-3	B64	6,3mm STRAIGHT SOLDER LEADS	EVERY ROW , EVERY PITCH	1	NO
V42254-B2103-C960	3-1393640-4	C96	6,3mm STRAIGHT SOLDER LEADS	EVERY ROW , EVERY PITCH	1	NO
V42254-B2104-C960	3-1393640-5	C96	7,3mm STRAIGHT SOLDER LEADS	EVERY ROW , EVERY PITCH	1	NO
V42254-B2110-B640	3-1393640-7	B64	RIGHT-ANGLE SOLDER LEADS WITH MOUNTING BRACKET	EVERY ROW , EVERY PITCH	1	NO
V42254-B2110-C960	3-1393640-8	C96	RIGHT-ANGLE SOLDER LEADS WITH MOUNTING BRACKET	EVERY ROW , EVERY PITCH	1	NO
V42254-B2110-C960N	3-1393640-9	C96	RIGHT-ANGLE SOLDER LEADS WITH MOUNTING BRACKET	EVERY ROW , EVERY PITCH	1	NO
V42254-B2110-C963	4-1393640-0	C96	RIGHT-ANGLE SOLDER LEADS WITH MOUNTING BRACKET	ROW A+C , EVERY PITCH	1	NO
V42254-B2130-B641	4-1393640-6	B64	5,5 10mm SOLDER HOOKS	ROW A , EVERY PITCH	1	NO
V42254-B2135-B640	4-1393640-7	B64	5,5 10mm SOLDER LUGS	EVERY ROW , EVERY PITCH	1	NO
V42254-B2135-B641	4-1393640-8	B64	5,5 10mm SOLDER LUGS	ROW A , EVERY PITCH	1	NO
V42254-B2135-C960	5-1393640-0	C96	5,5 10mm SOLDER LUGS	EVERY ROW , EVERY PITCH	1	NO
V42254-B2135-C963	5-1393640-1	C96	5,5 10mm SOLDER LUGS	ROW A+C , EVERY PITCH	1	NO
V42254-B2140-B640	5-1393640-8	B64	13mm STRAIGHT WIRE-WRAP PINS	EVERY ROW , EVERY PITCH	1	NO
V42254-B2140-C960	6-1393640-0	C96	13mm STRAIGHT WIRE-WRAP PINS	EVERY ROW , EVERY PITCH	1	NO
V42254-B2140-C963	6-1393640-1	C96	13mm STRAIGHT WIRE-WRAP PINS	ROW A+C , EVERY PITCH	1	NO
V42254-B2200-C960	7-1393640-0	C96	RIGHT-ANGLE SOLDER LEADS	EVERY ROW , EVERY PITCH	2	NO
V42254-B2200-C963	7-1393640-1	C96	RIGHT-ANGLE SOLDER LEADS	ROW A+C , EVERY PITCH	2	NO
V42254-B2201-B200	7-1393640-2	B20	2,9mm STRAIGHT SOLDER LEADS	EVERY ROW , EVERY PITCH	2	NO
V42254-B2201-B310	7-1393640-3	B32	2,9mm STRAIGHT SOLDER LEADS	EVERY ROW , EVERY PITCH	2	YES
V42254-B2201-B320	7-1393640-4	B32	2,9mm STRAIGHT SOLDER LEADS	EVERY ROW , EVERY PITCH	2	NO
V42254-B2201-B325	7-1393640-5	B32	2,9mm STRAIGHT SOLDER LEADS	EVERY ROW , EVERY EVEN PITCH	2	NO
V42254-B2201-B640	7-1393640-8	B64	2,9mm STRAIGHT SOLDER LEADS	EVERY ROW , EVERY PITCH	2	NO
V42254-B2201-B641	7-1393640-9	B64	2,9mm STRAIGHT SOLDER LEADS	ROW A , EVERY PITCH	2	NO
V42254-B2201-C300	8-1393640-0	C30	2,9mm STRAIGHT SOLDER LEADS	EVERY ROW , EVERY PITCH	2	NO
V42254-B2201-C313	8-1393640-2	C30	2,9mm STRAIGHT SOLDER LEADS	ROW A+C , EVERY PITCH	2	YES
V42254-B2201-C410	8-1393640-3	C48	2,9mm STRAIGHT SOLDER LEADS	EVERY ROW , EVERY PITCH	2	YES
V42254-B2201-C413	8-1393640-4	C48	2,9mm STRAIGHT SOLDER LEADS	ROW A+C , EVERY PITCH	2	YES
V42254-B2201-C480	8-1393640-5	C48	2,9mm STRAIGHT SOLDER LEADS	EVERY ROW , EVERY PITCH	2	NO
V42254-B2201-C483	8-1393640-6	C48	2,9mm STRAIGHT SOLDER LEADS	ROW A+C , EVERY PITCH	2	NO
V42254-B2201-C485	8-1393640-7	C48	2,9mm STRAIGHT SOLDER LEADS	EVERY ROW , EVERY EVEN PITCH	2	NO
V42254-B2201-C488	8-1393640-8	C48	2,9mm STRAIGHT SOLDER LEADS	ROW A+C , EVERY EVEN PITCH	2	NO
V42254-B2201-C910	8-1393640-9	C96	2,9mm STRAIGHT SOLDER LEADS	EVERY ROW , EVERY PITCH	2	YES
V42254-B2201-C913	9-1393640-0	C96	2,9mm STRAIGHT SOLDER LEADS	ROW A+C , EVERY PITCH	2	YES
V42254-B2201-C960	9-1393640-2	C96	2,9mm STRAIGHT SOLDER LEADS	EVERY ROW , EVERY PITCH	2	NO
V42254-B2201-C963	9-1393640-3	C96	2,9mm STRAIGHT SOLDER LEADS	ROW A+C , EVERY PITCH	2	NO
V42254-B2201-C965	9-1393640-4	C96	2,9mm STRAIGHT SOLDER LEADS	EVERY ROW , EVERY EVEN PITCH	2	NO
V42254-B2201-C968	9-1393640-5	C96	2,9mm STRAIGHT SOLDER LEADS	ROW A+C , EVERY EVEN PITCH	2	NO
V42254-B2202-B200	1-1393641-0	B20	4,5mm STRAIGHT SOLDER LEADS	EVERY ROW , EVERY PITCH	2	NO
V42254-B2202-B320	1-1393641-1	B32	4,5mm STRAIGHT SOLDER LEADS	EVERY ROW , EVERY PITCH	2	NO
V42254-B2202-B321	1-1393641-2	B32	4,5mm STRAIGHT SOLDER LEADS	ROW A , EVERY PITCH	2	NO
V42254-B2202-B640	1-1393641-4	B64	4,5mm STRAIGHT SOLDER LEADS	EVERY ROW , EVERY PITCH	2	NO
V42254-B2202-B640N	1-1393641-5	B64	4,5mm STRAIGHT SOLDER LEADS	EVERY ROW , EVERY PITCH	2	NO
V42254-B2202-B641	1-1393641-6	B64	4,5mm STRAIGHT SOLDER LEADS	ROW A , EVERY PITCH	2	NO
V42254-B2202-B641N	1-1393641-7	B64	4,5mm STRAIGHT SOLDER LEADS	ROW A , EVERY PITCH	2	NO
V42254-B2202-B645	1-1393641-8	B64	4,5mm STRAIGHT SOLDER LEADS	EVERY ROW , EVERY EVEN PITCH	2	NO
V42254-B2202-C300	2-1393641-0	C30	4,5mm STRAIGHT SOLDER LEADS	EVERY ROW , EVERY PITCH	2	NO
V42254-B2202-C303	2-1393641-1	C30	4,5mm STRAIGHT SOLDER LEADS	ROW A+C , EVERY PITCH	2	NO
V42254-B2202-C310	2-1393641-2	C30	4,5mm STRAIGHT SOLDER LEADS	EVERY ROW , EVERY PITCH	2	NO
V42254-B2202-C410	2-1393641-3	C48	4,5mm STRAIGHT SOLDER LEADS	EVERY ROW , EVERY PITCH	2	YES
V42254-B2202-C413	2-1393641-4	C48	4,5mm STRAIGHT SOLDER LEADS	ROW A+C , EVERY PITCH	2	YES
V42254-B2202-C480	2-1393641-5	C48	4,5mm STRAIGHT SOLDER LEADS	EVERY ROW , EVERY PITCH	2	NO
V42254-B2202-C483	2-1393641-6	C48	4,5mm STRAIGHT SOLDER LEADS	ROW A+C , EVERY PITCH	2	NO
V42254-B2202-C910	2-1393641-7	C96	4,5mm STRAIGHT SOLDER LEADS	EVERY ROW , EVERY PITCH	2	YES
V42254-B2202-C913	2-1393641-8	C96	4,5mm STRAIGHT SOLDER LEADS	ROW A+C , EVERY PITCH	2	YES
V42254-B2202-C918	3-1393641-0	C96	4,5mm STRAIGHT SOLDER LEADS	ROW A+C , EVERY EVEN PITCH	2	NO
V42254-B2202-C960	3-1393641-1	C96	4,5mm STRAIGHT SOLDER LEADS	EVERY ROW , EVERY PITCH	2	NO
V42254-B2202-C960B	3-1393641-2	C96	4,5mm STRAIGHT SOLDER LEADS	EVERY ROW , EVERY PITCH	2	NO
V42254-B2202-C960N	3-1393641-3	C96	4,5mm STRAIGHT SOLDER LEADS	EVERY ROW , EVERY PITCH	2	NO
V42254-B2202-C963	3-1393641-5	C96	4,5mm STRAIGHT SOLDER LEADS	ROW A+C , EVERY PITCH	2	NO
V42254-B2202-C963B	3-1393641-6	C96	4,5mm STRAIGHT SOLDER LEADS	ROW A+C , EVERY PITCH	2	NO
V42254-B2202-C963N	3-1393641-7	C96	4,5mm STRAIGHT SOLDER LEADS	ROW A+C , EVERY PITCH	2	NO
V42254-B2202-C965	3-1393641-8	C96	4,5mm STRAIGHT SOLDER LEADS	EVERY ROW , EVERY EVEN PITCH	2	NO
V42254-B2202-C968	3-1393641-9	C96	4,5mm STRAIGHT SOLDER LEADS	ROW A+C , EVERY EVEN PITCH	2	NO
V42254-B2202-C968N	4-1393641-0	C96	4,5mm STRAIGHT SOLDER LEADS	ROW A+C , EVERY EVEN PITCH	2	NO
V42254-B2204-B640	6-1393641-7	B64	7,3mm STRAIGHT SOLDER LEADS	EVERY ROW , EVERY PITCH	2	NO
V42254-B2204-C960	6-1393641-8	C96	7,3mm STRAIGHT SOLDER LEADS	EVERY ROW , EVERY PITCH	2	NO
V42254-B2204-C963	6-1393641-9	C96	7,3mm STRAIGHT SOLDER LEADS	ROW A+C , EVERY PITCH	2	NO
V42254-B2205-C960	7-1393641-0	C96	7,3mm STRAIGHT SOLDER LEADS	EVERY ROW , EVERY PITCH	2	NO
V42254-B2210-B320	7-1393641-2	B32	RIGHT-ANGLE SOLDER LEADS WITH MOUNTING BRACKET	EVERY ROW , EVERY PITCH	2	NO
V42254-B2210-B640	7-1393641-3	B64	RIGHT-ANGLE SOLDER LEADS WITH MOUNTING BRACKET	EVERY ROW , EVERY PITCH	2	NO
V42254-B2210-C480	7-1393641-5	C48	RIGHT-ANGLE SOLDER LEADS WITH MOUNTING BRACKET	EVERY ROW , EVERY PITCH	2	NO
V42254-B2210-C483	7-1393641-6	C48	RIGHT-ANGLE SOLDER LEADS WITH MOUNTING BRACKET	ROW A+C , EVERY PITCH	2	NO
V42254-B2210-C960	7-1393641-7	C96	RIGHT-ANGLE SOLDER LEADS WITH MOUNTING BRACKET	EVERY ROW , EVERY PITCH	2	NO
V42254-B2210-C963	7-1393641-8	C96	RIGHT-ANGLE SOLDER LEADS WITH MOUNTING BRACKET	ROW A+C , EVERY PITCH	2	NO
V42254-B2210-C968	7-1393641-9	C96	RIGHT-ANGLE SOLDER LEADS WITH MOUNTING BRACKET	ROW A+C , EVERY EVEN PITCH	2	NO
V42254-B2230-C960	8-1393641-5	C96	5,5 10mm SOLDER HOOKS	EVERY ROW , EVERY PITCH	2	NO
V42254-B2230-C963	8-1393641-6	C96	5,5 10mm SOLDER HOOKS	ROW A+C , EVERY PITCH	2	NO
V42254-B2235-B640	8-1393641-8	B64	5,5 10mm SOLDER LUGS	EVERY ROW , EVERY PITCH	2	NO
V42254-B2235-C480	9-1393641-0	C48	5,5 10mm SOLDER LUGS	EVERY ROW , EVERY PITCH	2	NO
V42254-B2235-C483	9-1393641-1	C48	5,5 10mm SOLDER LUGS	ROW A+C , EVERY PITCH	2	NO
V42254-B2235-C488	9-1393641-2	C48	5,5 10mm SOLDER LUGS	ROW A+C , EVERY EVEN PITCH	2	NO
V42254-B2235-C960	9-1393641-3	C96	5,5 10mm SOLDER LUGS	EVERY ROW , EVERY PITCH	2	NO
V42254-B2235-C963	9-1393641-4	C96	5,5 10mm SOLDER LUGS	ROW A+C , EVERY PITCH	2	NO
V42254-B2235-C965	9-1393641-5	C96	5,5 10mm SOLDER LUGS	EVERY ROW , EVERY EVEN PITCH	2	NO
V42254-B2235-C968	9-1393641-6	C96	5,5 10mm SOLDER LUGS	ROW A+C , EVERY EVEN PITCH	2	NO
V42254-B2240-B200	1393642-1	B20	13mm STRAIGHT WIRE-WRAP PINS	EVERY ROW , EVERY PITCH	2	NO
V42254-B2240-B320	1393642-2	B32	13mm STRAIGHT WIRE-WRAP PINS	EVERY ROW , EVERY PITCH	2	NO
V42254-B2240-B640	1393642-3	B64	13mm STRAIGHT WIRE-WRAP PINS	EVERY ROW , EVERY PITCH	2	NO
V42254-B2240-B640N	1393642-4	B64	13mm STRAIGHT WIRE-WRAP PINS	EVERY ROW , EVERY PITCH	2	NO
V42254-B2240-C300	1393642-7	C30	13mm STRAIGHT WIRE-WRAP PINS	EVERY ROW , EVERY PITCH	2	NO
V42254-B2240-C303	1393642-8	C30	13mm STRAIGHT WIRE-WRAP PINS	ROW A+C , EVERY PITCH	2	NO
V42254-B2240-C480	1393642-9	C48	13mm STRAIGHT WIRE-WRAP PINS	EVERY ROW , EVERY PITCH	2	NO
V42254-B2240-C483	1-1393642-0	C48	13mm STRAIGHT WIRE-WRAP PINS	ROW A+C , EVERY PITCH	2	NO
V42254-B2240-C960	1-1393642-1	C96	13mm STRAIGHT WIRE-WRAP PINS	EVERY ROW , EVERY PITCH	2	NO
V42254-B2240-C960B	1-1393642-2	C96	13mm STRAIGHT WIRE-WRAP PINS	EVERY ROW , EVERY PITCH	2	NO
V42254-B2240-C960N	1-1393642-3	C96	13mm STRAIGHT WIRE-WRAP PINS	EVERY ROW , EVERY PITCH	2	NO
V42254-B2240-C961B	1-1393642-4	C96	13mm STRAIGHT WIRE-WRAP PINS	ROW A , EVERY PITCH	2	NO
V42254-B2240-C962	1-1393642-5	C96	13mm STRAIGHT WIRE-WRAP PINS	ROW A+B , EVERY PITCH	2	NO
V42254-B2240-C963	1-1393642-6	C96	13mm STRAIGHT WIRE-WRAP PINS	ROW A+C , EVERY PITCH	2	NO
V42254-B2240-C963N	1-1393642-7	C96	13mm STRAIGHT WIRE-WRAP PINS	ROW A+C , EVERY PITCH	2	NO
V42254-B2240-C965	1-1393642-8	C96	13mm STRAIGHT WIRE-WRAP PINS	EVERY ROW , EVERY EVEN PITCH	2	NO
V42254-B2240-C968	1-1393642-9	C96	13mm STRAIGHT WIRE-WRAP PINS	ROW A+C , EVERY EVEN PITCH	2	NO
V42254-B2240-C968N	2-1393642-1	C96	13mm STRAIGHT WIRE-WRAP PINS	ROW A+C , EVERY EVEN PITCH	2	NO
V42254-B2302-B640	6-1393642-6	B64	4,5mm STRAIGHT SOLDER LEADS	EVERY ROW , EVERY PITCH	3	NO
V42254-B2302-C913	6-1393642-7	C96	4,5mm STRAIGHT SOLDER LEADS	ROW A+C , EVERY PITCH	3	YES
V42254-B2302-C960	6-1393642-8	C96	4,5mm STRAIGHT SOLDER LEADS	EVERY ROW , EVERY PITCH	3	NO
V42254-B2302-C963	6-1393642-9	C96	4,5mm STRAIGHT SOLDER LEADS	ROW A+C , EVERY PITCH	3	NO
V42254-F2101-C480	8-1393642-9	C48	2,9mm STRAIGHT SOLDER LEADS	EVERY ROW , EVERY PITCH	1	NO
V42254-F2102-B640	9-1393642-0	B64	4,5mm STRAIGHT SOLDER LEADS	EVERY ROW , EVERY PITCH	1	NO
V42254-F2201-C310	9-1393642-1	C30	2,9mm STRAIGHT SOLDER LEADS	EVERY ROW , EVERY PITCH	2	YES
V42254-F2201-C480	9-1393642-3	C48	2,9mm STRAIGHT SOLDER LEADS	EVERY ROW , EVERY PITCH	2	NO
V42254-F2201-C910	9-1393642-4	C96	2,9mm STRAIGHT SOLDER LEADS	EVERY ROW , EVERY PITCH	2	YES
V42254-F2201-C913	9-1393642-5	C96	2,9mm STRAIGHT SOLDER LEADS	ROW A+C , EVERY PITCH	2	YES
V42254-F2201-C960	9-1393642-6	C96	2,9mm STRAIGHT SOLDER LEADS	EVERY ROW , EVERY PITCH	2	NO
V42254-F2201-C963	9-1393642-7	C96	2,9mm STRAIGHT SOLDER LEADS	ROW A+C , EVERY PITCH	2	NO
V42254-F2202-C480	9-1393642-8	C48	4,5mm STRAIGHT SOLDER LEADS	EVERY ROW , EVERY PITCH	2	NO
V42254-F2202-C960	9-1393642-9	C96	4,5mm STRAIGHT SOLDER LEADS	EVERY ROW , EVERY PITCH	2	NO
V42254-F2202-C965	0-1393643-1	C96	4,5			