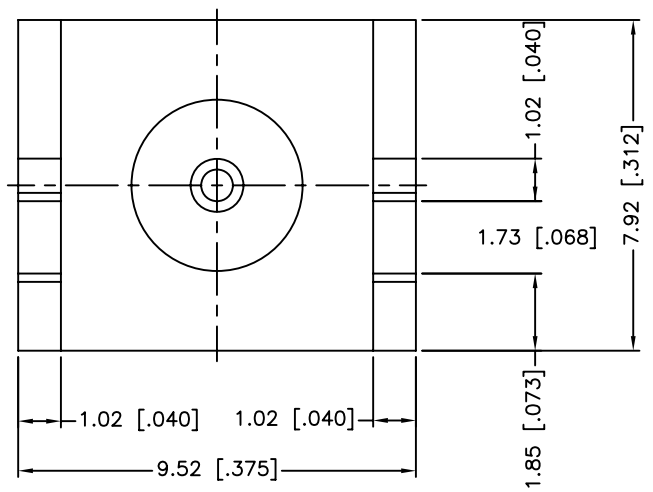
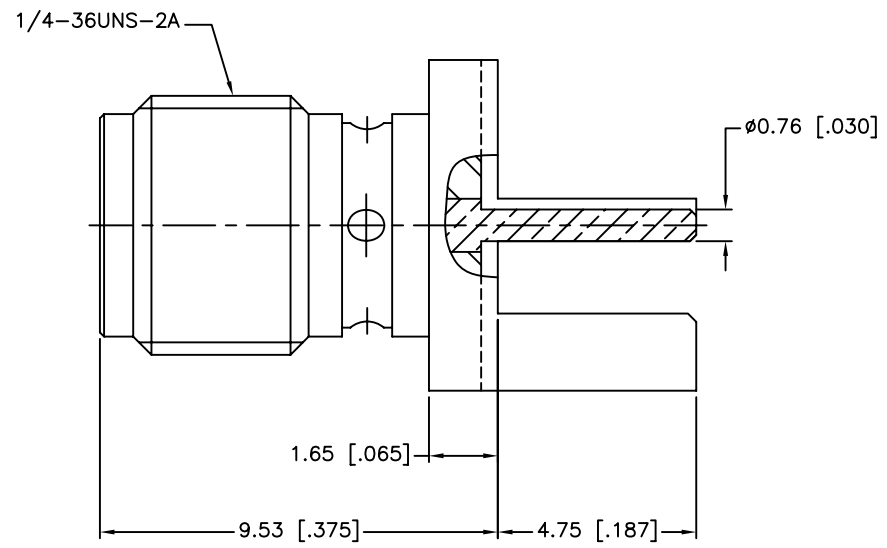
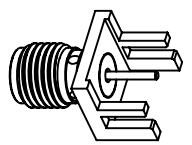
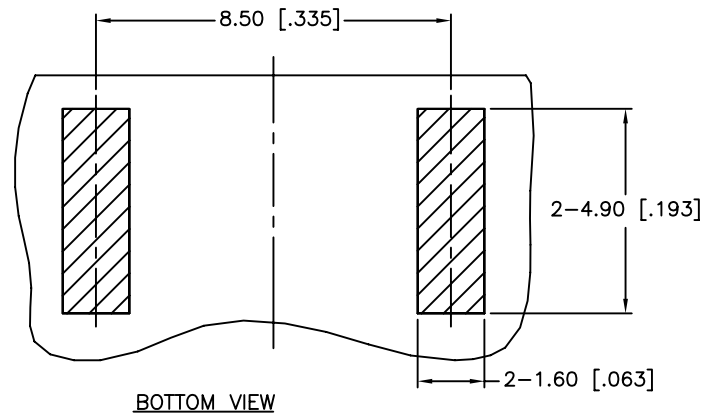
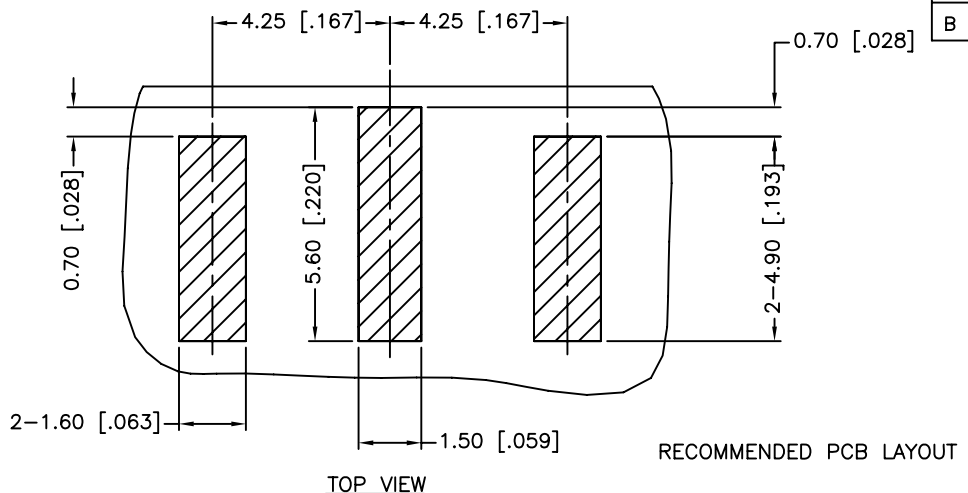


REV.	DATE	ECR NO.	DESCRIPTION
NC	10/29/98	XXXXXX	INITIAL RELEASE
A	08/13/06	XXXXXX	UPDATE DRAWING FORMAT
B	07/29/11	2208	ADD PCB LAYOUT AND NOTES



1. IMPEDANCE: 50 OHM
2. FREQUENCY RANGE: DC 0-18 GHZ
3. VSWR: 1.3 MAX.
4. DIELECTRIC WITHSTANDING VOLTAGE: 1000 VRMS, MIN.
5. BOARD THICKNESS=1.57 MM [.062"]

UNLESS OTHERWISE SPECIFIED DIMENSIONS ARE IN MILLIMETERS. DIMENSIONS IN [] ARE IN INCHES AND FOR CUSTOMER REFERENCE ONLY.

UNLESS OTHERWISE SPECIFIED TOLERANCES FOR MILLIMETERS ARE:
0.5 - 8mm ± 0.20mm
8 - 30mm ± 0.40mm
30 - 120mm ± 0.50mm

UNLESS OTHERWISE SPECIFIED TOLERANCES FOR INCHES ARE:
.020 - .315 = ± 0.007"
.315 - 1.180 = ± 0.015"
1.180 - 4.724 = ± 0.020"

DO NOT SCALE DRAWING

APPROVALS		DATE
DRAWN	M.ZHANG	07/29/11
CHECKED		
ISSUED		
SHEET	1 OF 1	
CAD FILE	C:/CONNEX/132255.DWG	

Amphenol Connex

PART DESCRIPTION			
SMA END LAUNCH RECEPT. JACK, RIBBED FLANGE (.062" BOARD THICKNESS)			
PART NO.		132255	
DWG. NO.	132255.DWG	REV.	B
SIZE	A	SCALE	NA

DESCRIPTION	MATERIAL	FINISH	QTY
3 CONTACT PIN	BER. COPPER	GOLD	1
2 INSULATOR	PTFE	NATURAL	1
1 BODY	BRASS	GOLD	1