

## 2.5-W MONO FILTER-FREE CLASS-D AUDIO POWER AMPLIFIER

### FEATURES

- **Maximum Battery Life and Minimum Heat**
  - Efficiency With an 8-Ω Speaker:
    - 88% at 400 mW
    - 80% at 100 mW
  - 2.8-mA Quiescent Current
  - 0.5-μA Shutdown Current
- **Only Three External Components**
  - Optimized PWM Output Stage Eliminates LC Output Filter
  - Internally Generated 250-kHz Switching Frequency Eliminates Capacitor and Resistor
  - Improved PSRR (–75 dB) and Wide Supply Voltage (2.5 V to 5.5 V) Eliminates Need for a Voltage Regulator
  - Fully Differential Design Reduces RF Rectification and Eliminates Bypass Capacitor
  - Improved CMRR Eliminates Two Input Coupling Capacitors
- **Wafer Chip Scale Packaging (WCSP)**
  - NanoFree™ Lead-Free (YZF)
  - NanoStar™ SnPb (YEF)

### APPLICATIONS

- Wireless or Cellular Handsets and PDAs
- Personal Navigation Devices
- General Portable Audio Devices
- Linear Vibrator Drivers

### SEE ALSO

- [TPA2032D1](#), [TPA2033D1](#), [TPA2034D1](#)

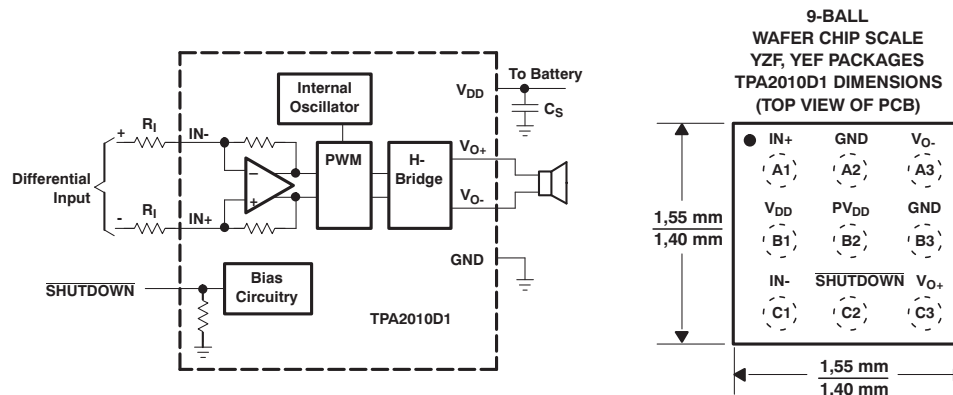
### DESCRIPTION

The TPA2010D1 (sometimes referred to as TPA2010) is a 2.5-W high efficiency filter-free class-D audio power amplifier (class-D amp) in a 1,45 mm × 1,45 mm wafer chip scale package (WCSP) that requires only three external components.

Features like 88% efficiency, –75-dB PSRR, improved RF-rectification immunity, and 8 mm<sup>2</sup> total PCB area make the TPA2010D1 (TPA2010) class-D amp ideal for cellular handsets. A fast start-up time of 1 ms with minimal pop makes the TPA2010D1 (TPA2010) ideal for PDA applications.

In cellular handsets, the earpiece, speaker phone, and melody ringer can each be driven by the TPA2010D1. The TPA2010D1 allows independent gain while summing signals from separate sources, and has a low 36 μV noise floor, A-weighted.

### APPLICATION CIRCUIT



Note: Pin A1 is marked with a "0" for Pb-free (YZF) and a "1" for SnPb (YEF).



Please be aware that an important notice concerning availability, standard warranty, and use in critical applications of Texas Instruments semiconductor products and disclaimers thereto appears at the end of this data sheet.

NanoFree, NanoStar are trademarks of Texas Instruments.



These devices have limited built-in ESD protection. The leads should be shorted together or the device placed in conductive foam during storage or handling to prevent electrostatic damage to the MOS gates.

## ORDERING INFORMATION

T <sub>A</sub>	PACKAGE	PART NUMBER	SYMBOL
–40°C to 85°C	Wafer chip scale package (YEF)	TPA2010D1YEF <sup>(1)</sup>	AJZ
	Wafer chip scale packaging – Lead free (YZF)	TPA2010D1YZF <sup>(1)</sup>	AKO

(1) The YEF and YZF packages are only available taped and reeled. To order add the suffix *R* to the end of the part number for a reel of 3000, or add the suffix *T* to the end of the part number for a reel of 250 (e.g. TPA2010D1YEFRT).

## ABSOLUTE MAXIMUM RATINGS

over operating free-air temperature range unless otherwise noted<sup>(1)</sup>

		TPA2010D1	
V <sub>DD</sub>	Supply voltage	In active mode	–0.3 V to 6 V
		In <b>SHUTDOWN</b> mode	–0.3 V to 7 V
V <sub>I</sub>	Input voltage	–0.3 V to V <sub>DD</sub> + 0.3 V	
Continuous total power dissipation		See Dissipation Rating Table	
T <sub>A</sub>	Operating free-air temperature	–40°C to 85°C	
T <sub>J</sub>	Operating junction temperature	–40°C to 150°C	
T <sub>stg</sub>	Storage temperature	–65°C to 150°C	
Lead temperature 1,6 mm (1/16 inch) from case for 10 seconds	YZF	260°C	
	YEF	235°C	

(1) Stresses beyond those listed under *absolute maximum ratings* may cause permanent damage to the device. These are stress ratings only, and functional operation of the device at these or any other conditions beyond those indicated under *recommended operating conditions* is not implied. Exposure to absolute-maximum-rated conditions for extended periods may affect device reliability.

## RECOMMENDED OPERATING CONDITIONS

			MIN	NOM	MAX	UNIT
V <sub>DD</sub>	Supply voltage		2.5		5.5	V
V <sub>IH</sub>	High-level input voltage	<b>SHUTDOWN</b>	1.3		V <sub>DD</sub>	V
V <sub>IL</sub>	Low-level input voltage	<b>SHUTDOWN</b>	0		0.35	V
R <sub>I</sub>	Input resistor	Gain ≤ 20 V/V (26 dB)	15			kΩ
V <sub>IC</sub>	Common mode input voltage range	V <sub>DD</sub> = 2.5 V, 5.5 V, CMRR ≤ –49 dB	0.5		V <sub>DD</sub> –0.8	V
T <sub>A</sub>	Operating free-air temperature		–40		85	°C

## PACKAGE DISSIPATION RATINGS

PACKAGE	DERATING FACTOR <sup>(1)</sup>	T <sub>A</sub> ≤ 25°C POWER RATING	T <sub>A</sub> = 70°C POWER RATING	T <sub>A</sub> = 85°C POWER RATING
YEF	7.8 mW/°C	780 mW	429 mW	312 mW
YZF	7.8 mW/°C	780 mW	429 mW	312 mW

(1) Derating factor measure with High K board.

## ELECTRICAL CHARACTERISTICS

 $T_A = 25^\circ\text{C}$  (unless otherwise noted)

PARAMETER		TEST CONDITIONS	MIN	TYP	MAX	UNIT
$ V_{OS} $	Output offset voltage (measured differentially)	$V_I = 0\text{ V}$ , $A_V = 2\text{ V/V}$ , $V_{DD} = 2.5\text{ V to }5.5\text{ V}$		1	25	mV
PSRR	Power supply rejection ratio	$V_{DD} = 2.5\text{ V to }5.5\text{ V}$		-75	-55	dB
CMRR	Common mode rejection ratio	$V_{DD} = 2.5\text{ V to }5.5\text{ V}$ , $V_{IC} = V_{DD}/2\text{ to }0.5\text{ V}$ , $V_{IC} = V_{DD}/2\text{ to }V_{DD}-0.8\text{ V}$		-68	-49	dB
$ I_{IH} $	High-level input current	$V_{DD} = 5.5\text{ V}$ , $V_I = 5.8\text{ V}$			100	$\mu\text{A}$
$ I_{IL} $	Low-level input current	$V_{DD} = 5.5\text{ V}$ , $V_I = -0.3\text{ V}$			5	$\mu\text{A}$
$I_{(Q)}$	Quiescent current	$V_{DD} = 5.5\text{ V}$ , no load		3.4	4.9	mA
		$V_{DD} = 3.6\text{ V}$ , no load		2.8		
		$V_{DD} = 2.5\text{ V}$ , no load		2.2	3.2	
$I_{(SD)}$	Shutdown current	$V_{(SHUTDOWN)} = 0.35\text{ V}$ , $V_{DD} = 2.5\text{ V to }5.5\text{ V}$		0.5	2	$\mu\text{A}$
$r_{DS(on)}$	Static drain-source on-state resistance	$V_{DD} = 2.5\text{ V}$		700		m $\Omega$
		$V_{DD} = 3.6\text{ V}$		500		
		$V_{DD} = 5.5\text{ V}$		400		
	Output impedance in SHUTDOWN	$V_{(SHUTDOWN)} = 0.35\text{ V}$		>1		k $\Omega$
$f_{(sw)}$	Switching frequency	$V_{DD} = 2.5\text{ V to }5.5\text{ V}$	200	250	300	kHz
	Gain	$V_{DD} = 2.5\text{ V to }5.5\text{ V}$	$\frac{285\text{ k}\Omega}{R_I}$	$\frac{300\text{ k}\Omega}{R_I}$	$\frac{315\text{ k}\Omega}{R_I}$	$\frac{\text{V}}{\text{V}}$
	Resistance from shutdown to GND			300		k $\Omega$

## OPERATING CHARACTERISTICS

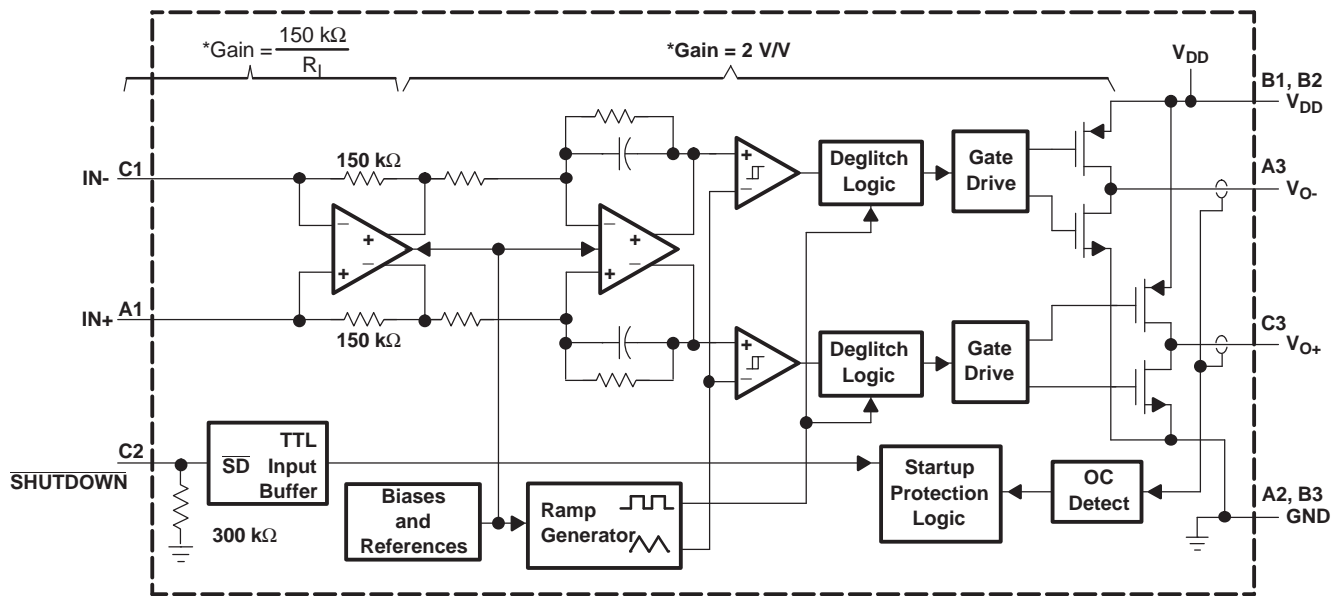
 $T_A = 25^\circ\text{C}$ , Gain = 2 V/V,  $R_L = 8\ \Omega$  (unless otherwise noted)

PARAMETER		TEST CONDITIONS		MIN	TYP	MAX	UNIT
$P_O$	Output power	THD + N = 10%, $f = 1\text{ kHz}$ , $R_L = 4\ \Omega$	$V_{DD} = 5\text{ V}$		2.5		W
			$V_{DD} = 3.6\text{ V}$		1.3		
			$V_{DD} = 2.5\text{ V}$		0.52		
		THD + N = 1%, $f = 1\text{ kHz}$ , $R_L = 4\ \Omega$	$V_{DD} = 5\text{ V}$		2.08		W
			$V_{DD} = 3.6\text{ V}$		1.06		
			$V_{DD} = 2.5\text{ V}$		0.42		
		THD + N = 10%, $f = 1\text{ kHz}$ , $R_L = 8\ \Omega$	$V_{DD} = 5\text{ V}$		1.45		W
			$V_{DD} = 3.6\text{ V}$		0.73		
			$V_{DD} = 2.5\text{ V}$		0.33		
		THD + N = 1%, $f = 1\text{ kHz}$ , $R_L = 8\ \Omega$	$V_{DD} = 5\text{ V}$		1.19		W
			$V_{DD} = 3.6\text{ V}$		0.59		
			$V_{DD} = 2.5\text{ V}$		0.26		
THD+N	Total harmonic distortion plus noise	$V_{DD} = 5\text{ V}$ , $P_O = 1\text{ W}$ , $R_L = 8\ \Omega$ , $f = 1\text{ kHz}$			0.18%		
		$V_{DD} = 3.6\text{ V}$ , $P_O = 0.5\text{ W}$ , $R_L = 8\ \Omega$ , $f = 1\text{ kHz}$			0.19%		
		$V_{DD} = 2.5\text{ V}$ , $P_O = 200\text{ mW}$ , $R_L = 8\ \Omega$ , $f = 1\text{ kHz}$			0.20%		
$k_{SVR}$	Supply ripple rejection ratio	$V_{DD} = 3.6\text{ V}$ , Inputs ac-grounded with $C_i = 2\ \mu\text{F}$	$f = 217\text{ Hz}$ , $V_{(RIPPLE)} = 200\text{ mV}_{pp}$		-67		dB
SNR	Signal-to-noise ratio	$V_{DD} = 5\text{ V}$ , $P_O = 1\text{ W}$ , $R_L = 8\ \Omega$			97		dB
$V_n$	Output voltage noise	$V_{DD} = 3.6\text{ V}$ , $f = 20\text{ Hz to }20\text{ kHz}$ , Inputs ac-grounded with $C_i = 2\ \mu\text{F}$		No weighting	48		$\mu\text{V}_{RMS}$
				A weighting	36		
CMRR	Common mode rejection ratio	$V_{DD} = 3.6\text{ V}$ , $V_{IC} = 1\text{ V}_{pp}$	$f = 217\text{ Hz}$		-63		dB
$Z_I$	Input impedance			142	150	158	k $\Omega$
	Start-up time from shutdown	$V_{DD} = 3.6\text{ V}$			1		ms

**Terminal Functions**

TERMINAL		I/O	DESCRIPTION
NAME	YEF, YZF		
IN-	C1	I	Negative differential input
IN+	A1	I	Positive differential input
V <sub>DD</sub>	B1	I	Power supply
V <sub>O+</sub>	C3	O	Positive BTL output
GND	A2, B3	I	High-current ground
V <sub>O-</sub>	A3	O	Negative BTL output
SHUTDOWN	C2	I	Shutdown terminal (active low logic)
PVDD	B2	I	Power supply

**FUNCTIONAL BLOCK DIAGRAM**



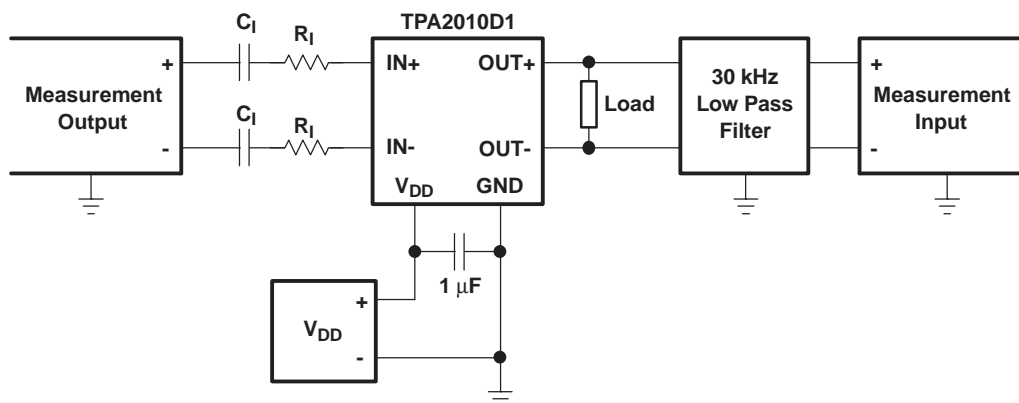
Notes:  
 \* Total gain =  $2 \times \frac{150\text{ k}\Omega}{R_1}$

## TYPICAL CHARACTERISTICS

### TABLE OF GRAPHS

		FIGURE	
Efficiency	vs Output power	1, 2	
$P_D$	Power dissipation	3, 4	
Supply current	vs Output power	5, 6	
$I_{(Q)}$	Quiescent current	7	
$I_{(SD)}$	Shutdown current	8	
$P_O$	Output power	vs Supply voltage	9
		vs Load resistance	10, 11
THD+N	Total harmonic distortion plus noise	vs Output power	12, 13
		vs Frequency	14, 15, 16, 17
		vs Common-mode input voltage	18
$K_{SVR}$	Supply voltage rejection ratio	vs Frequency	19, 20, 21
		GSM power supply rejection	vs Time
$K_{SVR}$	Supply voltage rejection ratio	vs Frequency	23
		vs Common-mode input voltage	24
CMRR	Common-mode rejection ratio	vs Frequency	25
		vs Common-mode input voltage	26

### TEST SET-UP FOR GRAPHS



Notes:

- (1)  $C_1$  was Shorted for any Common-Mode input voltage measurement
- (2) A 33- $\mu$ H inductor was placed in series with the load resistor to emulate a small speaker for efficiency measurements.
- (3) The 30-kHz low-pass filter is required even if the analyzer has an internal low-pass filter. An RC low pass filter (100  $\Omega$ , 47 nF) is used on each output for the data sheet graphs.

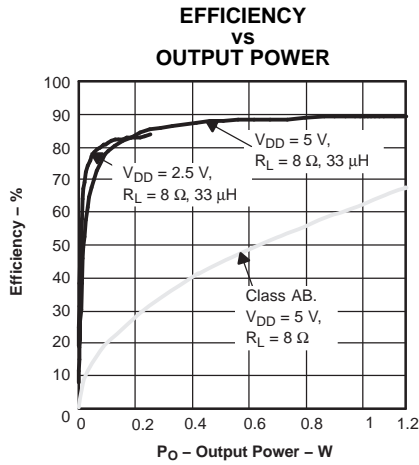


Figure 1.

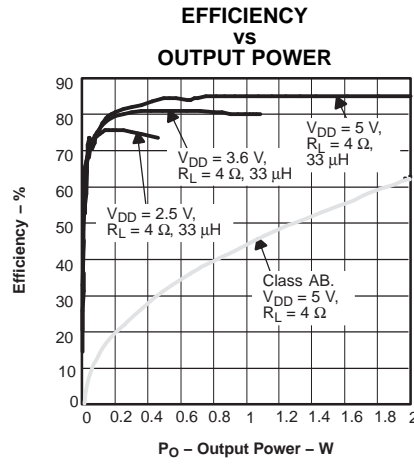


Figure 2.

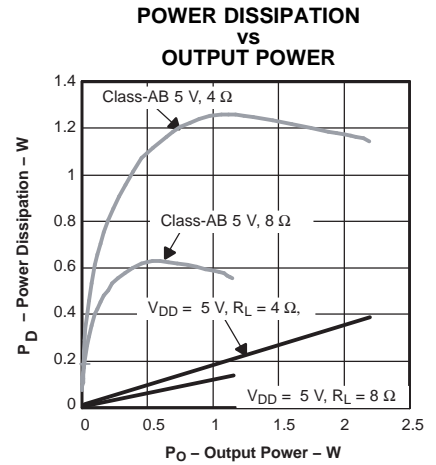


Figure 3.

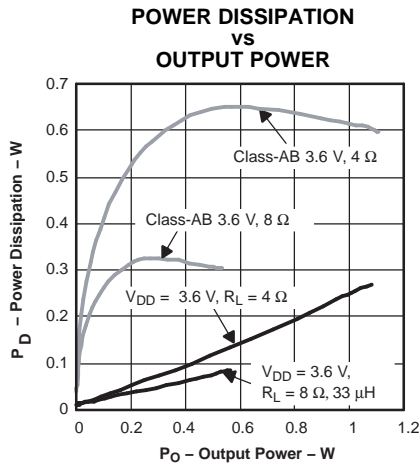


Figure 4.

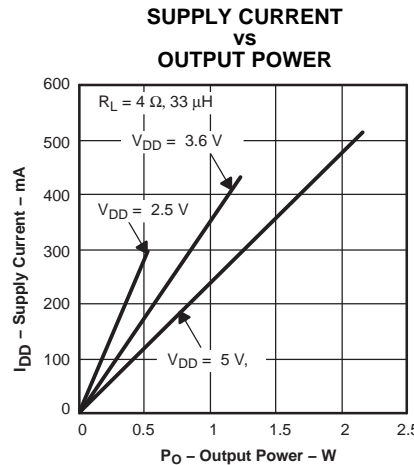


Figure 5.

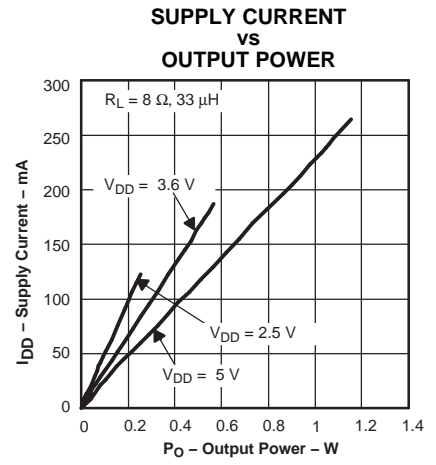


Figure 6.

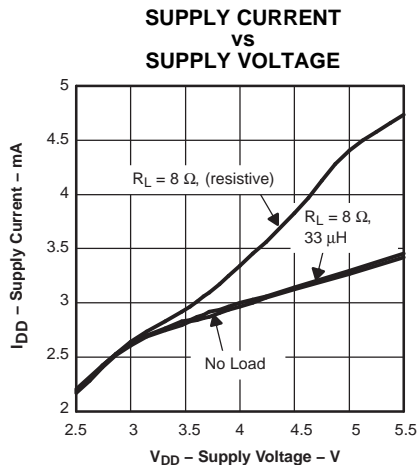


Figure 7.

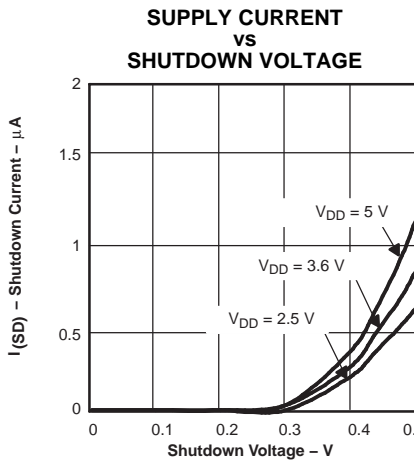


Figure 8.

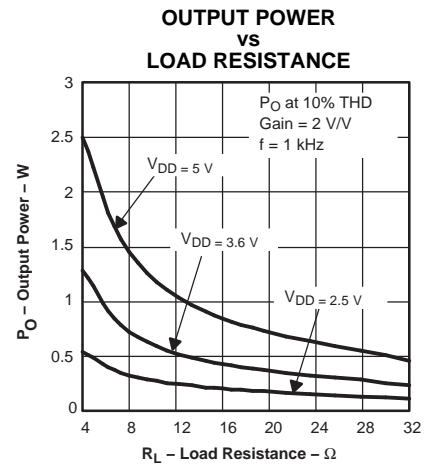


Figure 9.

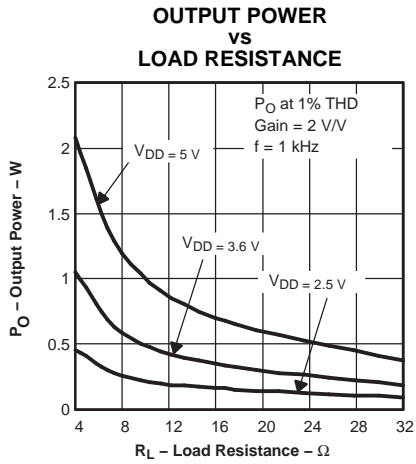


Figure 10.

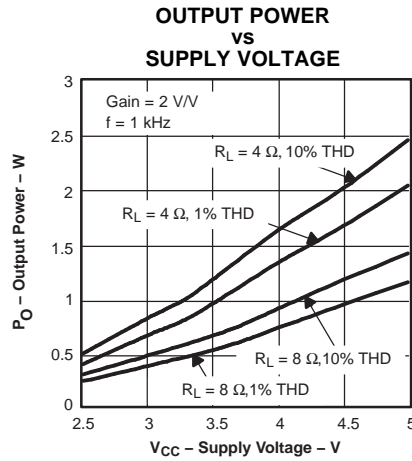


Figure 11.

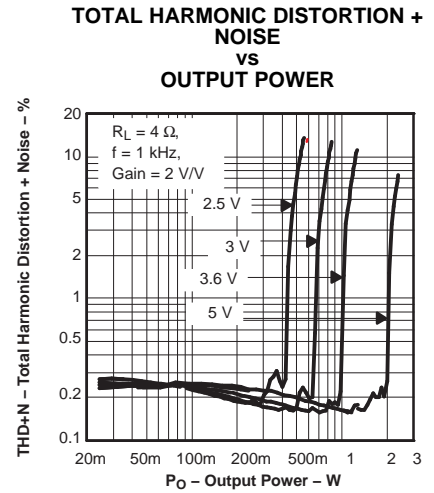


Figure 12.

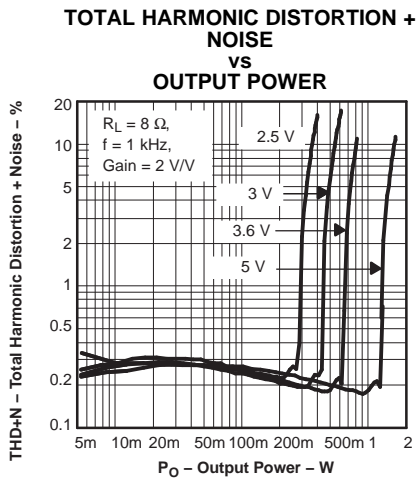


Figure 13.

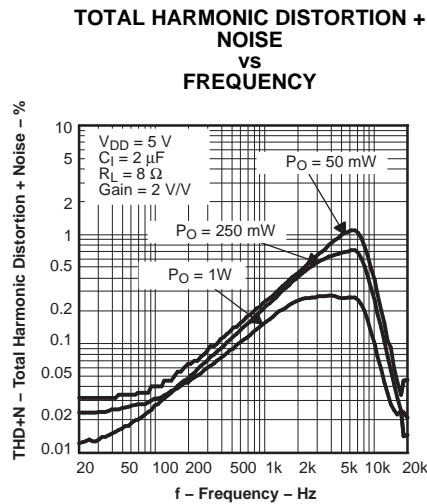


Figure 14.

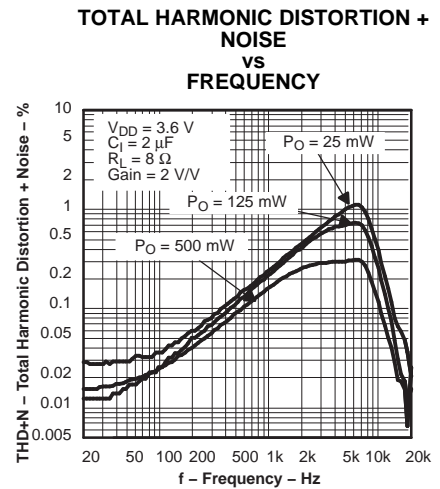


Figure 15.

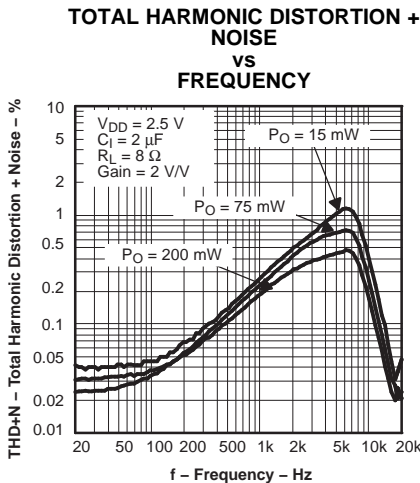


Figure 16.

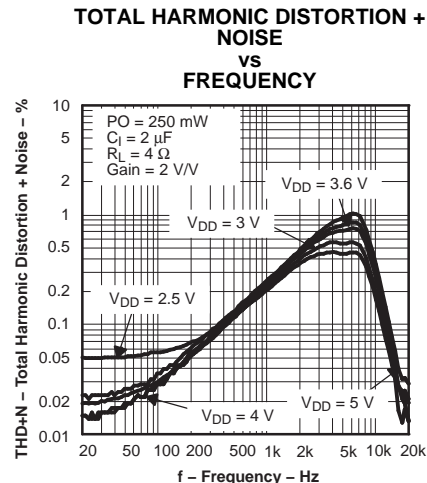


Figure 17.

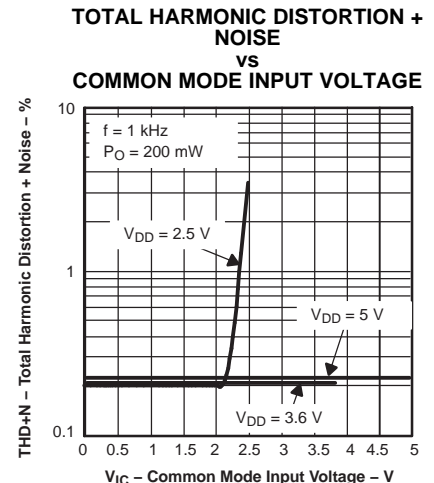


Figure 18.

**SUPPLY RIPPLE REJECTION RATIO  
VS  
FREQUENCY**

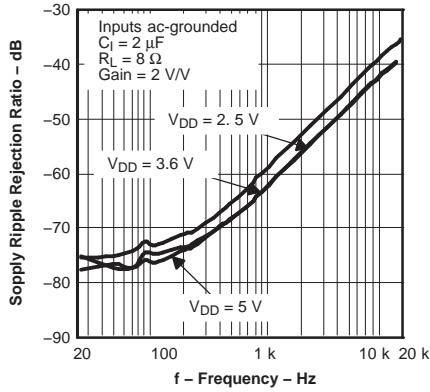


Figure 19.

**SUPPLY RIPPLE REJECTION RATIO  
VS  
FREQUENCY**

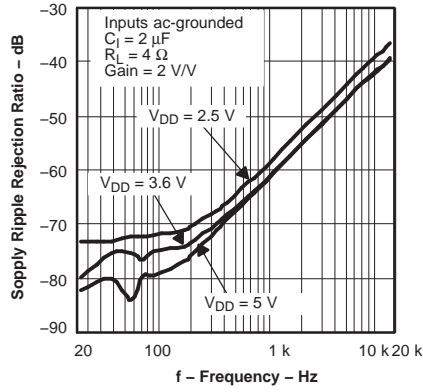
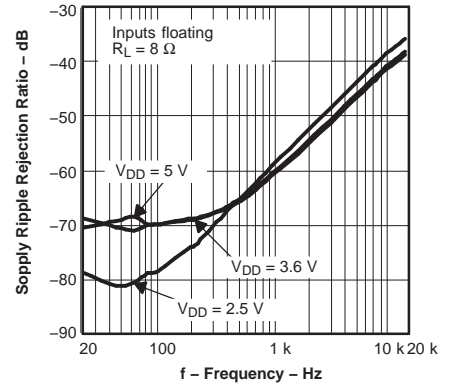


Figure 20.

**SUPPLY RIPPLE REJECTION RATIO  
VS  
FREQUENCY**



**GSM POWER SUPPLY REJECTION  
VS  
TIME**

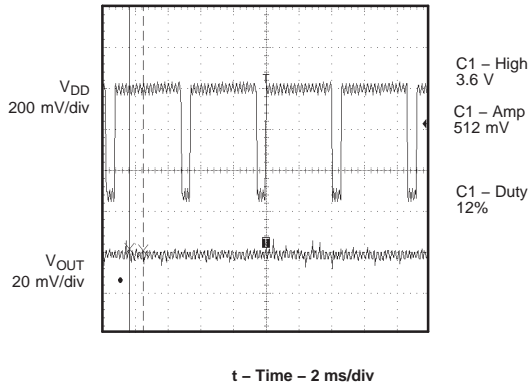


Figure 22.

**GSM POWER SUPPLY REJECTION  
VS  
FREQUENCY**

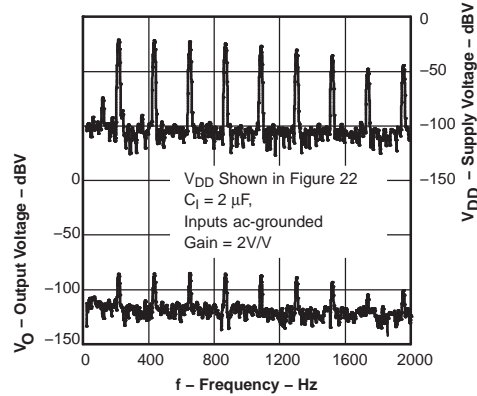


Figure 23.

**SUPPLY RIPPLE REJECTION RATIO  
VS  
DC COMMON MODE VOLTAGE**

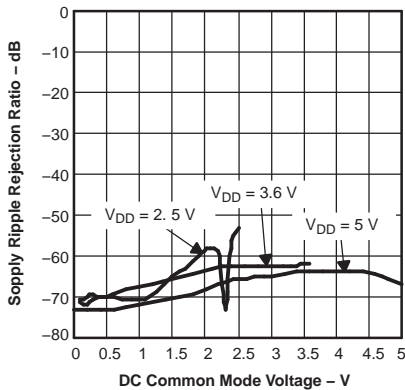


Figure 24.

**COMMON-MODE REJECTION RATIO  
VS  
FREQUENCY**

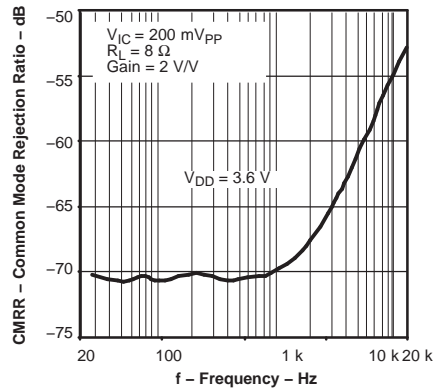


Figure 25.

**COMMON-MODE REJECTION RATIO  
VS  
COMMON-MODE INPUT VOLTAGE**

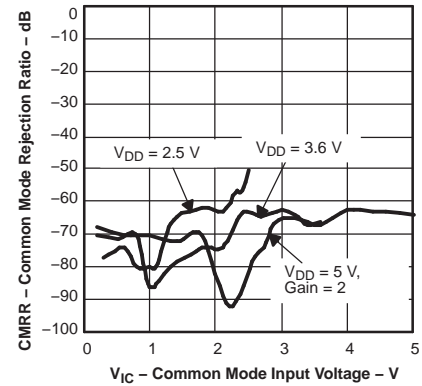


Figure 26.



## APPLICATION INFORMATION

### FULLY DIFFERENTIAL AMPLIFIER

The TPA2010D1 is a fully differential amplifier with differential inputs and outputs. The fully differential amplifier consists of a differential amplifier and a common-mode amplifier. The differential amplifier ensures that the amplifier outputs a differential voltage on the output that is equal to the differential input times the gain. The common-mode feedback ensures that the common-mode voltage at the output is biased around  $V_{DD}/2$  regardless of the common-mode voltage at the input. The fully differential TPA2010D1 can still be used with a single-ended input; however, the TPA2010D1 should be used with differential inputs when in a noisy environment, like a wireless handset, to ensure maximum noise rejection.

#### Advantages of Fully Differential Amplifiers

- Input-coupling capacitors not required:
  - The fully differential amplifier allows the inputs to be biased at voltage other than mid-supply. For example, if a codec has a midsupply lower than the midsupply of the TPA2010D1, the common-mode feedback circuit will adjust, and the TPA2010D1 outputs will still be biased at midsupply of the TPA2010D1. The inputs of the TPA2010D1 can be biased from 0.5 V to  $V_{DD} - 0.8$  V. If the inputs are biased outside of that range, input-coupling capacitors are required.
- Midsupply bypass capacitor,  $C_{(BYPASS)}$ , not required:
  - The fully differential amplifier does not require a bypass capacitor. This is because any shift in the midsupply affects both positive and negative channels equally and cancels at the differential output.
- Better RF-immunity:
  - GSM handsets save power by turning on and shutting off the RF transmitter at a rate of 217 Hz. The transmitted signal is picked-up on input and output traces. The fully differential amplifier cancels the signal much better than the typical audio amplifier.

### COMPONENT SELECTION

Figure 27 shows the TPA2010D1 typical schematic with differential inputs and Figure 28 shows the TPA2010D1 with differential inputs and input capacitors, and Figure 29 shows the TPA2010D1 with single-ended inputs. Differential inputs should be used whenever possible because the single-ended inputs are much more susceptible to noise.

**Table 1. Typical Component Values**

REF DES	VALUE	EIA SIZE	MANUFACTURER	PART NUMBER
$R_I$	150 k $\Omega$ ( $\pm 0.5\%$ )	0402	Panasonic	ERJ2RHD154V
$C_S$	1 $\mu$ F (+22%, –80%)	0402	Murata	GRP155F50J105Z
$C_I^{(1)}$	3.3 nF ( $\pm 10\%$ )	0201	Murata	GRP033B10J332K

(1)  $C_I$  is only needed for single-ended input or if  $V_{ICM}$  is not between 0.5 V and  $V_{DD} - 0.8$  V.  $C_I = 3.3$  nF (with  $R_I = 150$  k $\Omega$ ) gives a high-pass corner frequency of 321 Hz.

#### Input Resistors ( $R_I$ )

The input resistors ( $R_I$ ) set the gain of the amplifier according to Equation 1.

$$\text{Gain} = \frac{2 \times 150 \text{ k}\Omega}{R_I} \left( \frac{\text{V}}{\text{V}} \right) \quad (1)$$

Resistor matching is very important in fully differential amplifiers. The balance of the output on the reference voltage depends on matched ratios of the resistors. CMRR, PSRR, and cancellation of the second harmonic distortion diminish if resistor mismatch occurs. Therefore, it is recommended to use 1% tolerance resistors or better to keep the performance optimized. Matching is more important than overall tolerance. Resistor arrays with 1% matching can be used with a tolerance greater than 1%.

Place the input resistors very close to the TPA2010D1 to limit noise injection on the high-impedance nodes.

For optimal performance the gain should be set to 2 V/V or lower. Lower gain allows the TPA2010D1 to operate at its best, and keeps a high voltage at the input making the inputs less susceptible to noise.

### Decoupling Capacitor (C<sub>S</sub>)

The TPA2010D1 is a high-performance class-D audio amplifier that requires adequate power supply decoupling to ensure the efficiency is high and total harmonic distortion (THD) is low. For higher frequency transients, spikes, or digital hash on the line, a good low equivalent-series-resistance (ESR) ceramic capacitor, typically 1  $\mu$ F, placed as close as possible to the device V<sub>DD</sub> lead works best. Placing this decoupling capacitor close to the TPA2010D1 is very important for the efficiency of the class-D amplifier, because any resistance or inductance in the trace between the device and the capacitor can cause a loss in efficiency. For filtering lower-frequency noise signals, a 10  $\mu$ F or greater capacitor placed near the audio power amplifier would also help, but it is not required in most applications because of the high PSRR of this device.

### Input Capacitors (C<sub>I</sub>)

The TPA2010D1 does not require input coupling capacitors if the design uses a differential source that is biased from 0.5 V to V<sub>DD</sub> –0.8 V (shown in [Figure 27](#)). If the input signal is not biased within the recommended common-mode input range, if needing to use the input as a high pass filter (shown in [Figure 28](#)), or if using a single-ended source (shown in [Figure 29](#)), input coupling capacitors are required.

The input capacitors and input resistors form a high-pass filter with the corner frequency, f<sub>c</sub>, determined in [Equation 2](#).

$$f_c = \frac{1}{(2\pi R_I C_I)} \quad (2)$$

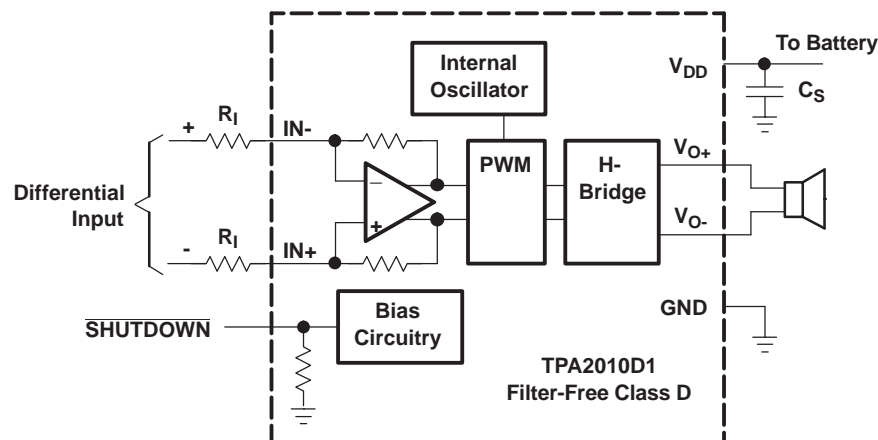
The value of the input capacitor is important to consider as it directly affects the bass (low frequency) performance of the circuit. Speakers in wireless phones cannot usually respond well to low frequencies, so the corner frequency can be set to block low frequencies in this application.

[Equation 3](#) is reconfigured to solve for the input coupling capacitance.

$$C_I = \frac{1}{(2\pi R_I f_c)} \quad (3)$$

If the corner frequency is within the audio band, the capacitors should have a tolerance of 10% or better, because any mismatch in capacitance causes an impedance mismatch at the corner frequency and below.

For a flat low-frequency response, use large input coupling capacitors (1  $\mu$ F). However, in a GSM phone the ground signal is fluctuating at 217 Hz, but the signal from the codec does not have the same 217 Hz fluctuation. The difference between the two signals is amplified, sent to the speaker, and heard as a 217 Hz hum.



**Figure 27. Typical TPA2010D1 Application Schematic With Differential Input for a Wireless Phone**

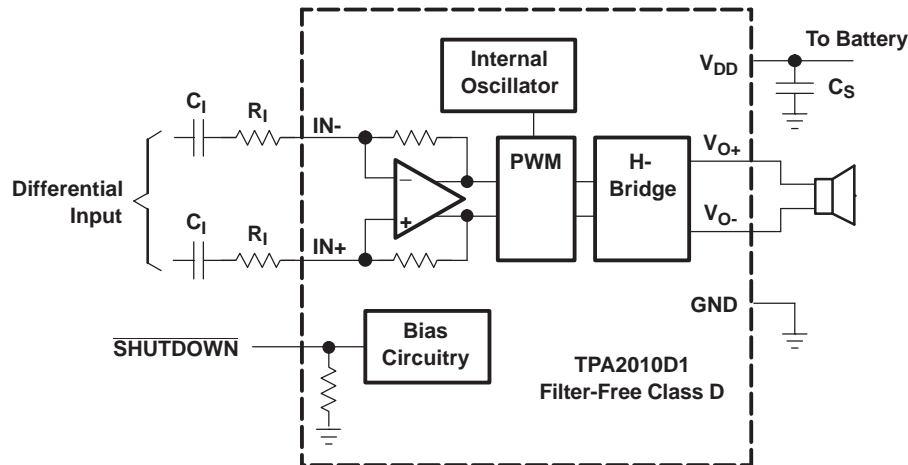


Figure 28. TPA2010D1 Application Schematic With Differential Input and Input Capacitors

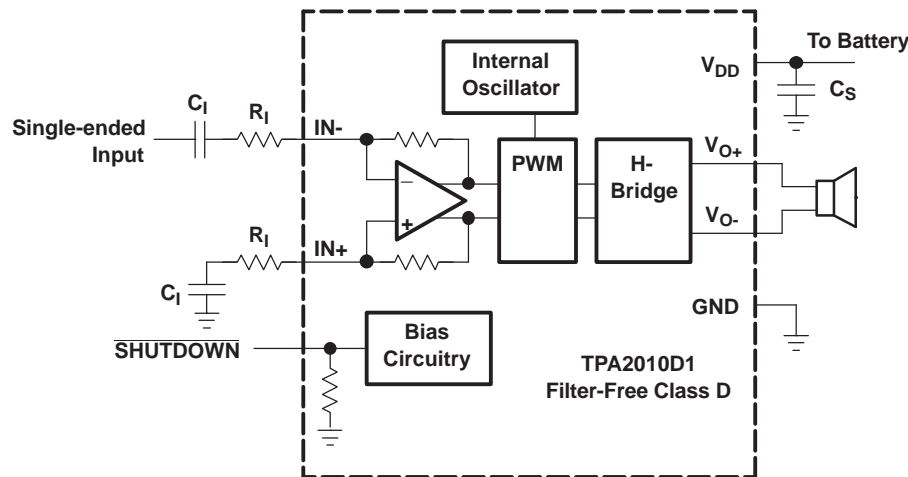


Figure 29. TPA2010D1 Application Schematic With Single-Ended Input

## SUMMING INPUT SIGNALS WITH THE TPA2010D1

Most wireless phones or PDAs need to sum signals at the audio power amplifier or just have two signal sources that need separate gain. The TPA2010D1 makes it easy to sum signals or use separate signal sources with different gains. Many phones now use the same speaker for the earpiece and ringer, where the wireless phone would require a much lower gain for the phone earpiece than for the ringer. PDAs and phones that have stereo headphones require summing of the right and left channels to output the stereo signal to the mono speaker.

### Summing Two Differential Input Signals

Two extra resistors are needed for summing differential signals (a total of 5 components). The gain for each input source can be set independently (see Equation 4 and Equation 5, and Figure 30).

$$\text{Gain 1} = \frac{V_O}{V_{I1}} = \frac{2 \times 150 \text{ k}\Omega}{R_{I1}} \left( \frac{V}{V} \right) \quad (4)$$

$$\text{Gain 2} = \frac{V_O}{V_{I2}} = \frac{2 \times 150 \text{ k}\Omega}{R_{I2}} \left( \frac{V}{V} \right) \quad (5)$$

If summing left and right inputs with a gain of 1 V/V, use  $R_{I1} = R_{I2} = 300 \text{ k}\Omega$ .

If summing a ring tone and a phone signal, set the ring-tone gain to Gain 2 = 2 V/V, and the phone gain to gain 1 = 0.1 V/V. The resistor values would be . . .

$R_{I1} = 3 \text{ M}\Omega$ , and  $R_{I2} = 150 \text{ k}\Omega$ .

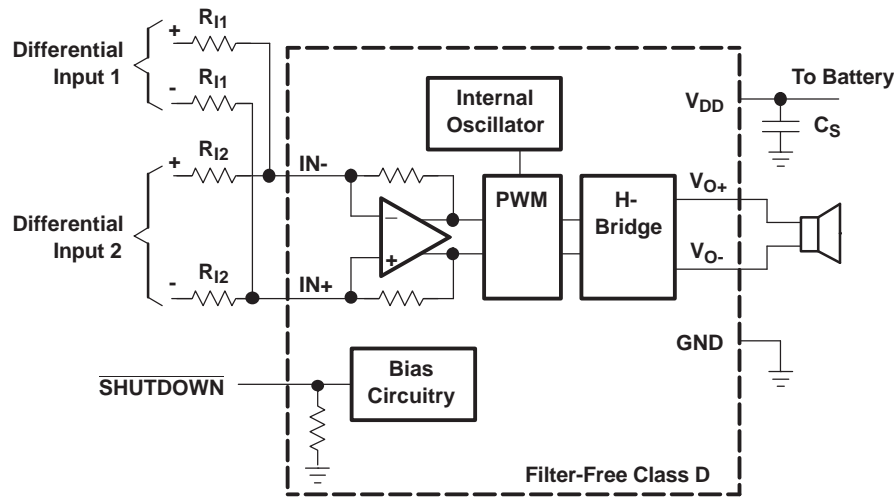


Figure 30. Application Schematic With TPA2010D1 Summing Two Differential Inputs

### Summing a Differential Input Signal and a Single-Ended Input Signal

Figure 31 shows how to sum a differential input signal and a single-ended input signal. Ground noise can couple in through IN+ with this method. It is better to use differential inputs. The corner frequency of the single-ended input is set by  $C_{I2}$ , shown in Equation 8. To assure that each input is balanced, the single-ended input must be driven by a low-impedance source even if the input is not in use

$$\text{Gain 1} = \frac{V_O}{V_{I1}} = \frac{2 \times 150 \text{ k}\Omega}{R_{I1}} \left( \frac{\text{V}}{\text{V}} \right) \tag{6}$$

$$\text{Gain 2} = \frac{V_O}{V_{I2}} = \frac{2 \times 150 \text{ k}\Omega}{R_{I2}} \left( \frac{\text{V}}{\text{V}} \right) \tag{7}$$

$$C_{I2} = \frac{1}{(2\pi R_{I2} f_{c2})} \tag{8}$$

If summing a ring tone and a phone signal, the phone signal should use a differential input signal while the ring tone might be limited to a single-ended signal. Phone gain is set at gain 1 = 0.1 V/V, and the ring-tone gain is set to gain 2 = 2 V/V, the resistor values would be...

$R_{I1} = 3 \text{ M}\Omega$ , and  $R_{I2} = 150 \text{ k}\Omega$ .

The high pass corner frequency of the single-ended input is set by  $C_{I2}$ . If the desired corner frequency is less than 20 Hz...

$$C_{I2} > \frac{1}{(2\pi \cdot 150\text{k}\Omega \cdot 20\text{Hz})} \quad (9)$$

$$C_{I2} > 53 \text{ nF} \quad (10)$$

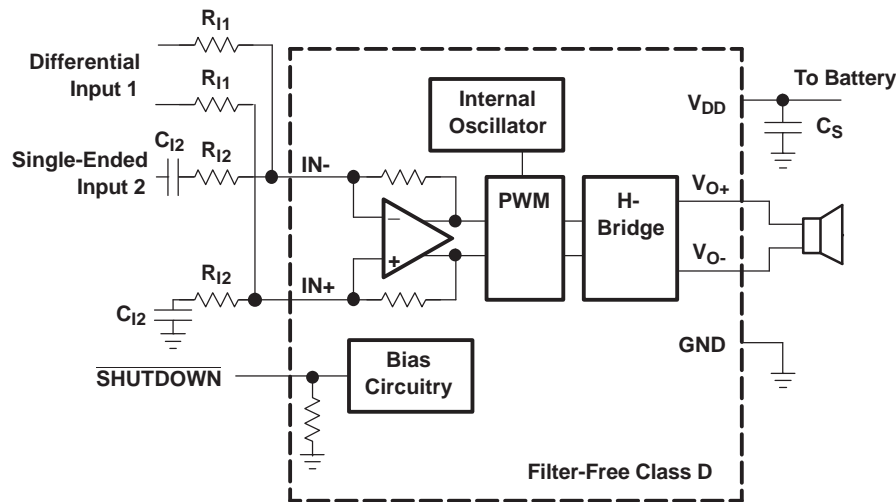


Figure 31. Application Schematic With TPA2010D1 Summing Differential Input and Single-Ended Input Signals

### Summing Two Single-Ended Input Signals

Four resistors and three capacitors are needed for summing single-ended input signals. The gain and corner frequencies ( $f_{c1}$  and  $f_{c2}$ ) for each input source can be set independently (see Equation 11 through Equation 14, and Figure 32). Resistor,  $R_P$ , and capacitor,  $C_P$ , are needed on the  $IN+$  terminal to match the impedance on the  $IN-$  terminal. The single-ended inputs must be driven by low impedance sources even if one of the inputs is not outputting an ac signal.

$$\text{Gain 1} = \frac{V_O}{V_{I1}} = \frac{2 \times 150 \text{ k}\Omega}{R_{I1}} \left( \frac{V}{V} \right) \quad (11)$$

$$\text{Gain 2} = \frac{V_O}{V_{I2}} = \frac{2 \times 150 \text{ k}\Omega}{R_{I2}} \left( \frac{V}{V} \right) \quad (12)$$

$$C_{I1} = \frac{1}{(2\pi R_{I1} f_{c1})} \quad (13)$$

$$C_{I2} = \frac{1}{(2\pi R_{I2} f_{c2})} \quad (14)$$

$$C_P = C_{I1} + C_{I2} \quad (15)$$

$$R_P = \frac{R_{I1} \times R_{I2}}{(R_{I1} + R_{I2})} \quad (16)$$

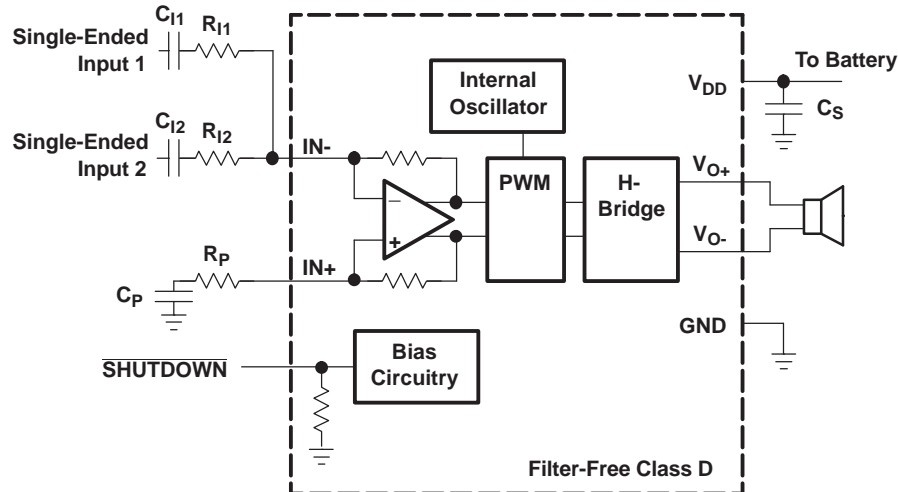


Figure 32. Application Schematic With TPA2010D1 Summing Two Single-Ended Inputs

**BOARD LAYOUT**

In making the pad size for the WCSP balls, it is recommended that the layout use nonsolder mask defined (NSMD) land. With this method, the solder mask opening is made larger than the desired land area, and the opening size is defined by the copper pad width. Figure 33 and Table 2 show the appropriate diameters for a WCSP layout. The TPA2010D1 evaluation module (EVM) layout is shown in the next section as a layout example.

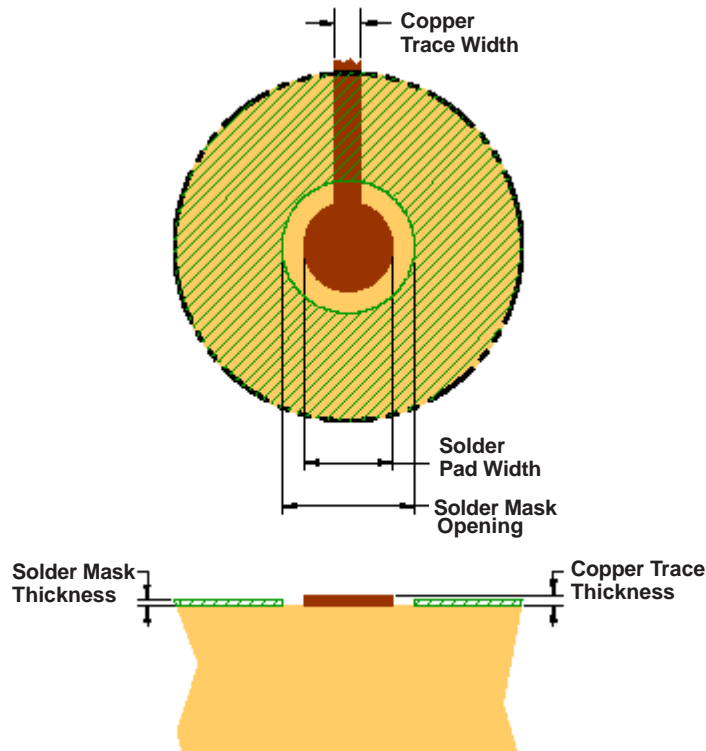


Figure 33. Land Pattern Dimensions

**Table 2. Land Pattern Dimensions**

SOLDER PAD DEFINITIONS	COPPER PAD	SOLDER MASK OPENING	COPPER THICKNESS	STENCIL OPENING	STENCIL THICKNESS
Nonsolder mask defined (NSMD)	275 $\mu\text{m}$ (+0.0, -25 $\mu\text{m}$ )	375 $\mu\text{m}$ (+0.0, -25 $\mu\text{m}$ )	1 oz max (32 $\mu\text{m}$ )	275 $\mu\text{m}$ x 275 $\mu\text{m}$ Sq. (rounded corners)	125 $\mu\text{m}$ thick

**NOTES:**

1. Circuit traces from NSMD defined PWB lands should be 75  $\mu\text{m}$  to 100  $\mu\text{m}$  wide in the exposed area inside the solder mask opening. Wider trace widths reduce device stand off and impact reliability.
2. Recommend solder paste is Type 3 or Type 4.
3. Best reliability results are achieved when the PWB laminate glass transition temperature is above the operating range of the intended application.
4. For a PWB using a Ni/Au surface finish, the gold thickness should be less than 0.5  $\mu\text{m}$  to avoid a reduction in thermal fatigue performance.
5. Solder mask thickness should be less than 20  $\mu\text{m}$  on top of the copper circuit pattern.
6. Best solder stencil performance is achieved using laser cut stencils with electro polishing. Use of chemically etched stencils results in inferior solder paste volume control.
7. Trace routing away from WCSP device should be balanced in X and Y directions to avoid unintentional component movement due to solder wetting forces.

**Component Location**

Place all the external components very close to the TPA2010D1. The input resistors need to be very close to the TPA2010D1 input pins so noise does not couple on the high impedance nodes between the input resistors and the input amplifier of the TPA2010D1. Placing the decoupling capacitor, CS, close to the TPA2010D1 is important for the efficiency of the class-D amplifier. Any resistance or inductance in the trace between the device and the capacitor can cause a loss in efficiency.

**Trace Width**

Recommended trace width at the solder balls is 75  $\mu\text{m}$  to 100  $\mu\text{m}$  to prevent solder wicking onto wider PCB traces. [Figure 34](#) shows the layout of the TPA2010D1 evaluation module (EVM).

For high current pins ( $V_{DD}$ , GND,  $V_{O+}$ , and  $V_{O-}$ ) of the TPA2010D1, use 100- $\mu\text{m}$  trace widths at the solder balls and at least 500- $\mu\text{m}$  PCB traces to ensure proper performance and output power for the device.

For input pins (IN $-$ , IN $+$ , and SHUTDOWN) of the TPA2010D1, use 75- $\mu\text{m}$  to 100- $\mu\text{m}$  trace widths at the solder balls. IN $-$  and IN $+$  pins need to run side-by-side to maximize common-mode noise cancellation. Placing input resistors,  $R_{IN}$ , as close to the TPA2010D1 as possible is recommended.

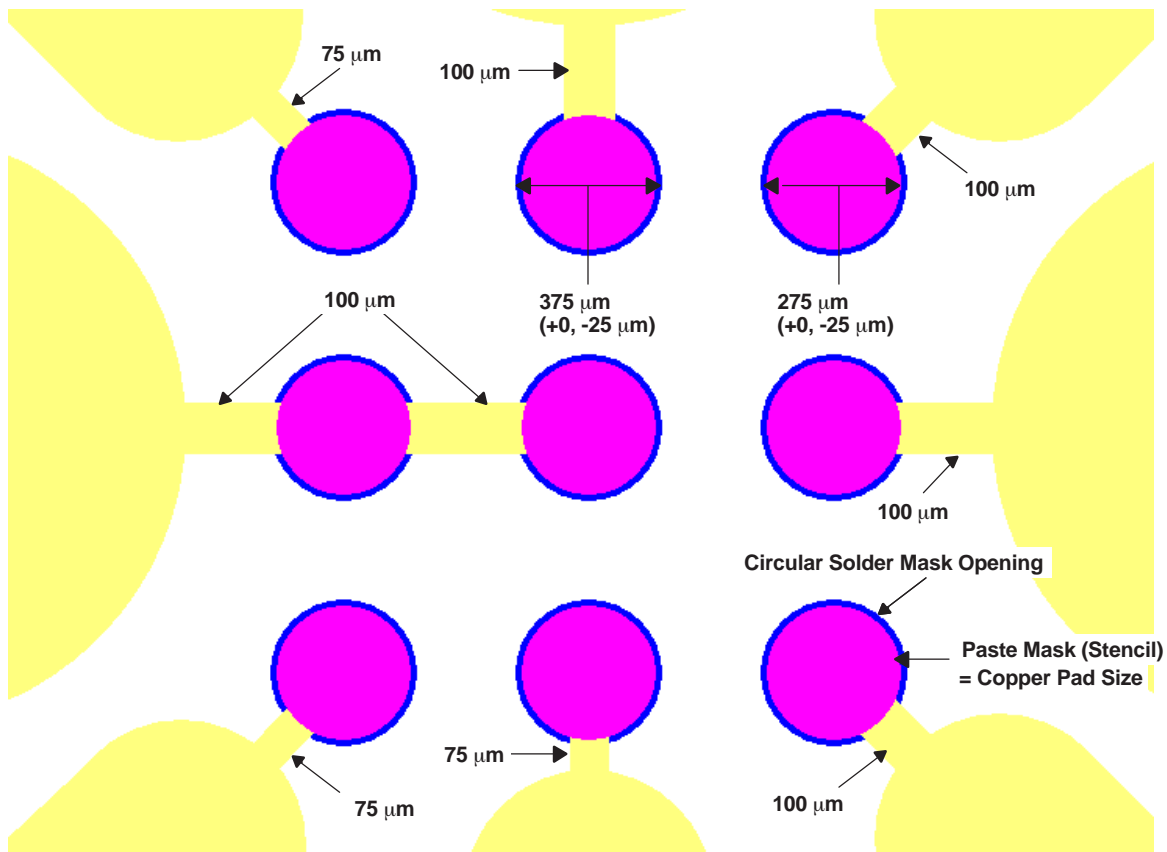


Figure 34. Close Up of TPA2010D1 Land Pattern From TPA2010D1 EVM

## EFFICIENCY AND THERMAL INFORMATION

The maximum ambient temperature depends on the heat-sinking ability of the PCB system. The derating factor for the YEF and YEZ packages are shown in the dissipation rating table. Converting this to  $\theta_{JA}$ :

$$\theta_{JA} = \frac{1}{\text{Derating Factor}} = \frac{1}{0.0078} = 128.2^{\circ}\text{C/W} \quad (17)$$

Given  $\theta_{JA}$  of  $128.2^{\circ}\text{C/W}$ , the maximum allowable junction temperature of  $150^{\circ}\text{C}$ , and the maximum internal dissipation of  $0.4\text{ W}$  ( $2.25\text{ W}$ ,  $4\text{-}\Omega$  load,  $5\text{-V}$  supply, from Figure 3), the maximum ambient temperature can be calculated with the following equation.

$$T_{A\text{Max}} = T_{J\text{Max}} - \theta_{JA} P_{D\text{max}} = 150 - 128.2 (0.4) = 98.72^{\circ}\text{C} \quad (18)$$

Equation 18 shows that the calculated maximum ambient temperature is  $98.72^{\circ}\text{C}$  at maximum power dissipation with a  $5\text{-V}$  supply and  $4\text{-}\Omega$  a load, see Figure 3. The TPA2010D1 is designed with thermal protection that turns the device off when the junction temperature surpasses  $165^{\circ}\text{C} \sim 190^{\circ}\text{C}$  to prevent damage to the IC. Also, using speakers more resistive than  $4\text{-}\Omega$  dramatically increases the thermal performance by reducing the output current and increasing the efficiency of the amplifier.

## ELIMINATING THE OUTPUT FILTER WITH THE TPA2010D1

This section focuses on why the user can eliminate the output filter with the TPA2010D1.

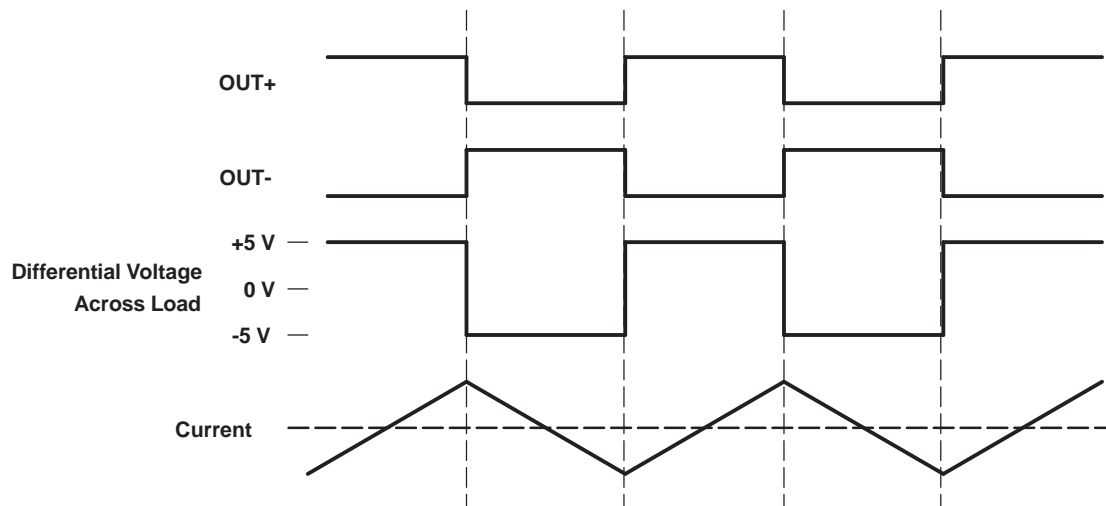


## Effect on Audio

The class-D amplifier outputs a pulse-width modulated (PWM) square wave, which is the sum of the switching waveform and the amplified input audio signal. The human ear acts as a band-pass filter such that only the frequencies between approximately 20 Hz and 20 kHz are passed. The switching frequency components are much greater than 20 kHz, so the only signal heard is the amplified input audio signal.

## Traditional Class-D Modulation Scheme

The traditional class-D modulation scheme, which is used in the TPA005Dxx family, has a differential output where each output is 180 degrees out of phase and changes from ground to the supply voltage,  $V_{DD}$ . Therefore, the differential pre-filtered output varies between positive and negative  $V_{DD}$ , where filtered 50% duty cycle yields 0 volts across the load. The traditional class-D modulation scheme with voltage and current waveforms is shown in Figure 35. Note that even at an average of 0 volts across the load (50% duty cycle), the current to the load is high causing a high loss and thus causing a high supply current.



**Figure 35. Traditional Class-D Modulation Scheme's Output Voltage and Current Waveforms Into an Inductive Load With no Input**

## TPA2010D1 Modulation Scheme

The TPA2010D1 uses a modulation scheme that still has each output switching from 0 to the supply voltage. However,  $OUT+$  and  $OUT-$  are now in phase with each other with no input. The duty cycle of  $OUT+$  is greater than 50% and  $OUT-$  is less than 50% for positive voltages. The duty cycle of  $OUT+$  is less than 50% and  $OUT-$  is greater than 50% for negative voltages. The voltage across the load sits at 0 volts throughout most of the switching period greatly reducing the switching current, which reduces any  $I^2R$  losses in the load.

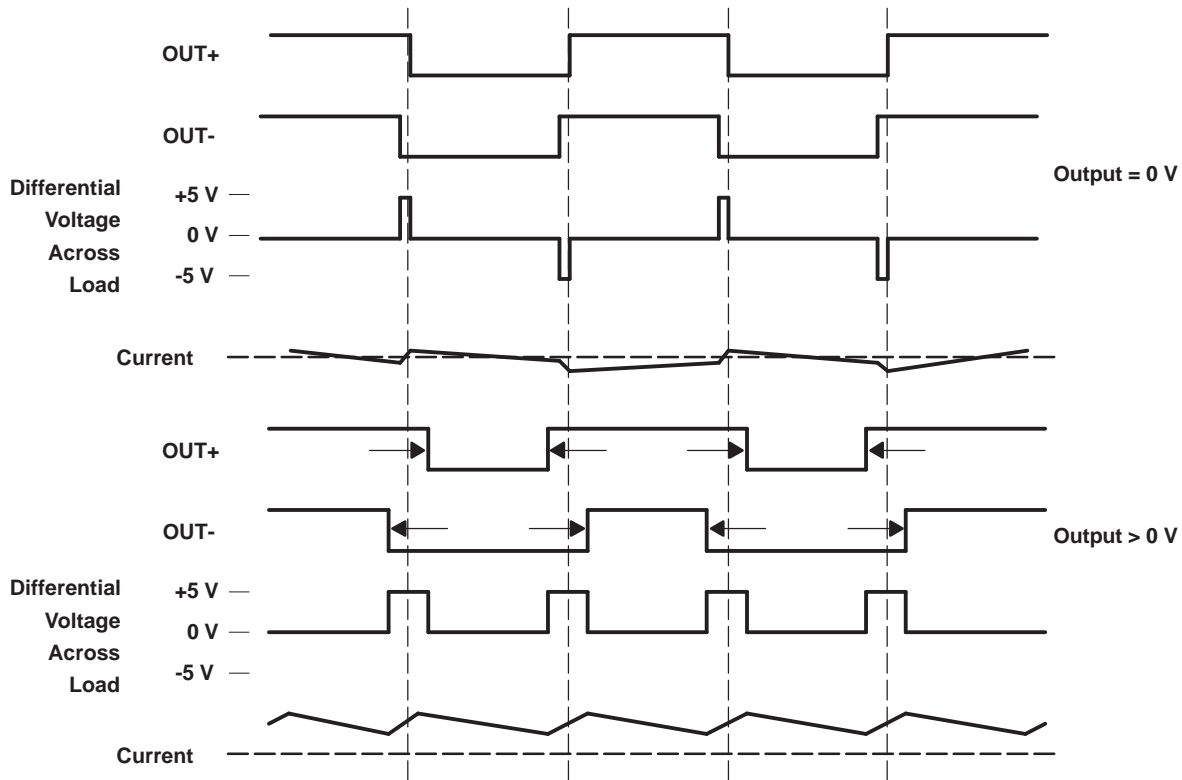


Figure 36. The TPA2010D1 Output Voltage and Current Waveforms Into an Inductive Load

### Efficiency: Why You Must Use a Filter With the Traditional Class-D Modulation Scheme

The main reason that the traditional class-D amplifier needs an output filter is that the switching waveform results in maximum current flow. This causes more loss in the load, which causes lower efficiency. The ripple current is large for the traditional modulation scheme because the ripple current is proportional to voltage multiplied by the time at that voltage. The differential voltage swing is  $2 \times V_{DD}$  and the time at each voltage is half the period for the traditional modulation scheme. An ideal LC filter is needed to store the ripple current from each half cycle for the next half cycle, while any resistance causes power dissipation. The speaker is both resistive and reactive, whereas an LC filter is almost purely reactive.

The TPA2010D1 modulation scheme has very little loss in the load without a filter because the pulses are very short and the change in voltage is  $V_{DD}$  instead of  $2 \times V_{DD}$ . As the output power increases, the pulses widen making the ripple current larger. Ripple current could be filtered with an LC filter for increased efficiency, but for most applications the filter is not needed.

An LC filter with a cutoff frequency less than the class-D switching frequency allows the switching current to flow through the filter instead of the load. The filter has less resistance than the speaker that results in less power dissipated, which increases efficiency.

### Effects of Applying a Square Wave Into a Speaker

If the amplitude of a square wave is high enough and the frequency of the square wave is within the bandwidth of the speaker, a square wave could cause the voice coil to jump out of the air gap and/or scar the voice coil. A 250-kHz switching frequency, however, is not significant because the speaker cone movement is proportional to  $1/f^2$  for frequencies beyond the audio band. Therefore, the amount of cone movement at the switching frequency is very small. However, damage could occur to the speaker if the voice coil is not designed to handle the additional power. To size the speaker for added power, the ripple current dissipated in the load needs to be calculated by subtracting the theoretical supplied power,  $P_{SUP, THEORETICAL}$ , from the actual supply power,  $P_{SUP}$ , at maximum output power,  $P_{OUT}$ . The switching power dissipated in the speaker is the inverse of the measured efficiency,  $\eta_{MEASURED}$ , minus the theoretical efficiency,  $\eta_{THEORETICAL}$ .

$$P_{\text{SPKR}} = P_{\text{SUP}} - P_{\text{SUP THEORETICAL}} \quad (\text{at max output power}) \quad (19)$$

$$P_{\text{SPKR}} = \frac{P_{\text{SUP}}}{P_{\text{OUT}}} \frac{P_{\text{SUP THEORETICAL}}}{P_{\text{OUT}}} \quad (\text{at max output power}) \quad (20)$$

$$P_{\text{SPKR}} = P_{\text{OUT}} \left( \frac{1}{\eta_{\text{MEASURED}}} - \frac{1}{\eta_{\text{THEORETICAL}}} \right) \quad (\text{at max output power}) \quad (21)$$

$$\eta_{\text{THEORETICAL}} = \frac{R_L}{R_L + 2r_{\text{DS(on)}}} \quad (\text{at max output power}) \quad (22)$$

The maximum efficiency of the TPA2010D1 with a 3.6 V supply and an 8-Ω load is 86% from Equation 22. Using equation Equation 21 with the efficiency at maximum power (84%), we see that there is an additional 17 mW dissipated in the speaker. The added power dissipated in the speaker is not an issue as long as it is taken into account when choosing the speaker.

### When to Use an Output Filter

Design the TPA2010D1 without an output filter if the traces from amplifier to speaker are short. The TPA2010D1 passed FCC and CE radiated emissions with no shielding with speaker trace wires 100 mm long or less. Wireless handsets and PDAs are great applications for class-D without a filter.

A ferrite bead filter can often be used if the design is failing radiated emissions without an LC filter, and the frequency sensitive circuit is greater than 1 MHz. This is good for circuits that just have to pass FCC and CE because FCC and CE only test radiated emissions greater than 30 MHz. If choosing a ferrite bead, choose one with high impedance at high frequencies, but very low impedance at low frequencies.

Use an LC output filter if there are low frequency (< 1 MHz) EMI sensitive circuits and/or there are long leads from amplifier to speaker.

Figure 37 and Figure 38 show typical ferrite bead and LC output filters.

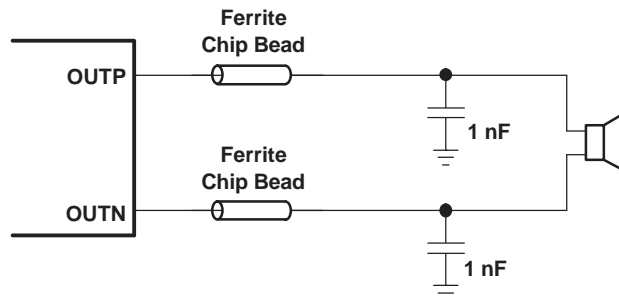


Figure 37. Typical Ferrite Chip Bead Filter (Chip bead example: NEC/Tokin: N2012ZPS121)

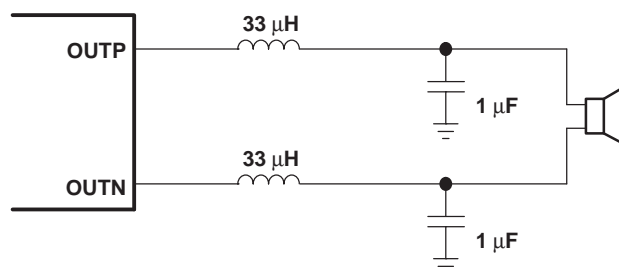




Figure 38. Typical LC Output Filter, Cutoff Frequency of 27 kHz

**PACKAGING INFORMATION**

Orderable Device	Status (1)	Package Type	Package Drawing	Pins	Package Qty	Eco Plan (2)	Lead/Ball Finish	MSL Peak Temp (3)	Op Temp (°C)	Top-Side Markings (4)	Samples
TPA2010D1YEFR	NRND	DSBGA	YEF	9		TBD	Call TI	Call TI	-40 to 85	AJZ	
TPA2010D1YEFT	NRND	DSBGA	YEF	9		TBD	Call TI	Call TI	-40 to 85		
TPA2010D1YZFR	ACTIVE	DSBGA	YZF	9	3000	Green (RoHS & no Sb/Br)	SNAGCU	Level-1-260C-UNLIM	-40 to 85	AK0	
TPA2010D1YZFT	ACTIVE	DSBGA	YZF	9	250	Green (RoHS & no Sb/Br)	SNAGCU	Level-1-260C-UNLIM	-40 to 85	AK0	

(1) The marketing status values are defined as follows:

**ACTIVE:** Product device recommended for new designs.

**LIFEBUY:** TI has announced that the device will be discontinued, and a lifetime-buy period is in effect.

**NRND:** Not recommended for new designs. Device is in production to support existing customers, but TI does not recommend using this part in a new design.

**PREVIEW:** Device has been announced but is not in production. Samples may or may not be available.

**OBSOLETE:** TI has discontinued the production of the device.

(2) Eco Plan - The planned eco-friendly classification: Pb-Free (RoHS), Pb-Free (RoHS Exempt), or Green (RoHS & no Sb/Br) - please check <http://www.ti.com/productcontent> for the latest availability information and additional product content details.

**TBD:** The Pb-Free/Green conversion plan has not been defined.

**Pb-Free (RoHS):** TI's terms "Lead-Free" or "Pb-Free" mean semiconductor products that are compatible with the current RoHS requirements for all 6 substances, including the requirement that lead not exceed 0.1% by weight in homogeneous materials. Where designed to be soldered at high temperatures, TI Pb-Free products are suitable for use in specified lead-free processes.

**Pb-Free (RoHS Exempt):** This component has a RoHS exemption for either 1) lead-based flip-chip solder bumps used between the die and package, or 2) lead-based die adhesive used between the die and leadframe. The component is otherwise considered Pb-Free (RoHS compatible) as defined above.

**Green (RoHS & no Sb/Br):** TI defines "Green" to mean Pb-Free (RoHS compatible), and free of Bromine (Br) and Antimony (Sb) based flame retardants (Br or Sb do not exceed 0.1% by weight in homogeneous material)

(3) MSL, Peak Temp. -- The Moisture Sensitivity Level rating according to the JEDEC industry standard classifications, and peak solder temperature.

(4) Multiple Top-Side Markings will be inside parentheses. Only one Top-Side Marking contained in parentheses and separated by a "-" will appear on a device. If a line is indented then it is a continuation of the previous line and the two combined represent the entire Top-Side Marking for that device.

**Important Information and Disclaimer:** The information provided on this page represents TI's knowledge and belief as of the date that it is provided. TI bases its knowledge and belief on information provided by third parties, and makes no representation or warranty as to the accuracy of such information. Efforts are underway to better integrate information from third parties. TI has taken and continues to take reasonable steps to provide representative and accurate information but may not have conducted destructive testing or chemical analysis on incoming materials and chemicals. TI and TI suppliers consider certain information to be proprietary, and thus CAS numbers and other limited information may not be available for release.

In no event shall TI's liability arising out of such information exceed the total purchase price of the TI part(s) at issue in this document sold by TI to Customer on an annual basis.

## TAPE AND REEL INFORMATION



### QUADRANT ASSIGNMENTS FOR PIN 1 ORIENTATION IN TAPE



\*All dimensions are nominal

Device	Package Type	Package Drawing	Pins	SPQ	Reel Diameter (mm)	Reel Width W1 (mm)	A0 (mm)	B0 (mm)	K0 (mm)	P1 (mm)	W (mm)	Pin1 Quadrant
TPA2010D1YZFR	DSBGA	YZF	9	3000	180.0	8.4	1.65	1.65	0.81	4.0	8.0	Q1
TPA2010D1YZFT	DSBGA	YZF	9	250	180.0	8.4	1.65	1.65	0.81	4.0	8.0	Q1

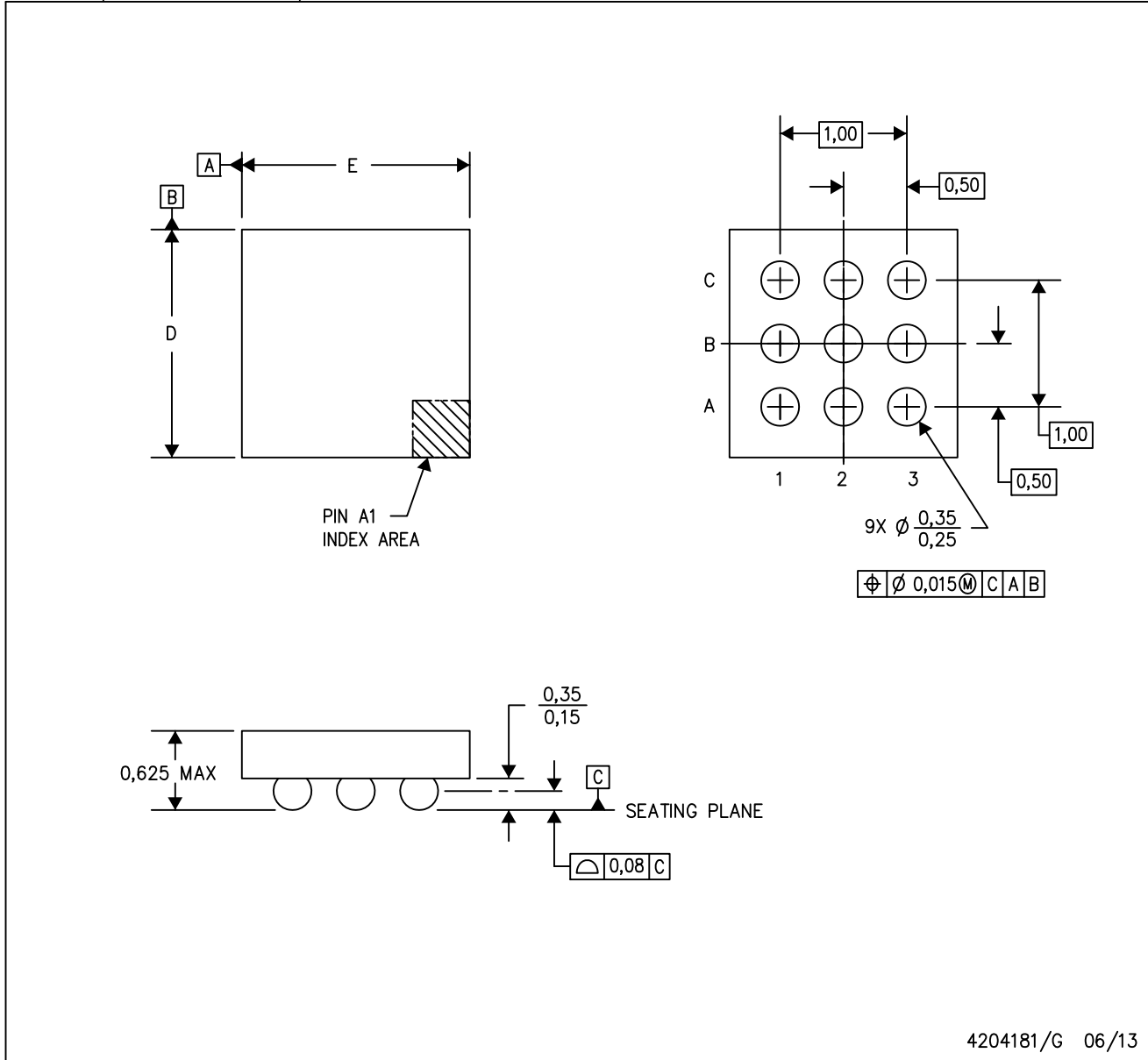
**TAPE AND REEL BOX DIMENSIONS**


\*All dimensions are nominal

Device	Package Type	Package Drawing	Pins	SPQ	Length (mm)	Width (mm)	Height (mm)
TPA2010D1YZFR	DSBGA	YZF	9	3000	182.0	182.0	17.0
TPA2010D1YZFT	DSBGA	YZF	9	250	182.0	182.0	17.0

YEF (S-XBGA-N9)

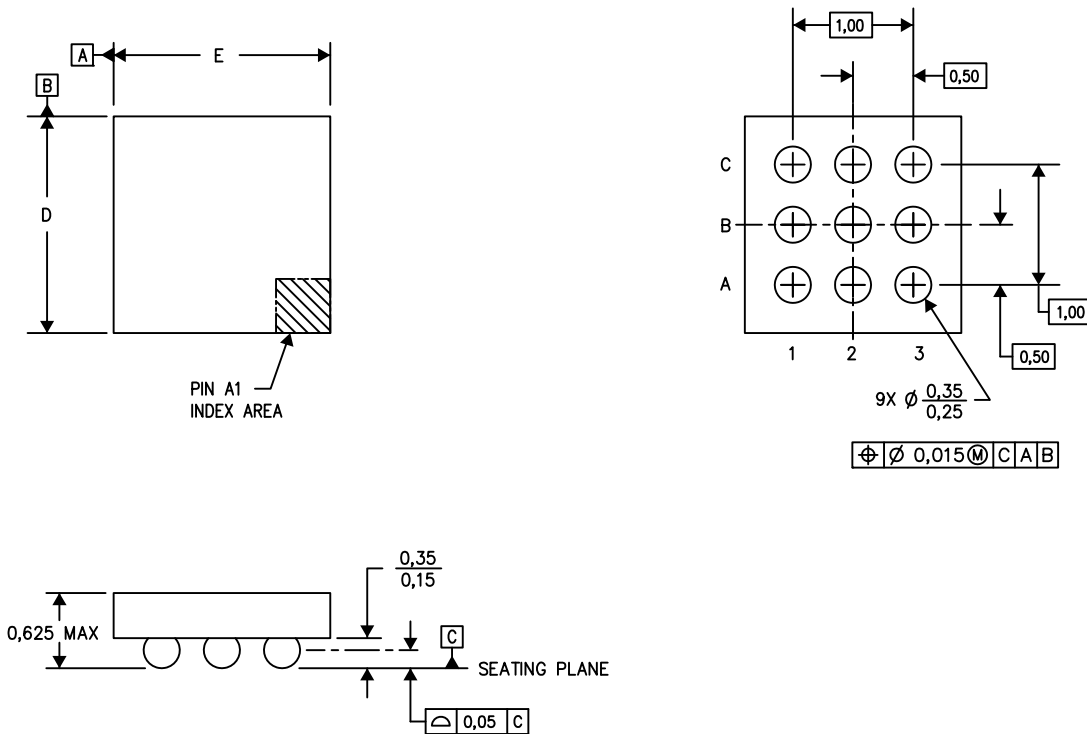
DIE-SIZE BALL GRID ARRAY



- NOTES:
- A. All linear dimensions are in millimeters.
  - B. This drawing is subject to change without notice.
  - C. NanoStar™ package configuration.

YZF (S-XBGA-N9)

DIE-SIZE BALL GRID ARRAY



D: Max = 1.482 mm, Min = 1.422 mm  
 E: Max = 1.48 mm, Min = 1.42 mm

4205058-4/P 07/13

- NOTES:
- A. All linear dimensions are in millimeters. Dimensioning and tolerancing per ASME Y14.5M-1994.
  - B. This drawing is subject to change without notice.
  - C. NanoFree™ package configuration.

NanoFree is a trademark of Texas Instruments.



## IMPORTANT NOTICE

Texas Instruments Incorporated and its subsidiaries (TI) reserve the right to make corrections, enhancements, improvements and other changes to its semiconductor products and services per JESD46, latest issue, and to discontinue any product or service per JESD48, latest issue. Buyers should obtain the latest relevant information before placing orders and should verify that such information is current and complete. All semiconductor products (also referred to herein as "components") are sold subject to TI's terms and conditions of sale supplied at the time of order acknowledgment.

TI warrants performance of its components to the specifications applicable at the time of sale, in accordance with the warranty in TI's terms and conditions of sale of semiconductor products. Testing and other quality control techniques are used to the extent TI deems necessary to support this warranty. Except where mandated by applicable law, testing of all parameters of each component is not necessarily performed.

TI assumes no liability for applications assistance or the design of Buyers' products. Buyers are responsible for their products and applications using TI components. To minimize the risks associated with Buyers' products and applications, Buyers should provide adequate design and operating safeguards.

TI does not warrant or represent that any license, either express or implied, is granted under any patent right, copyright, mask work right, or other intellectual property right relating to any combination, machine, or process in which TI components or services are used. Information published by TI regarding third-party products or services does not constitute a license to use such products or services or a warranty or endorsement thereof. Use of such information may require a license from a third party under the patents or other intellectual property of the third party, or a license from TI under the patents or other intellectual property of TI.

Reproduction of significant portions of TI information in TI data books or data sheets is permissible only if reproduction is without alteration and is accompanied by all associated warranties, conditions, limitations, and notices. TI is not responsible or liable for such altered documentation. Information of third parties may be subject to additional restrictions.

Resale of TI components or services with statements different from or beyond the parameters stated by TI for that component or service voids all express and any implied warranties for the associated TI component or service and is an unfair and deceptive business practice. TI is not responsible or liable for any such statements.

Buyer acknowledges and agrees that it is solely responsible for compliance with all legal, regulatory and safety-related requirements concerning its products, and any use of TI components in its applications, notwithstanding any applications-related information or support that may be provided by TI. Buyer represents and agrees that it has all the necessary expertise to create and implement safeguards which anticipate dangerous consequences of failures, monitor failures and their consequences, lessen the likelihood of failures that might cause harm and take appropriate remedial actions. Buyer will fully indemnify TI and its representatives against any damages arising out of the use of any TI components in safety-critical applications.

In some cases, TI components may be promoted specifically to facilitate safety-related applications. With such components, TI's goal is to help enable customers to design and create their own end-product solutions that meet applicable functional safety standards and requirements. Nonetheless, such components are subject to these terms.

No TI components are authorized for use in FDA Class III (or similar life-critical medical equipment) unless authorized officers of the parties have executed a special agreement specifically governing such use.

Only those TI components which TI has specifically designated as military grade or "enhanced plastic" are designed and intended for use in military/aerospace applications or environments. Buyer acknowledges and agrees that any military or aerospace use of TI components which have **not** been so designated is solely at the Buyer's risk, and that Buyer is solely responsible for compliance with all legal and regulatory requirements in connection with such use.

TI has specifically designated certain components as meeting ISO/TS16949 requirements, mainly for automotive use. In any case of use of non-designated products, TI will not be responsible for any failure to meet ISO/TS16949.

### Products

Audio	<a href="http://www.ti.com/audio">www.ti.com/audio</a>
Amplifiers	<a href="http://amplifier.ti.com">amplifier.ti.com</a>
Data Converters	<a href="http://dataconverter.ti.com">dataconverter.ti.com</a>
DLP® Products	<a href="http://www.dlp.com">www.dlp.com</a>
DSP	<a href="http://dsp.ti.com">dsp.ti.com</a>
Clocks and Timers	<a href="http://www.ti.com/clocks">www.ti.com/clocks</a>
Interface	<a href="http://interface.ti.com">interface.ti.com</a>
Logic	<a href="http://logic.ti.com">logic.ti.com</a>
Power Mgmt	<a href="http://power.ti.com">power.ti.com</a>
Microcontrollers	<a href="http://microcontroller.ti.com">microcontroller.ti.com</a>
RFID	<a href="http://www.ti-rfid.com">www.ti-rfid.com</a>
OMAP Applications Processors	<a href="http://www.ti.com/omap">www.ti.com/omap</a>
Wireless Connectivity	<a href="http://www.ti.com/wirelessconnectivity">www.ti.com/wirelessconnectivity</a>

### Applications

Automotive and Transportation	<a href="http://www.ti.com/automotive">www.ti.com/automotive</a>
Communications and Telecom	<a href="http://www.ti.com/communications">www.ti.com/communications</a>
Computers and Peripherals	<a href="http://www.ti.com/computers">www.ti.com/computers</a>
Consumer Electronics	<a href="http://www.ti.com/consumer-apps">www.ti.com/consumer-apps</a>
Energy and Lighting	<a href="http://www.ti.com/energy">www.ti.com/energy</a>
Industrial	<a href="http://www.ti.com/industrial">www.ti.com/industrial</a>
Medical	<a href="http://www.ti.com/medical">www.ti.com/medical</a>
Security	<a href="http://www.ti.com/security">www.ti.com/security</a>
Space, Avionics and Defense	<a href="http://www.ti.com/space-avionics-defense">www.ti.com/space-avionics-defense</a>
Video and Imaging	<a href="http://www.ti.com/video">www.ti.com/video</a>

### TI E2E Community

[e2e.ti.com](http://e2e.ti.com)