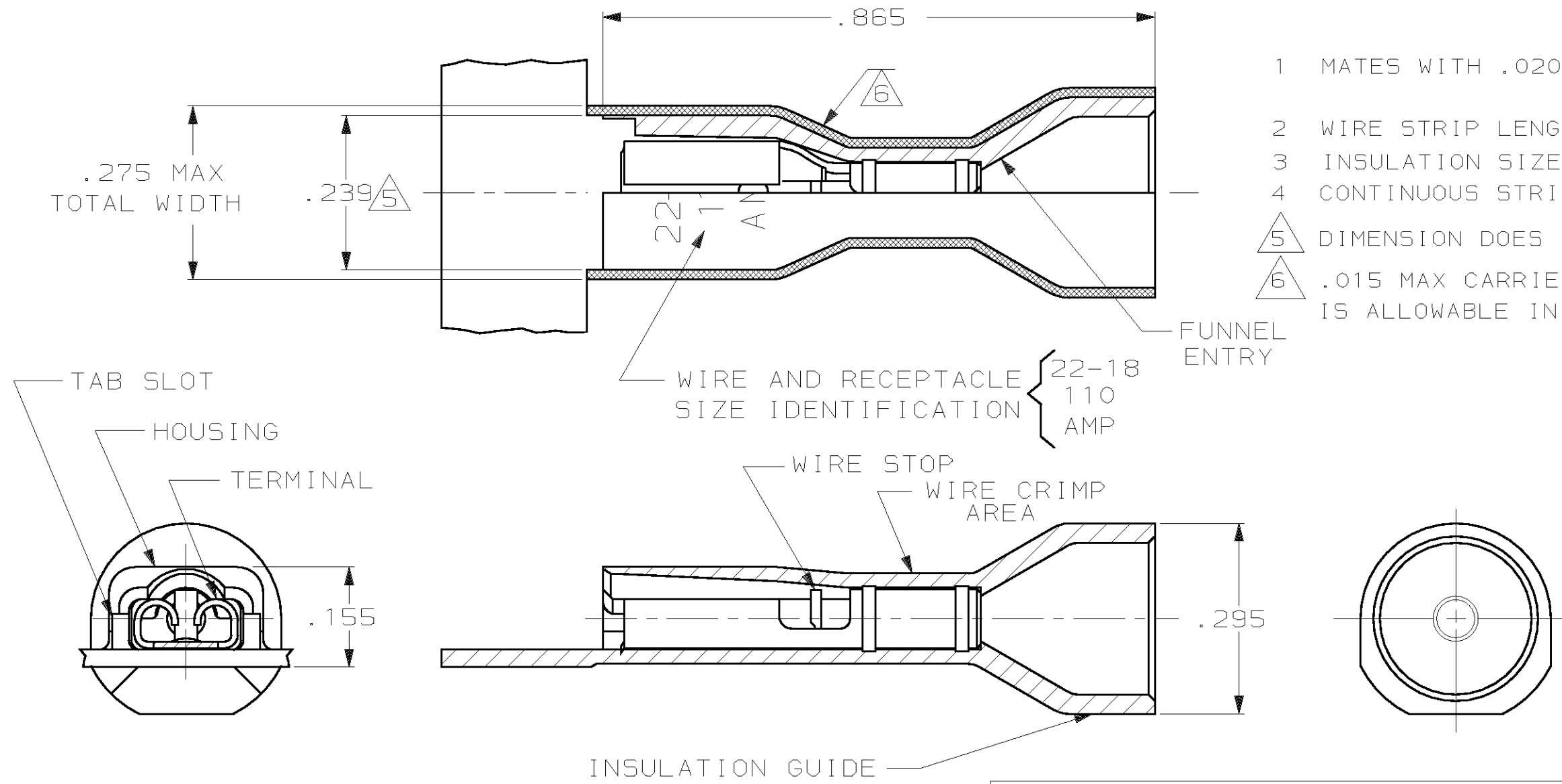


THIS DRAWING IS UNPUBLISHED. RELEASED FOR PUBLICATION, 19  
 © COPYRIGHT 19 BY AMP INCORPORATED. ALL INTERNATIONAL RIGHTS RESERVED.

LOC AF	DIST 50	P	F	REVISIONS			DATE	APPD
				ZONE	LTR	DESCRIPTION		
					J	REV PER 0G1A-0145-99	3JUN99	JR/JH



- 1 MATES WITH .020±.001 X .110 OR .125 TABS
- 2 WIRE STRIP LENGTH .281
- 3 INSULATION SIZE .230 MAX DIA
- 4 CONTINUOUS STRIP ON REELS
- 5 DIMENSION DOES NOT INCLUDE TRIM BURR
- 6 .015 MAX CARRIER TRIM BURR PER SIDE IS ALLOWABLE IN THE SHADED AREA

HOUSING: NYLON, COLOR-RED TRANSLUCENT  
 RECEPTACLE: #3 HARD BRASS  
 TIN PL .000080 MIN THK PER MIL-T-10727

2-520306-2

MATERIAL & FINISH		PART NO	
DO NOT SCALE PRINT. UNLESS SPECIFIED DIMENSIONS IN INCHES TOLERANCES ON: 2 PLC DEC ± - 3 PLC DEC ± .015 ANGLES ± -		AMP INCORPORATED Harrisburg, Pa. 17105	
MATERIAL SEE TABLE		NAME RECEPTACLE ASSY, ULTRA-FAST, .110/.125 SERIES, 22-18 AWG	
FINISH SEE TABLE		SIZE <b>B</b>	FSCM NO 00779
		DRAWING NO 520306	
		SCALE 5:1	SHEET 1 OF 1