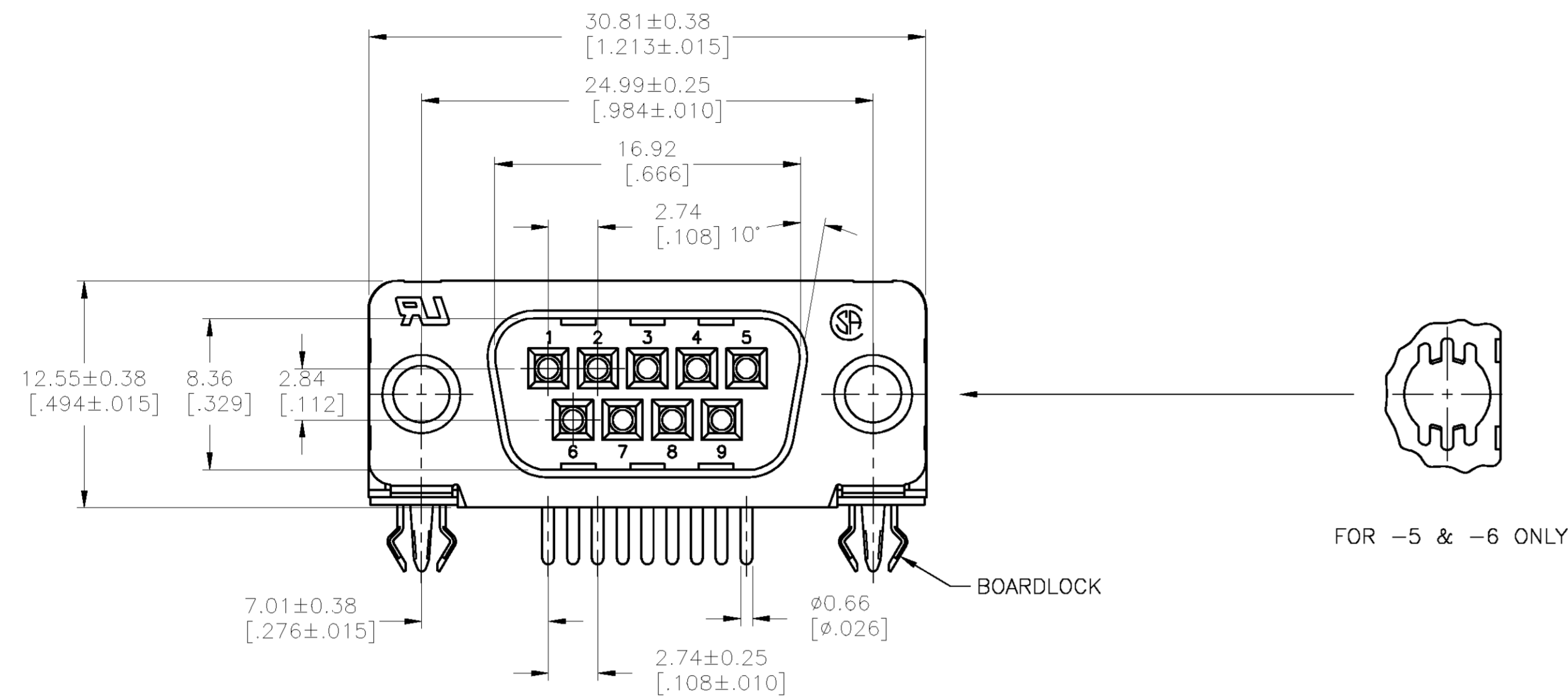
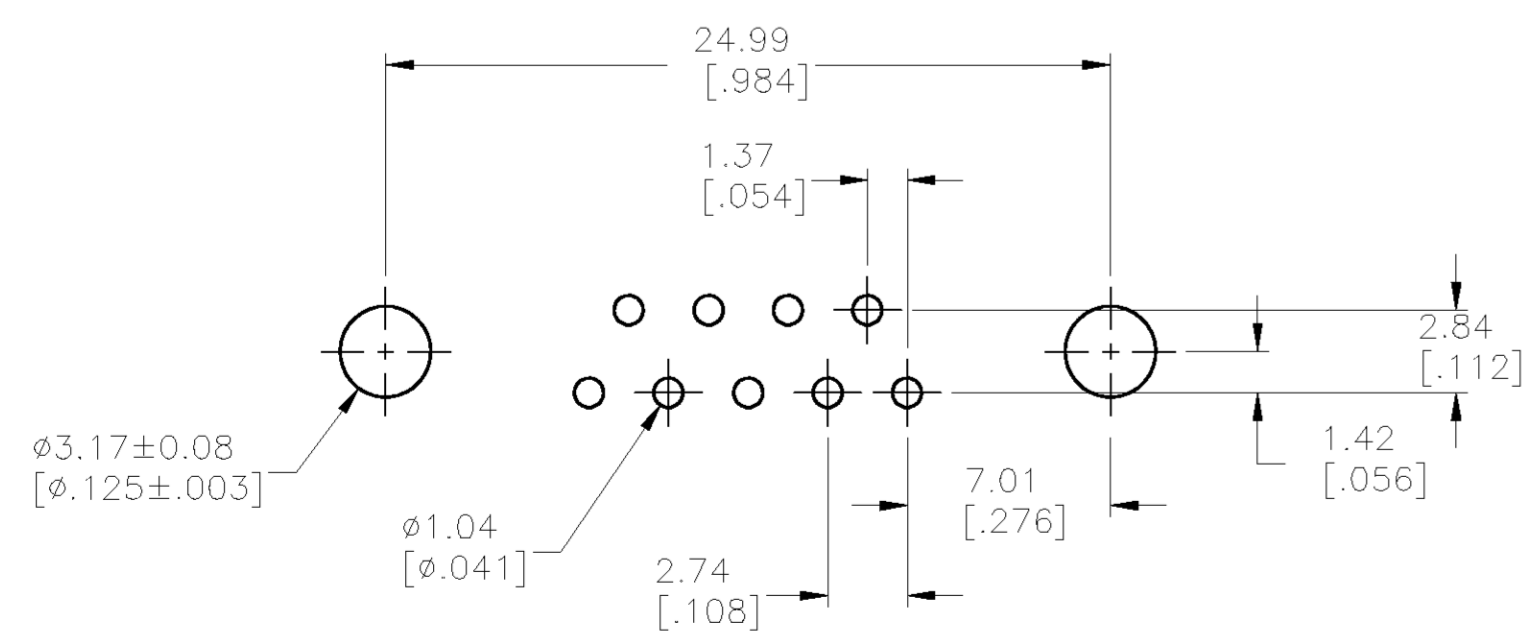
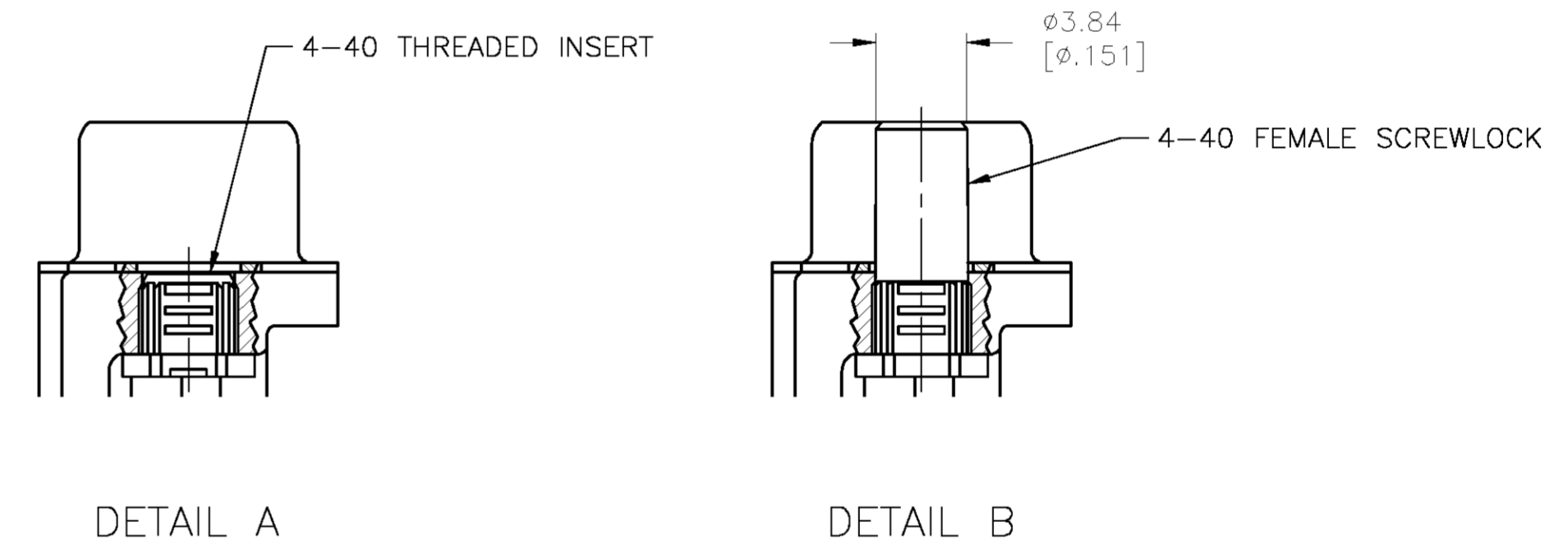
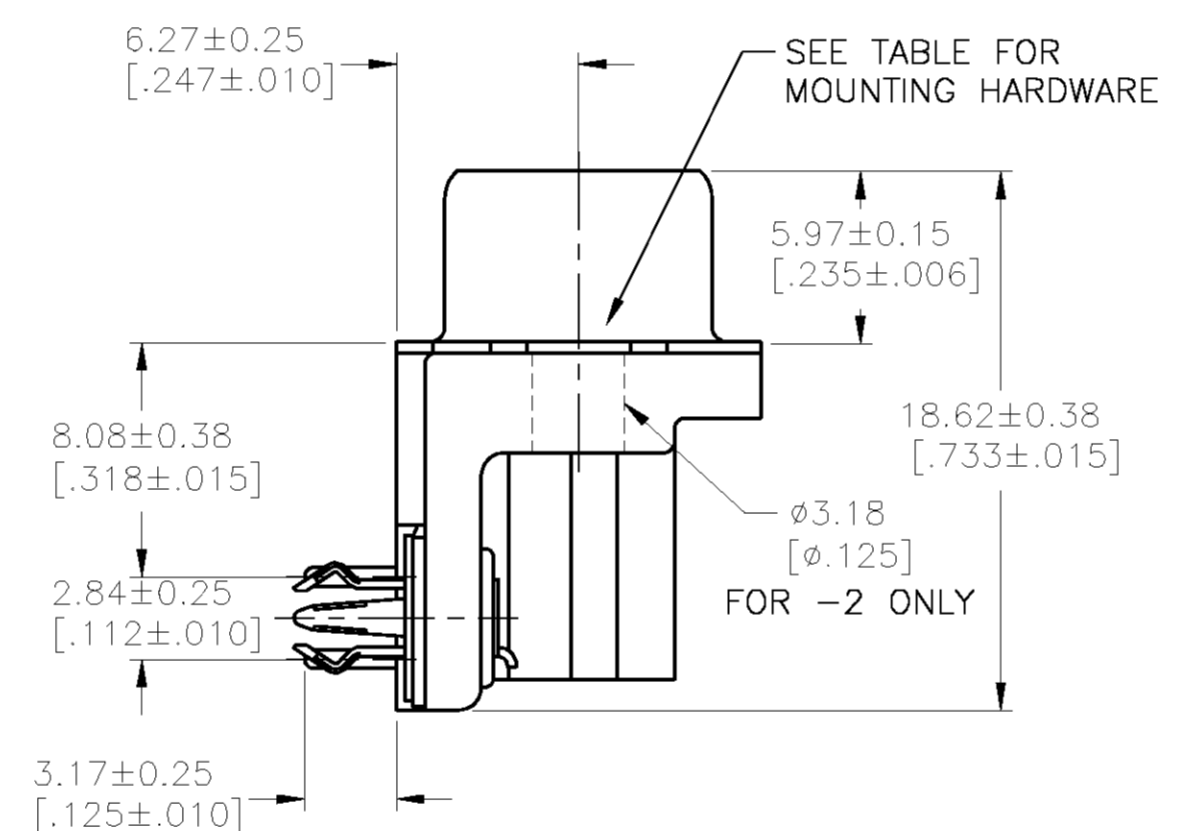
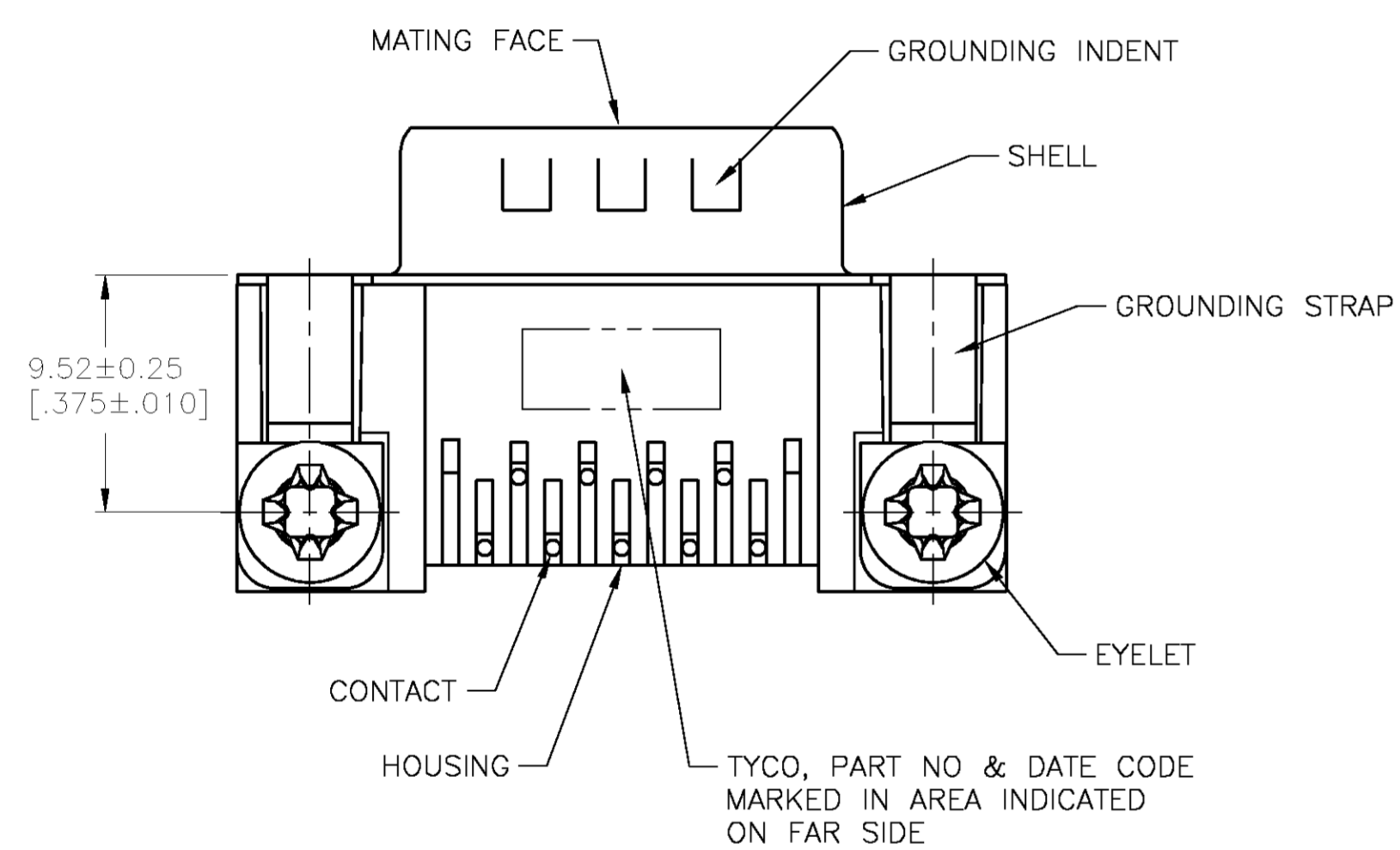


LOC		DIST		REVISIONS			
P	LTR	DESCRIPTION	DATE	DWN	APVD		
0		RELEASED PER EC 0513-0671-04	07FEB05	JG	SB		



- ⚠ HOUSING: NYLON OR POLYESTER, FLAME RETARDANT, 94V-0 RATED, COLOR BLACK.  
SHELL: CARBON STEEL.  
CONTACTS: BRASS.  
EYELETS: BRASS.  
BOARDLOCKS: COPPER ALLOY.  
INSERTS: ZINC.  
SCREWLOCKS: ZINC.
- ⚠ SHELL: 0.00254[.000100] MIN TIN OVER 0.00127[.000050] MIN COPPER.  
CONTACTS: SEE TABLE.  
EYELETS: 0.00508[.000200] MIN TIN OVER COPPER FLASH.  
BOARDLOCKS: 0.00508[.000200] MIN TIN OVER 0.00127[.000050] MIN NICKEL.  
INSERTS: CLEAR CHROMATE.  
SCREWLOCKS: CLEAR CHROMATE.
- ⚠ 0.00076[.000030] MIN GOLD ON MATING END, 0.00254[.000100] MIN TIN ON SOLDER END, ALL OVER 0.00127[.000050] MIN NICKEL.
- ⚠ GOLD FLASH ON MATING END, 0.00254[.000100] MIN TIN ON SOLDER END, ALL OVER 0.00127[.000050] MIN NICKEL.



RECOMMENDED PC BOARD LAYOUT  
 1.57[.062] PC BOARD  
 (VIEWED FROM CONNECTOR SIDE)

⚠	SEE DETAIL B	5747840-6
⚠	SEE DETAIL B	5747840-5
⚠	SEE DETAIL A	5747840-4
⚠	SEE DETAIL A	5747840-3
⚠	NONE	5747840-2
	CONTACT FINISH	MOUNTING HARDWARE
		PART NUMBER

**COPYRIGHT 2005  
 TYCO ELECTRONICS CORP  
 ALL RIGHTS RESERVED**

DIMENSIONS:		TOLERANCES UNLESS OTHERWISE SPECIFIED:		DWN		CHK		APVD		NAME	
mm	[INCHES]	mm	[INCHES]	J. GERACE	07FEB05	S. BOLASH	07FEB05	M. WALMSLEY	07FEB05	Tyco Electronics Corporation Harrisburg, Pa 17105	
0	PLC	±	-	PRODUCT SPEC		108-40025		APPLICATION SPEC		PLUG ASSEMBLY, SIZE 1, 9 POS, RIGHT ANGLE, FRONT METAL SHELL, 8.08[.318] SERIES, AMPLIMITE HD-20	
1	PLC	±	-	SIZE		114-40010		WEIGHT		RESTRICTED TO	
2	PLC	±	-	SCALE		4:1		SHEET		1 OF 1	
3	PLC	±	0.13[.005]	CUSTOMER DRAWING				REV		0	
4	PLC	±	-								
ANGLES		±									