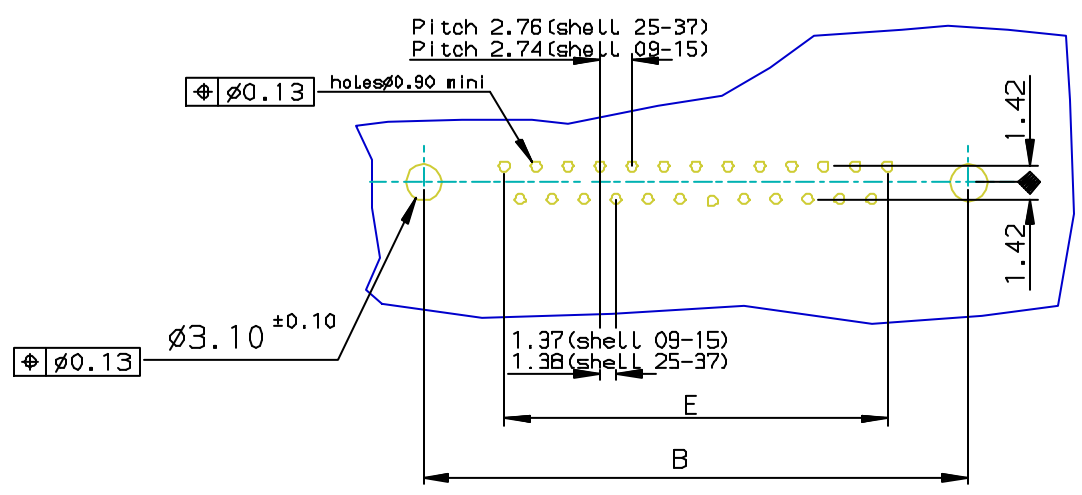


SHELL	A±0.38	B±0.12	C±0.10	D±0.25	E±0.07	PART NUMBER	
09	30.81	24.99	16.96	16.21	10.96	--	D09S33E6GX00**
15	39.14	33.32	25.18	24.54	19.18	--	D15S33E6GX00**
25	53.03	47.04	39.12	38.25	33.12	--	D25S33E6GX00**
37	69.32	63.50	55.68	54.71	49.68	D37S33E4GX00**	D37S33E6GX00**

GENERAL CHARACTERISTICS : SEE DRAWING C01-8646-0000

LF FOR LEAD FREE

PC card drilling dimensions(after plating)  
(thickness 1.60±0.20mm)



rev	ecn no	dr	date
B	105-0124	JS	2005/07/27
C	106-0074	SK	2006/06/08
-	-	-	-
-	-	-	-
-	-	-	-
-	-	-	-

www.fciconnect.com		surface ISO 1302 ✓	tolerance std ISO 406 ISO 1101	projection mm
TOLERANCES UNLESS OTHERWISE SPECIFIED				
Dr	JOHN SLEEBA	1994/10/14	ANGULAR	0.X ±0.1
Eng	GEORGE VJ	1994/10/14	LINEAR	0.XX ±0.1
Chr	GEORGE VJ	2005/07/27	0.XX* ±1*	0.XXX ±0.1
Appr	KVSD	2005/07/27	Product family	D-SUB Spec ref -
FCi		title SOCKET CONNECT.DELTA D RIGHT ANGLE WITH NUT,HARPOON AND METAL PLATE		Rev. C
catalog no		DELTA-D		sheet 1 of 1
drawing no		C01-8646-0823		CUSTOMER

European Views

Copyright FCI



REV F - 2006-04-17