



Quick Reference

Search by part #

Check distributor part inventory

Products

Browse Products

-By Device -

-By Product Line-

-Attachment Methods

-Interface Materials -

-Accessories -

Useful Links

- [MSDS Safety Sheets](#)
- [How to order?](#)
- [Find Sales Rep](#)
- [Find Distributor](#)
- [Sample Request](#)
- [Quote Request](#)
- [Catalog Request](#)
- [Building a part #](#)
- [Part # Cross Ref](#)

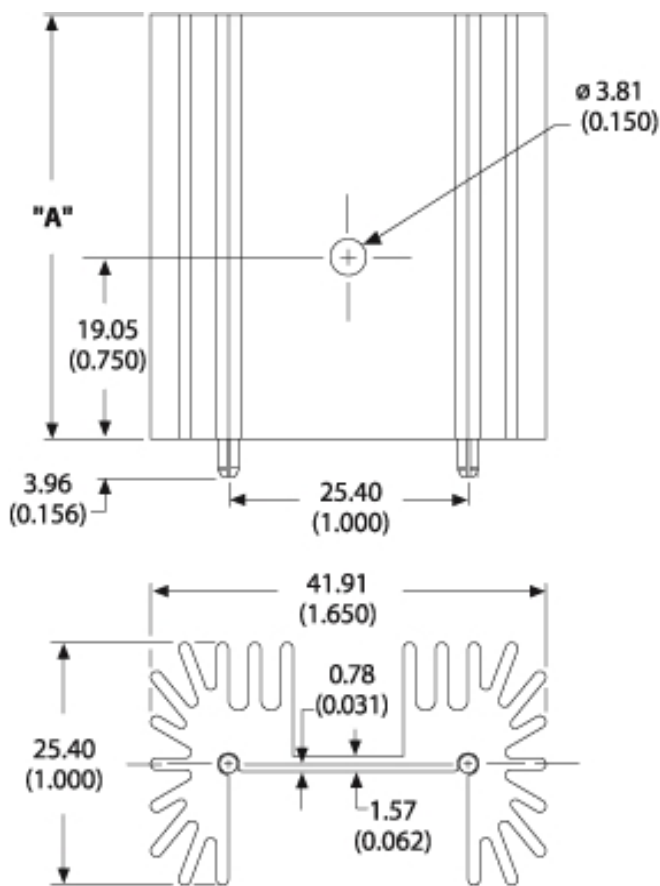
For use with TO -220 packages

[Printer friendly version](#)

Part Number - 6398BG

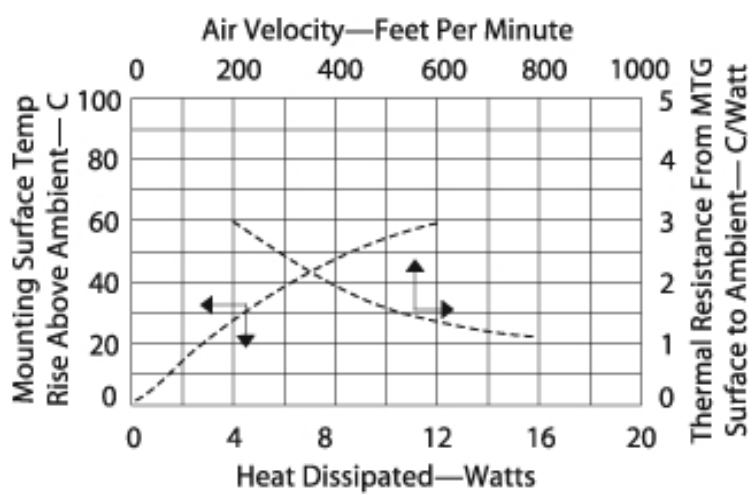


Mechanical Outline Drawing



A Dim 38.10

Thermal Curves



Thermal Resistance	4.40
---------------------------	------

Thermal resistance value is based on a 75°C rise in natural convection

Product Information

Part #	Description	Finish	Board Mounting
6398BG	High power extruded Heatsink with large radial fins and straight pins	Black Anodize	View Hole Dimensions

Not Exactly what you need?

We offer several options for those applications which require a more unique solution. For slight modifications of this part or other attachment options, finishes, and interface materials, contact your [local representative](#). Challenge us with your thermal requirements - we can design custom solutions.