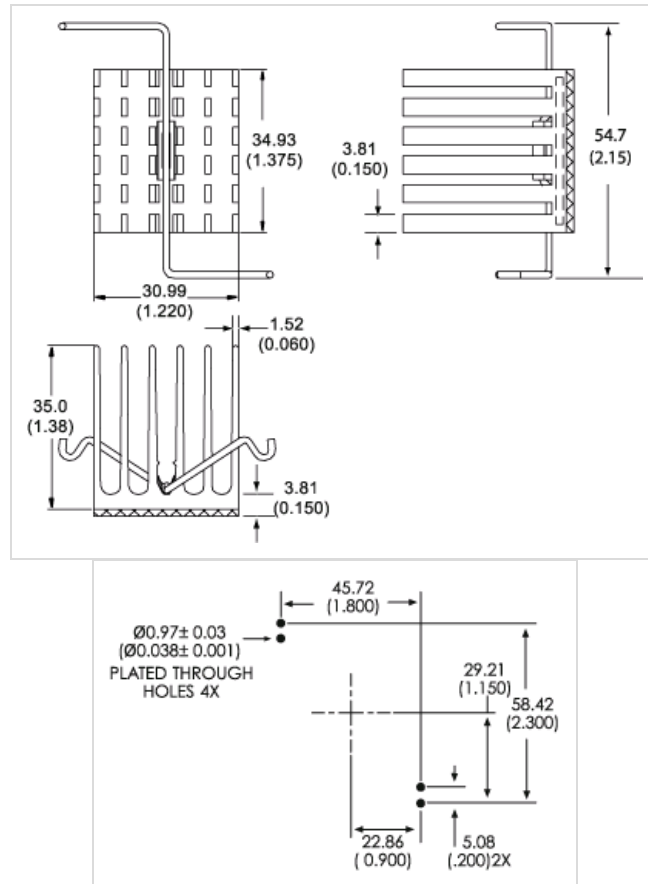


» BGA Heat Sinks

10-THMA-01G

Solder Anchor heat sink for Flip Chip

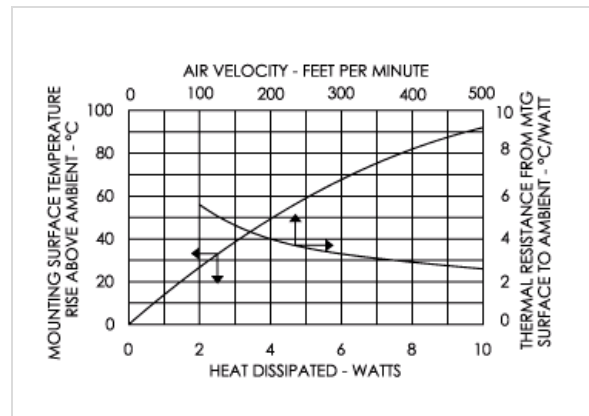
RoHS: compliant



- Width:** 31.00
- Length:** 34.90
- Height:** 35.00
- Base Thickness:** 3.81
- Fin Thickness:** Length 3.81, Width 1.52
- # of Fins:** Length 6, Width 6
- Fin Tip to Tip:** 0.00
- Finish:** Black Anodize

Thermal Performance

- Natural Convection:** 10.70
- Forced convection:** 3.95
- Thermal Curve:**



Need assistance?

Call us: 1-855-32-AAVID
Email: estore@aavid.com

» [Help Page](#)

- > [Request a Sample](#)
- > [Request a Quote](#)
- > [Ask an Engineer](#)

The Fine Print

- [Product Return Policy](#)
- [Terms & Conditions](#)
- [Privacy Policy](#)

Customer Assistance

- [Contact Us](#)
- [Get Design Assistance](#)
- [Find a Distributor](#)
- [Find a Sales Rep](#)
- [Request a Quote](#)
- [Placing an Order](#)
- [Terms and Conditions](#)
- [Returns](#)

Popular Products

- [Fans](#)
- [Extrusions](#)
- [Board Level](#)
- [Liquid Cooling](#)
- [Heat Pipe Technology](#)
- [Heat Sink Accessories](#)
- [Interface Materials](#)

Our Company

- [News and Events](#)
- [Management Team](#)
- [Worldwide Locations](#)
- [Directions to Headquarters](#)
- [Disclaimer](#)
- [Customer Survey](#)
- [Privacy Policy](#)

Connect with Aavid

Sign up for Aavid News & Alerts

Like / Follow / Connect



© Copyright 2015 Aavid Thermalloy, LLC.