

Shock-Safe Fuseholder, 5 x 20 mm, Slot/Fingergrip, horizontal, IEC 60335-1



Fingergrip

250 VAC · 2.5 W/10 A (VDE) · 400 VAC · 16 A (UL/CSA)



### Description

- Meets the new requirements of IEC 60335-1 for appliances in unattended use (clause 30.2.3). This includes the enhanced requirements of glow wire tests acc. to IEC 60695-2-12 and -13. Order numbers: xxxx.xxxx.15
- Horizontal style

### Standards

- IEC 60127-6
- UL 4248-1 / UL 512
- CSA C22.2 no. 39

### Approvals

- VDE Certificate Number: 129098
- UL File Number: E39328
- CSA File Number: 38456


### Applications

- Industrial electronic
- Household appliances
- Medical equipment

### Weblinks

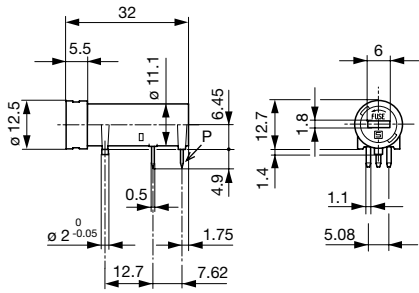
[pdf-datasheet](#), [html-datasheet](#), [General Product Information](#), [Approvals](#), [CE declaration of conformity](#), [RoHS](#), [CHINA-RoHS](#), [REACH](#), [e-Shop](#), [SCHURTER-Stock-Check](#), [Distributor-Stock-Check](#), [Detailed request for product](#)

### Technical Data

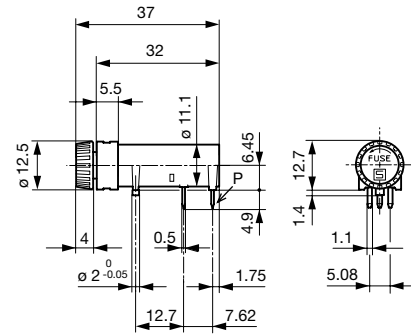
|                              |   |
|------------------------------|---|
| Shock-Safe Category          | PC2   |
| Fuse-Link                    | 5 x 20 mm   |
| Mounting                     | PCB   |
| Terminal                     | Solder THT  |
| Rated Voltage                | 250 VAC, 400 VAC (UL/CSA)   |
| Rated current                | 10 A (VDE), 16 A (UL/CSA)   |
| Rated Power Acceptance IEC   | 2.5 W / 10 A @ Ta 23 °C<br>Admissible power acceptance at higher ambient temperature see derating curves                                      |
| Degree of Protection         | IP 40   |
| Protection Class             | Suitable for appliances with protection class I or II acc. to IEC 61140   |
| Admissible Ambient Air Temp. | -40 °C to 85 °C   |
| Climatic Category            | 40/085/21 acc. to IEC 60068-1   |
| Material: Socket             | Thermoplastic, black, UL 94V-0  |
| Material: Terminals          | Tin-Plated Copper Alloy   |
| Unit Weight (Socket/Cap)     | 4.31 g  |
| Storage Conditions           | 0 °C to 60 °C, max. 70% r.h.  |
| Product Marking              |  Type, Rated voltage, Power Acc./Current Rating, Approvals |

|                              |  |
|------------------------------|--|
| Soldering Methods            | Wave   |
| Solderability                | 235 °C / 2 sec acc. to IEC 60068-2-20, Test Ta, method 1   |
| Resistance to Soldering Heat | 260 °C / 10 sec acc. to IEC 60068-2-20, Test Tb, method 1A |
| Contact Resistance           | < 5 mΩ at 20 mV  |
| Dielectric Strength          | > 3 kV (50 Hz; 1 min)                                      |
| Impulse Withstand Voltage    | > 2.5 kV between L-N                                       |
| Insulation Resistance        | > 10 MΩ between L-N (500 VDC; 1 min)                       |
| Overvoltage Category         | I - II acc. to IEC 60664-1                                 |
| Pollution Degree             | 1 - 3 acc. to IEC 60664-1                                  |
| Resistance to Vibration      | acc. to IEC 60068-2-6, test Fc                             |

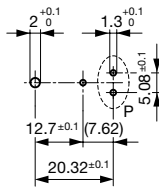
Dimension



Variant 3101.0050

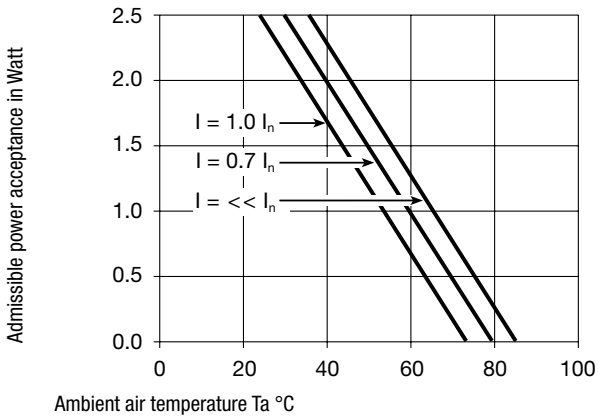


Connector, tinned  
Variant Fingergrasp 3101.0055



Drilling diagram

Derating Curves



All Variants

| Holder | Cap         | Terminal | Material              | Remark | Order Number |
|--------|-------------|----------|-----------------------|--------|--------------|
| •      | Slot Knob   | Straight | Thermoplastic         | -      | 3101.0050    |
| •      | Slot Knob   | Straight | Spec. Thermoplastic 1 | -      | 3101.0050.15 |
| •      | Fingergrasp | Straight | Thermoplastic         | -      | 3101.0055    |
| •      | Fingergrasp | Straight | Spec. Thermoplastic 1 | -      | 3101.0055.15 |

Most Popular.

Availability for all products can be searched real-time: <http://www.schurter.com/en/Stock-Check/Stock-Check-SCHURTER>

Spec. thermoplastic meets the new requirements of IEC 60335-1 for appliances in unattended use (clause 30.2.3). This standard includes the enhanced requirements of glow wire tests acc. to IEC 60695-2-12 and -13.

White and grey colours available on request

Packaging Unit Bulk 186 x 91 x 91 mm (100 pcs.)