

**PLEASE CHECK WWW.MOLEX.COM FOR LATEST PART INFORMATION**

**Part Number:** [0733910320](#)  
**Status:** **Active**  
**Overview:** [SMA RF Connectors](#)  
**Description:** 50 Ohms, SMA Jack, Right-Angle, PCB with Reverse Polarity

**Documents:**

[Drawing \(PDF\)](#) [RoHS Certificate of Compliance \(PDF\)](#)

**General**

Product Family	RF/Coax Connectors
Series	<a href="#">73391</a>
Overview	<a href="#">SMA RF Connectors</a>
Product Name	SMA
Style	PCB
UPC	800756586489
Wire/Cable Type	N/A

**Physical**

Gender	Jack
Keying to Mating Part	None
Net Weight	2.862/g
Orientation	Right Angle
PCB Mounting	Through Hole
Packaging Type	Tray
Panel Mount	No
Panel Mount Method	N/A
Reverse Polar	Yes

**Electrical**

Impedance	50#
-----------	-----

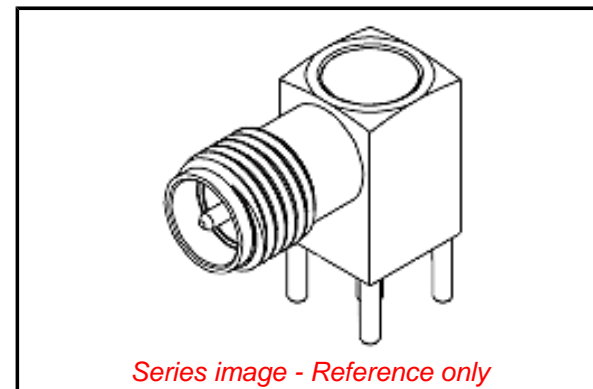
**Solder Process Data**

Duration at Max. Process Temperature (seconds)	005
Lead-freeProcess Capability	SMC&WAVE
Max. Cycles at Max. Process Temperature	001
Process Temperature max. C	260

**Material Info**

**Reference - Drawing Numbers**

Sales Drawing	SD-73391-032
---------------	--------------



*Series image - Reference only*

**EU ELV**

**Not Relevant**

**EU RoHS**

**Compliant with Exemption 6(c)**

**REACH SVHC**

Contains SVHC(2014 December 17): No

**Halogen-Free**

**Status**

**Low-Halogen**

**Need more information on product environmental compliance?**

Email [productcompliance@molex.com](mailto:productcompliance@molex.com)  
Please visit the [Contact Us](#) section for any non-product compliance questions.

China ROHS

50 Image

ELV

Not Relevant

**Search Parts in this Series**

[73391](#) Series

**PLEASE CHECK WWW.MOLEX.COM FOR LATEST PART INFORMATION**