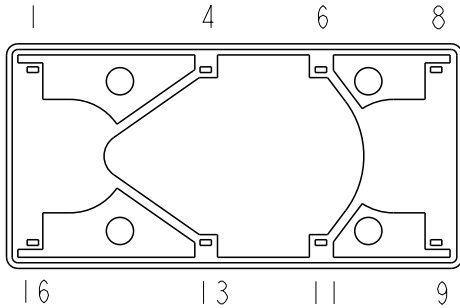
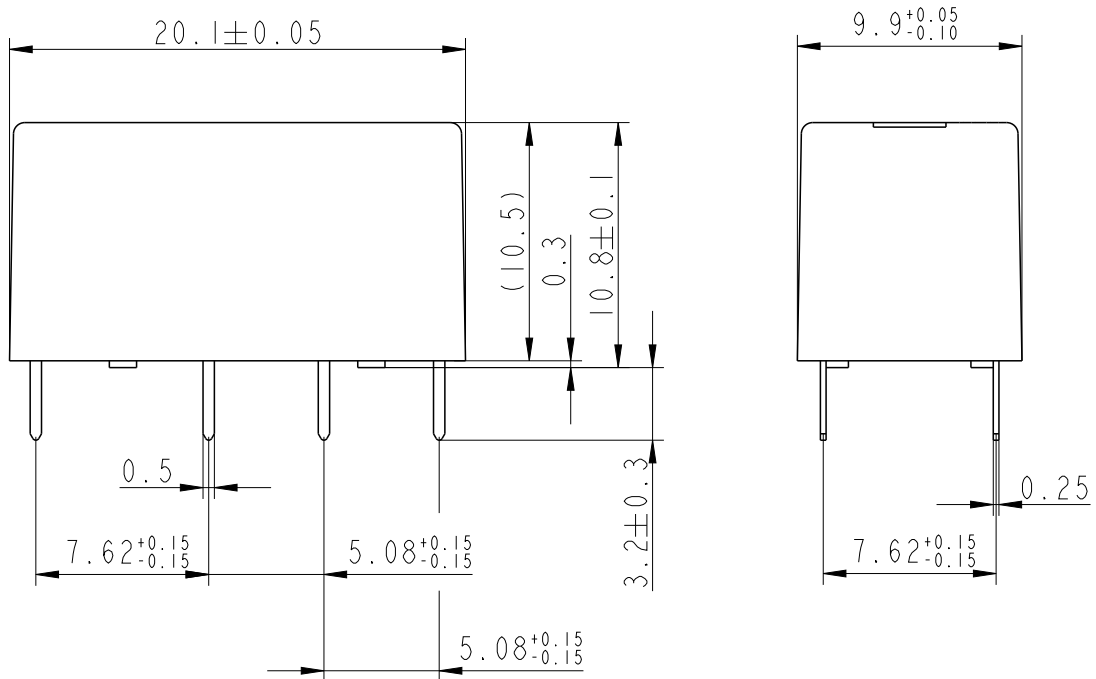


LOC	DIST	REVISIONS					
		P	LTR	DESCRIPTION	DATE	DWN	APVD
HJ	-						
		A4		Change C23303-A105-A1-*-27 to C-1393792-2	05May2004	MV	HD
		A5		change marking	28Jul2006	UKo	HD
		A6		Revised by ECO-11-005150	23Mar2011	RK	HMR
		A7		Revised relay dimensions	06Sep2012	MV	PH



Relay - bottom view



AXICOM

D2n

zzV DC

CRAUS

V23105-A5xxx-A201

xxx = Relay type
 zz = nominal voltage
 YYWW = Date code

alias C23303-A105-A1-*-27

RELEASED FOR PUBLICATION

ALL RIGHTS RESERVED.

BY -

© COPYRIGHT

THIS DRAWING IS UNPUBLISHED.

DIMENSIONS: mm	DWN MV10189	05May2004	MATERIAL	-	FINISH	-
	CHK HD9121	05May2004	 TE Connectivity			
TOLERANCES UNLESS OTHERWISE SPECIFIED: DIN 7168-m	APVD HD9121	05May2004				
0 PLC ±	PRODUCT SPEC	-	NAME D2n Relays Dimensions			
1 PLC ±	APPLICATION SPEC	-	SIZE	CAGE CODE	DRAWING NO	RESTRICTED TO
2 PLC ±			A4	00779	C-1393792-2	-
3 PLC ±						
4 PLC ±						
ANGLES ±						
	WEIGHT	-				
	CUSTOMER DRAWING			SCALE	3:1	SHEET 1 OF 1