

Break contact,Cage Clamp,Front



Powering Business Worldwide™

Part no. M22-CK01

Article no. 216385

Catalog No. M22-CK01Q

Delivery programme

Product range

Basic function

Standard/Approval

Construction size

Single unit/Complete unit

Connection technique

Fixing

Description

Contacts

N/C = Normally closed

Notes

Contact sequence

RMQ-Titan (drilling dimensions 22.5 mm)

Accessories

UL/CSA, IEC

NZM1/2/3/4

Element

Spring-loaded terminals

Front fixing

Cage Clamp is a registered trademark of Wago Kontakttechnik GmbH/Minden, Germany

1 NC 

 = safety function, by positive opening to IEC/EN 60947-5-1



General

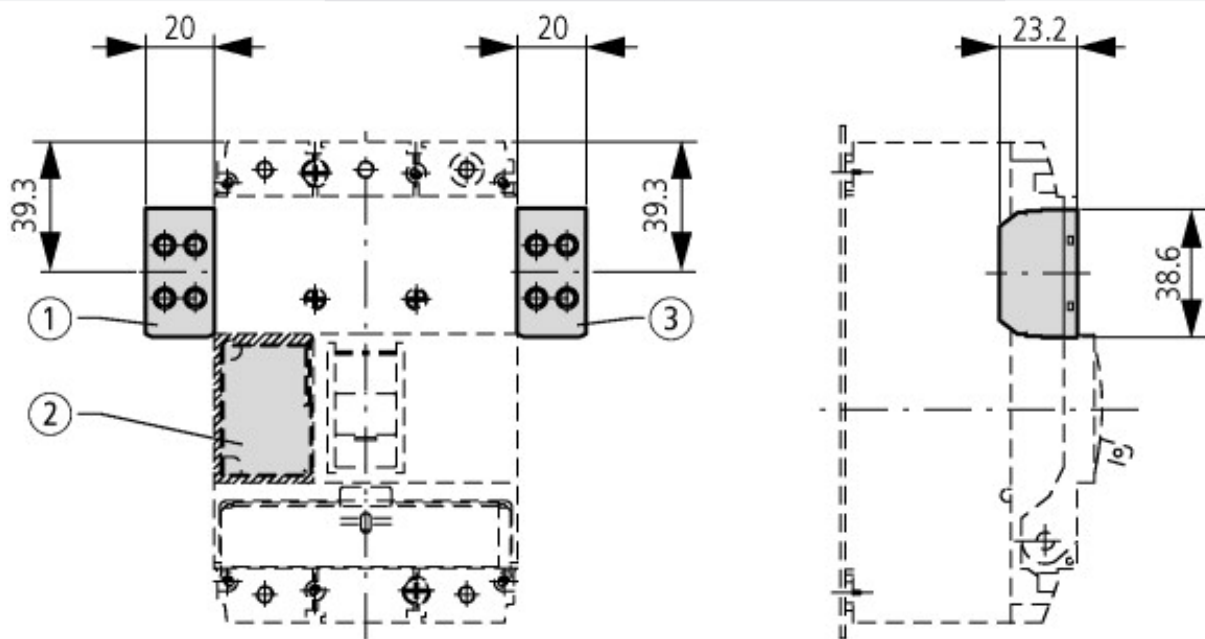
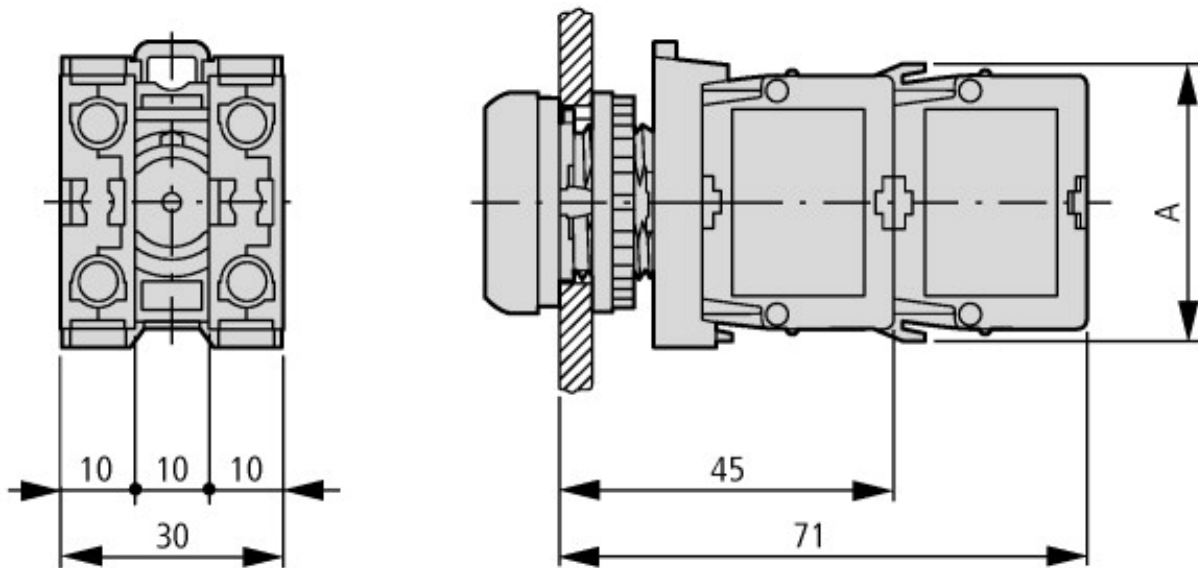
Standards		IEC/EN 60947 VDE 0660
Lifespan, mechanical	Operations $\times 10^6$	> 5
Operating frequency	Operations/h	≤ 3600
Actuating force	n	≤ 5
Operating torque (screw terminals)	Nm	≤ 0.8
Protection type		IP20
Climatic proofing		Damp heat, constant, to IEC 60068-2-78 Damp heat, cyclic, to IEC 60068-2-30
Ambient temperature	°C	
Open	°C	- 25 - + 70
Mounting position		As required
Mechanical shock resistance	g	30 Shock duration 11 ms Sinusoidal according to IEC 60068-2-27
Terminal capacities	mm ²	
Solid	mm ²	0.75 - 2.5
Stranded	mm ²	0.5 - 2.5

Contacts

Rated impulse withstand voltage	U_{imp}	V AC	6000
Rated insulation voltage	U_i	V	500
Overvoltage category/pollution degree			III/3
Control circuit reliability			
at 24 V DC/5 mA	H_F	Fault probability	$< 10^{-7}$ (i.e. 1 failure to 10^7 operations)
at 5 V DC/1 mA	H_F	Fault probability	$< 5 \times 10^{-6}$ (i.e. 1 failure in 5×10^6 operations)
Max. short-circuit protective device			
Fuseless		Type	PKZM0-10/FAZ-B6/1
Fuse	gG/gL	A	10

Switching capacity

Rated operational current	I_e	A	
AC-15			
115 V	I_e	A	6
220 V 230 V 240 V	I_e	A	6
380 V 400 V 415 V	I_e	A	4
500 V	I_e	A	2
DC-13			
42 V	I_e	A	1.7
60 V	I_e	A	1.2
110 V	I_e	A	0.8
Lifespan, electrical			
AC-15			
230 V/0.5 A	Operations	$\times 10^6$	1.6
230 V/1.0 A	Operations	$\times 10^6$	1



Pushbutton with M22-(C)K...
 Pushbutton with M22-(C) LED... + M22-XLED...

Additional product information (links)

IL04716002Z (AWA1160-1745) RMQ-Titan System

IL04716002Z (AWA1160-1745) RMQ-Titan System

ftp://ftp.moeller.net/DOCUMENTATION/AWA_INSTRUCTIONS/IL04716002Z2013_08.pdf