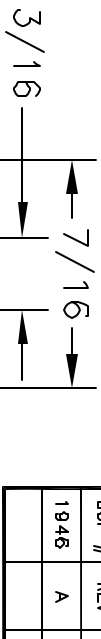
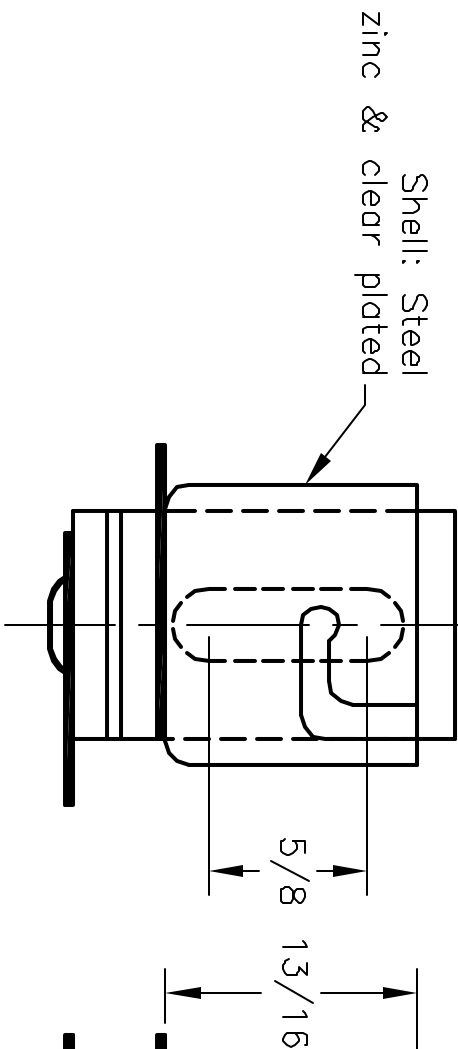
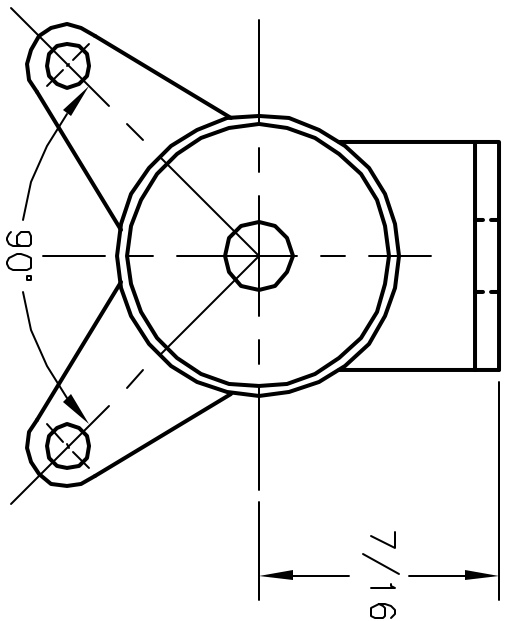


ALL RIGHTS RESERVED. NO PORTION OF THIS PUBLICATION, WHETHER IN WHOLE OR IN PART CAN BE REPRODUCED WITHOUT THE EXPRESS WRITTEN CONSENT OF SPC TECHNOLOGY.



REVISONS		DOC. NO. SPC-F005	Effective 12/21/98	DCP No 890				
DCP #	REV	DESCRIPTION	DRAWN	DATE	CHECKD	DATE	APPRVD	DATE
1948	A	RELEASED	HYD	2/16/00	JC	2/2/00	DJC	2/25/00



DISCLAIMER:
ALL STATEMENTS AND TECHNICAL INFORMATION CONTAINED HEREIN ARE BASED UPON INFORMATION AND/OR TESTS WE BELIEVE TO BE ACCURATE AND RELIABLE. SINCE CONDITIONS OF USE ARE BEYOND OUR CONTROL, THE USER SHALL DETERMINE THE SUITABILITY OF THE PRODUCT FOR THE INTENDED USE AND ASSUME ALL RISK AND LIABILITY WHATSOEVER IN CONNECTION THEREWITH.



SPC TECHNOLOGY

DRAWING TITLE: Single Contact Candelabra Bayonet Lampholder

DRAWN BY:	HISHAM ODISH	DATE:	2/16/00
CHECKED BY:	JOHN COLE	DATE:	2/2/00
APPROVED BY:	DANIEL CAREY	DATE:	2/25/00

SIZE	DWG. NO.	ELECTRONIC FILE	REV
A	SPC21734	16M1225.DWG	A
SCALE:	NTS	U.O.M.: INCHES	SHEET: 1 OF 1

Tolerances Unless Otherwise Specified
Fractional ± 1/64
Angular ± 1°