

MP2019 Series

Reed-based magnetic position sensor in plastic flange mount package



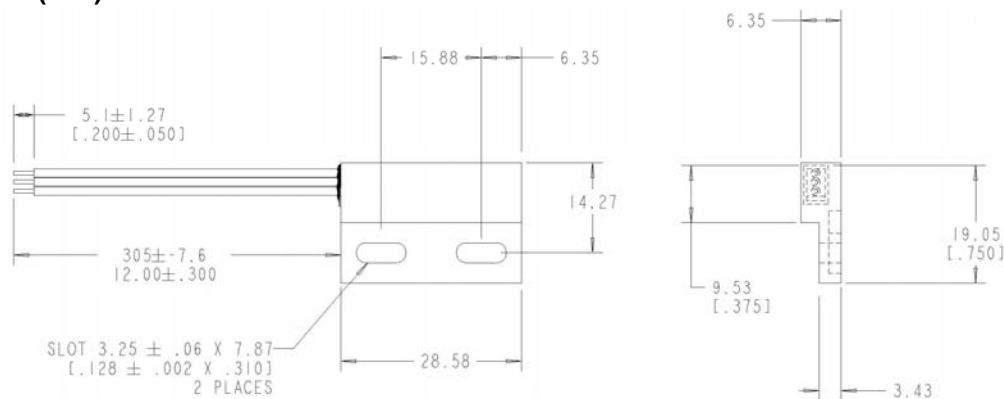
Features

- Immune to Hostile Environments
- Hermetically sealed for long life
- Suitable for DC and AC circuits
- Zero power consumption
- A standard magnetic actuator is available in the same housing (Part number AS201901)
- RoHS compliant

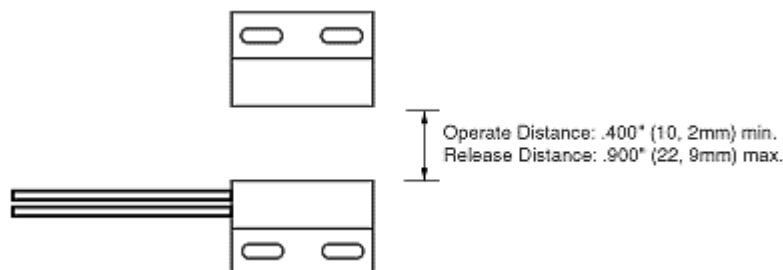
Specifications

| Part Number | Contact Form | Power Rating (W max) | Switching Voltage (AC/DC max) | Breakdown Voltage (VDC min) | Switching Current (Amps max) | Contact Resistance (Ohms max) | Operating Temp Range (°C) | Operate Time (msec typical) |
|-------------|----------------|----------------------|-------------------------------|-----------------------------|------------------------------|-------------------------------|---------------------------|-----------------------------|
| MP201901 | SPST-NO Form A | 10 | 175 | 200 | 0.5 | 0.200 | -40 to 105 | 1.0 |
| MP201902 | SPST-NC Form B | 3 | 30 | 200 | 0.2 | 0.100 | -40 to 105 | 1.0 |
| MP201903 | SPDT CO Form C | 3 | 30 | 200 | 0.2 | 0.100 | -40 to 105 | 1.0 |

Dimensions inches (mm)



Operate Distance with AS201901 Magnetic Actuator



Specifications subject to change without notice.

Last Updated 083011