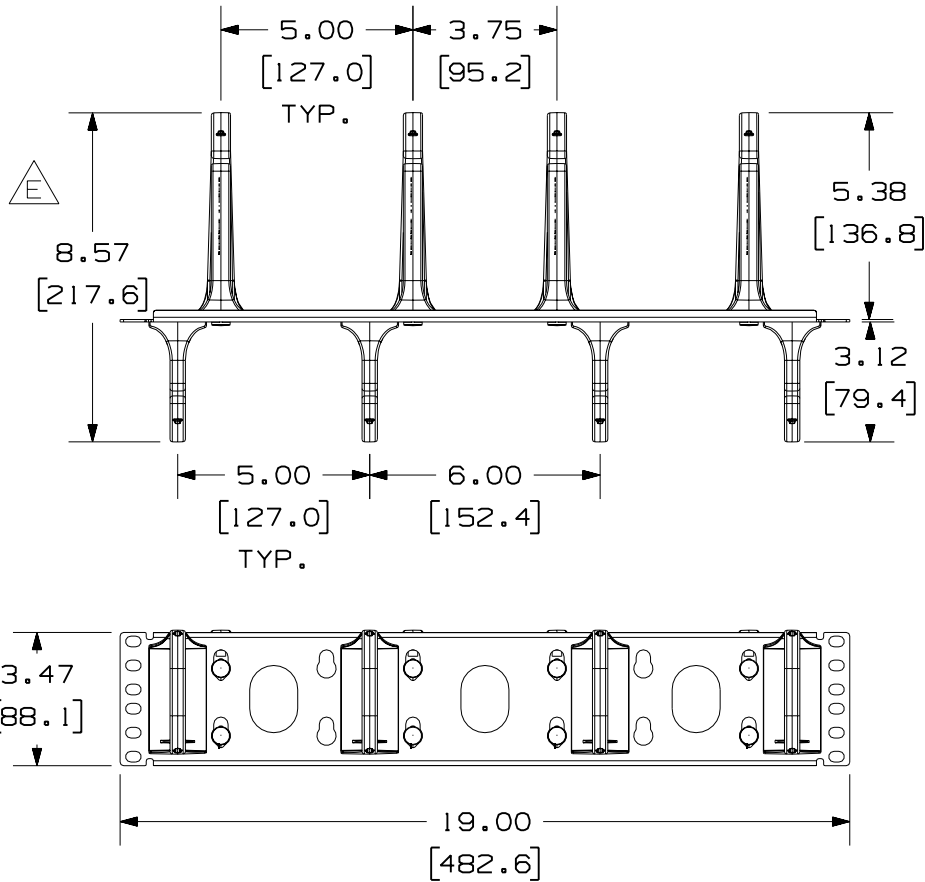
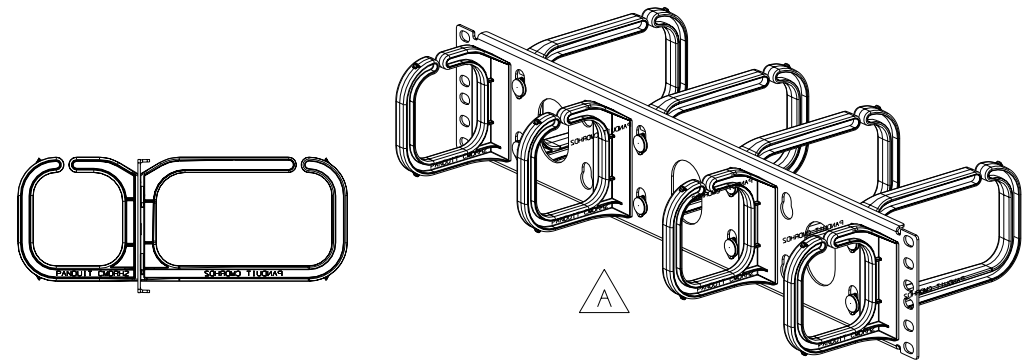


THIS COPY IS PROVIDED ON A RESTRICTED BASIS AND IS NOT TO BE USED IN ANY WAY DETRIMENTAL TO THE INTERESTS OF PANDUIT CORP.

PANDUIT P/N	WEIGHT
CMPH2	18.5 LB/10 PCS (8426.1g/10 PCS)



- NOTES:
- SEE CATALOG FOR COMPLETE LIST OF PARTS APPLICABLE FOR USE WITH THIS PART.
 - DIMENSIONS IN PARENTHESES ARE IN METRIC.
 - PARTS INCLUDED:
 - 4- SMALL D-RINGS
 - 4- LARGE D-RINGS
 - 1- STAMPING
 - 4- 12-24 SCREWS
 - 4- M6 METRIC SCREWS



CAD FILENAME/LAYERS M00072AB_DC_03A.PRT

PANDUIT CORP. TINLEY PARK, ILLINOIS

OPEN CABLE MANAGEMENT PANEL
HORIZONTAL (CMPH2)
CUSTOMER DRAWING

REV	DATE	BY	CHK	DESCRIPTION	ECN	CHK	CUST	SUP					
3	2-19-07	MLVO		E. MOVED DEPTH DIMENSION.	00072-15								
2	4-18-02	JDWE	KRKE	D. REMOVED NOTE 1. C. ADDED METRIC SCREWS.	00072-15	RTSU	RTSU						
1	9-30-99	KLGO	RLFR	B. ADDED PARTS INCLUDED. A. UPDATED TO REFLECT NEW DESIGN.	00072-15	CF	CF						
R	7-16-98	JSP	FJD	RELEASED TO PRODUCTION.	00072-15	FJD	FJD						
										UNLESS OTHERWISE SPECIFIED, DIMENSIONAL TOLERANCES ARE: (.X) ± (.XXX) ± .010(.3) (.XX) ± .03(.8) ANGLES ±		UNLESS OTHERWISE SPECIFIED, ALL DIMENSIONS ARE GIVEN IN INCHES, THIRD ANGLE PROJECTION.	
										DRAWN BY JSP		SCALE NONE	
										DATE 7-16-98		DRAWING NO. 00072-15	
										CHECKED BY FJD		DWG SIZE A	
										MAT'L: STAMPING- BLACK POWDER COATED STEEL			
										RINGS- BLACK PC			