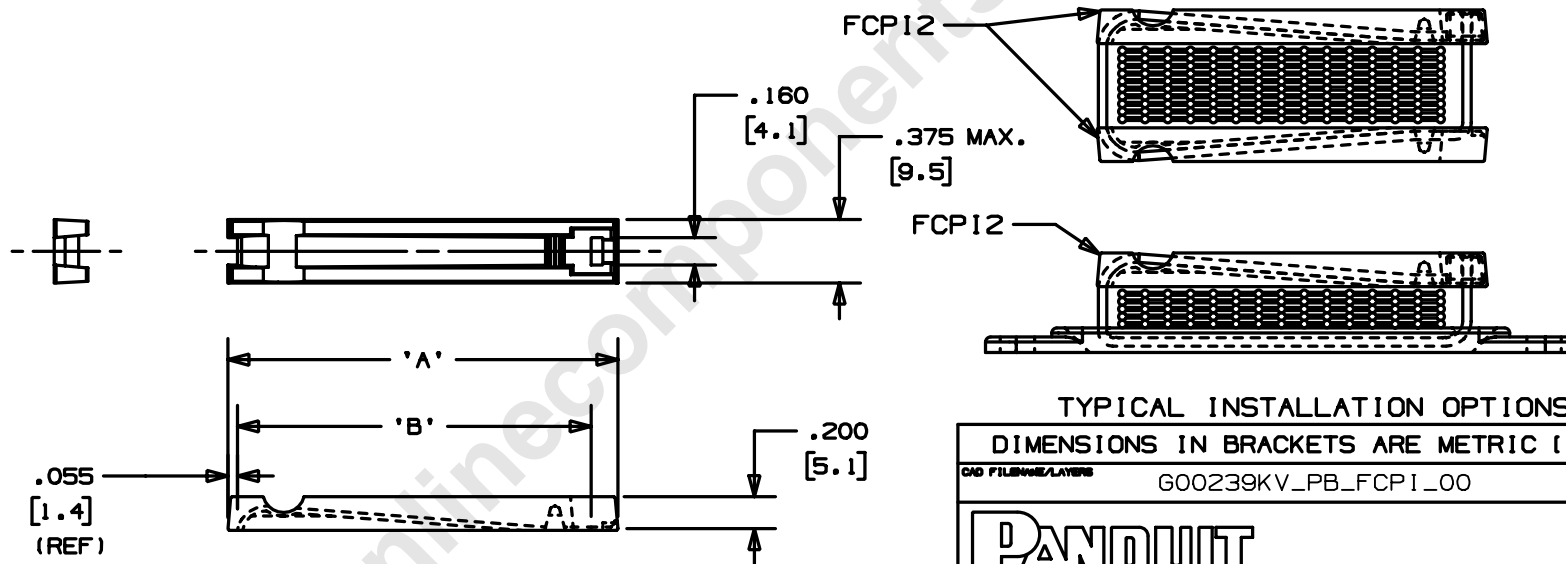


THIS COPY IS PROVIDED ON A RESTRICTED BASIS AND IS NOT TO BE USED IN ANY WAY DETRIMENTAL TO THE INTERESTS OF PANDUIT CORP.

PANDUIT PART NO. *	'A' MAX.	'B' MIN.	STACKING HEIGHT 'H' WHEN USED WITH INTERMEDIATE STRAP				WEIGHT lbs / 100 (g) / pcs.
			PLT1.5I	PLT2I	PLT3I	PLT4I	
FCPI1	1.29 (32.8)	1.04 (26.4)	0.8 (20.3)	2.0 (50.8)	3.7 (94)	5.2 (132.1)	.18 (81.7)
FCPI2	2.31 (58.7)	2.04 (51.8)	-----	1.0 (25.4)	2.7 (68.6)	4.2 (106.7)	.34 (154.4)
FCPI3	3.32 (84.3)	3.04 (77.2)	-----	-----	1.7 (43.2)	3.2 (81.3)	.52 (236.1)



NOTES

- SEE CURRENT PRICE SHEET FOR PART NUMBER SUFFIX DESIGNATION FOR PACKAGE SIZE.
- FCPI2 CAN BE USED WITH BASE FCB12, SEE PANDUIT DRAWING GB0239HY

TYPICAL INSTALLATION OPTIONS

DIMENSIONS IN BRACKETS ARE METRIC [mm]	
CAD FILENAME/LAYERS G00239KV_PB_FCPI_00	
PANDUIT CORP. TINLEY PARK, ILLINOIS	
FLAT CABLE MOUNT PLATE (FCPI_)	
UNLESS OTHERWISE SPECIFIED, DIMENSIONAL TOLERANCES ARE: (.X) ±0.05 (1.3) (.XXX) ±0.010 (0.25) (.XX) ±0.02 (0.5) ANGLES ± 5°	UNLESS OTHERWISE SPECIFIED, ALL DIMENSIONS ARE GIVEN IN INCHES, THIRD ANGLE PROJECTION.
DRAWN BY JAD	MAT'L: NYLON 6/6 COLOR: BLACK
DATE 9/23/03	SCALE NONE
DRW'ID	DWG NO. GB0239KV Dwg SIZE A

REV	DATE	BY	CHK	DESCRIPTION	ECN - R	CUST	SUP
R	9/23/03	JAD		INITIAL RELEASE, REPLACES SS-05548	GB0239KV	R	