

**PLEASE CHECK WWW.MOLEX.COM FOR LATEST PART INFORMATION**

**Part Number:** [73137-5003](#)  
**Status:** **Active**  
**Overview:** BNC Miniature RF Connectors  
**Description:** BNC 50 Ohm, Right Angle PCB Bulkhead Jack Receptacle, Panel Isolated, Black PBT Housing, Housing Height 13.20mm, Nut and Lockwasher included

**Documents:**

[Drawing \(PDF\)](#) [RoHS Certificate of Compliance \(PDF\)](#)

**Agency Certification**

CSA LR19980  
 UL E107635

**General**

Product Family RF/Coax Connectors  
 Series [73137](#)  
 Overview [BNC Miniature RF Connectors](#)  
 Product Name BNC  
 Style PCB  
 UPC 800753750258  
 Wire/Cable Type N/A

**Physical**

Cable Attachment N/A  
 Flammability 94V-0  
 Gender Jack  
 Keying to Mating Part None  
 Net Weight 15.347/g  
 Orientation Right Angle  
 PCB Mounting Through Hole  
 PCB Thickness - Recommended 3.20mm  
 Packaging Type Tray  
 Panel Mount Yes  
 Panel Mount Method Bulkhead  
 Reverse Polar No

**Electrical**

Impedance 50#

**Solder Process Data**

Duration at Max. Process Temperature (seconds) 10  
 Lead-free Process Capability Wave Capable (TH only)  
 Max. Cycles at Max. Process Temperature 1  
 Process Temperature max. C 245

**Material Info**

**Reference - Drawing Numbers**

Sales Drawing SD-73137-5003

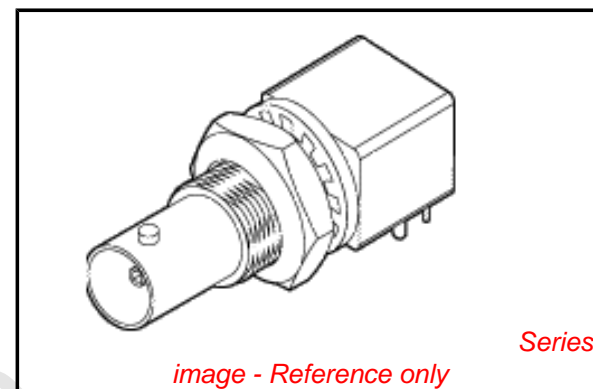


image - Reference only

Series

**EU RoHS**

**RoHS Compliant RF Product**

**REACH SVHC**

Not Reviewed

**Low-Halogen Status**

**Low-Halogen**

**China RoHS**



Pb

**Need more information on product environmental compliance?**

Email [productcompliance@molex.com](mailto:productcompliance@molex.com)  
 For a multiple part number RoHS Certificate of Compliance, [click here](#)

Please visit the [Contact Us](#) section for any non-product compliance questions.

**Search Parts in this Series**

[73137Series](#)