

**PLEASE CHECK WWW.MOLEX.COM FOR LATEST PART INFORMATION**

**Part Number:** [73415-0961](#)  
**Status:** **Active**  
**Overview:** MMCX Microminiature RF Connectors  
**Description:** MMCX 50 Ohm, Edge Mount PCB Jack Receptacle, Plating per Commercial Requirements

**Documents:**

[Drawing \(PDF\)](#) [RoHS Certificate of Compliance \(PDF\)](#)

**General**

Product Family	RF/Coax Connectors
Series	<a href="#">73415</a>
Comments	Individual Bags
Overview	<a href="#">MMCX Microminiature RF Connectors</a>
Product Name	MMCX
Style	PCB
UPC	800753122697
Wire/Cable Type	N/A

**Physical**

Cable Attachment	N/A
Gender	Jack
Keying to Mating Part	None
Net Weight	0.377/g
Orientation	Right Angle
PCB Mounting	Edge Mount
Packaging Type	Bag
Panel Mount	No
Panel Mount Method	N/A
Reverse Polar	No

**Electrical**

Impedance	50#
-----------	-----

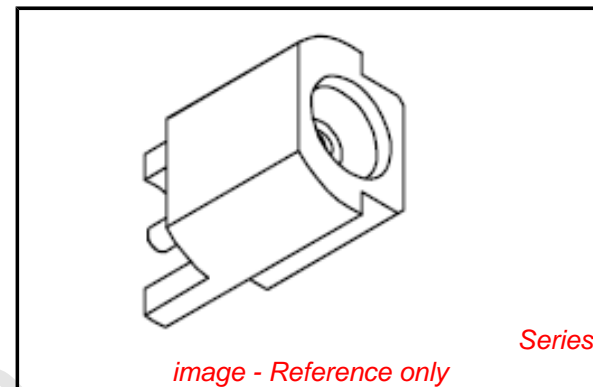
**Solder Process Data**

Duration at Max. Process Temperature (seconds)	10
Lead-free Process Capability	Reflow Capable (SMT only)
Max. Cycles at Max. Process Temperature	2
Process Temperature max. C	260

**Material Info**

**Reference - Drawing Numbers**

Sales Drawing	SD-73415-096
---------------	--------------



**EU RoHS**

**RoHS Compliant RF Product**  
**REACH SVHC**  
**Contains SVHC: No**  
**Low-Halogen Status**  
**Low-Halogen**

**China RoHS**



**Need more information on product environmental compliance?**

Email [productcompliance@molex.com](mailto:productcompliance@molex.com)  
 For a multiple part number RoHS Certificate of Compliance, [click here](#)

Please visit the [Contact Us](#) section for any non-product compliance questions.

**Search Parts in this Series**

73415Series