

max. 55 m³/h

DC centrifugal fans

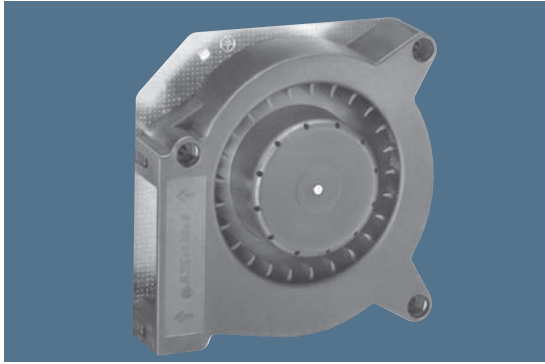
Series RL 90 N 121 x 121 x 37 mm

Highlights:

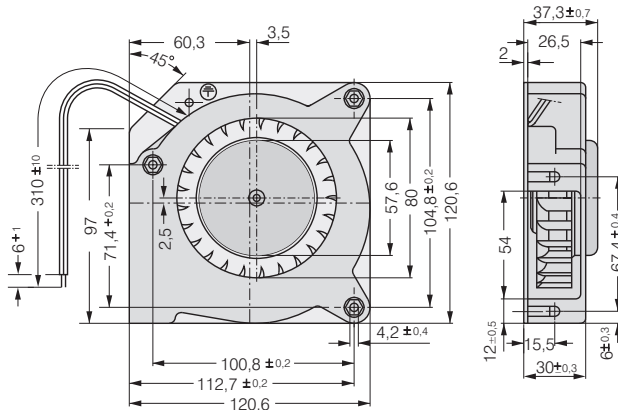
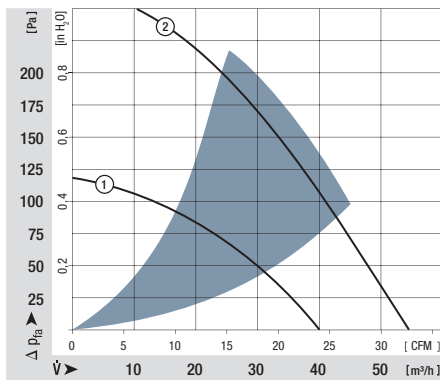
- Optional Vario-Pro: Highly adaptable software configuration of the fan enables a tailor-made solution to the specific requirements of your applications.
- Forward curved impeller.

General characteristics:

- Fibreglass-reinforced plastic scroll housing and impeller; Housing base of steel plate.
- Fully integrated electronic commutation.
- Protected against reverse polarity and locking.
- Direction of air flow: axial air intake, centrifugal air exhaust out of the outlet.
- Connection via single strands AWG 22, TR 64. Bared and tin-plated.
- Mass: 420 g.



Nominal data	Air flow		Nominal voltage	Voltage range	Sound power level	Sinter sleeve bearings Ball bearings		Power input	Nominal speed	Temperature range	Service life L ₁₀ (40 °C) ebm-papst Standard	Service life L ₁₀ (T _{max}) ebm-papst Standard	Life expectancy L ₁₀ Δ (40 °C) see P.15	Curve	Specials
	Type	m ³ /h				CFM	VDC								
RL 90-18/12 N	40	23,5	12	7...15	5,8	■	■	5,5	2 500	-30...+75	62 500 / 27 500	112 500	1	/2	
RL 90-18/14 NG	40	23,5	24	12...28	5,8	□	■	5,0	2 500	-10...+75	62 500 / 27 500	112 500	1		
RL 90-18/14 N	40	23,5	24	12...28	5,8	■	■	5,0	2 500	-30...+75	62 500 / 27 500	112 500	1	/2	
RL 90-18/18 NH	55	32,4	48	40...53	6,9	■	■	15,0	3 500	-30...+55	32 500 / 22 500	62 500	2		



Screw clip M4 or 8-32UNC. Screw-in depth max. 12.5 min. 9.0