

PLEASE CHECK WWW.MOLEX.COM FOR LATEST PART INFORMATION

Part Number: [0908611001](#)
Status: **Obsolete**
Overview: [rast_25_connector_system](#)
Description: 2.50mm (.098") Pitch Appli-Mate RAST 2.5 Header, Right Angle, 5 Circuits

Documents:
[Drawing \(PDF\)](#)

General

| | |
|----------------|--|
| Product Family | PCB Headers |
| Series | 90861 |
| Application | Signal, Wire-to-Board |
| Overview | rast_25_connector_system |
| Product Name | RAST 2.5 |

Physical

| | |
|--------------------------------|----------------|
| Breakaway | No |
| Circuits (Loaded) | 5 |
| Circuits (maximum) | 5 |
| Durability (mating cycles max) | 10 |
| First Mate / Last Break | No |
| Glow-Wire Compliant | No |
| Guide to Mating Part | No |
| Keying to Mating Part | None |
| Lock to Mating Part | Yes |
| Material - Plating Mating | Tin |
| Number of Rows | 1 |
| Orientation | Right Angle |
| PC Tail Length | 3.81mm (.150") |
| PCB Retention | None |
| Packaging Type | Bag |
| Pitch - Mating Interface | 2.50mm (.098") |
| Pitch - Termination Interface | 2.50mm (.098") |
| Polarized to PCB | Yes |
| Shrouded | Fully |
| Stackable | No |
| Surface Mount Compatible (SMC) | No |
| Temperature Range - Operating | -20°C to +85°C |
| Termination Interface: Style | Through Hole |

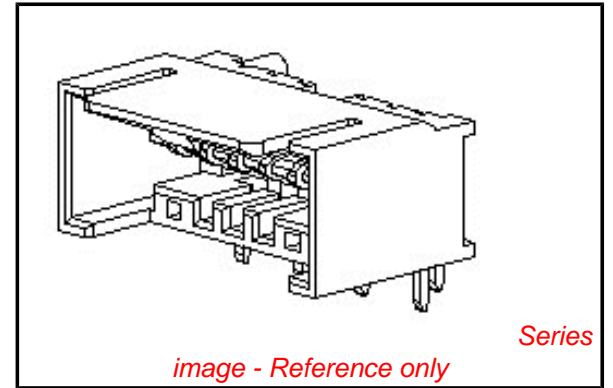
Electrical

| | |
|-------------------------------|-----|
| Current - Maximum per Contact | 2A |
| Voltage - Maximum | 32V |

Material Info

Reference - Drawing Numbers

| | |
|-------------------------|---------------|
| Packaging Specification | PK-90860-001 |
| Product Specification | PS-99020-0040 |
| Sales Drawing | SDA-90861 |



EU RoHS

Not RoHS Compliant
REACH SVHC
 Not Reviewed
Low-Halogen Status
 Not Reviewed

China RoHS



Need more information on product environmental compliance?

Email productcompliance@molex.com
 For a multiple part number RoHS Certificate of Compliance, [click here](#)

Please visit the [Contact Us](#) section for any non-product compliance questions.

Search Parts in this Series

[90861Series](#)

Mates With

[90871 Appli-Mate RAST 2.5 IDT Housing](#)