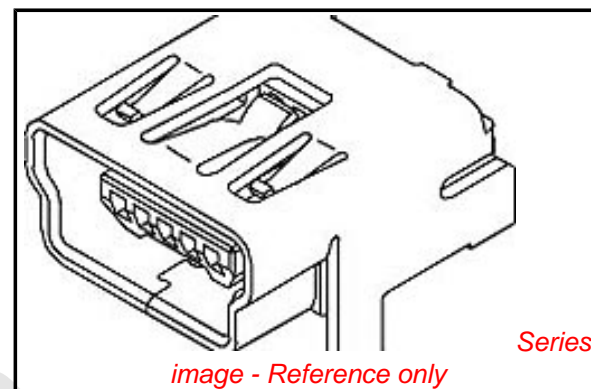


**PLEASE CHECK WWW.MOLEX.COM FOR LATEST PART INFORMATION**

**Part Number:** [54819-0519](#)  
**Status:** **Active**  
**Overview:** [USB OTG \(On-The-Go\)](#)  
**Description:** USB On-The-Go (OTG) Mini-B Receptacle, Right Angle, Through Hole Solder Tails and Shell Tabs, Lead-Free

**Documents:**

[3D Model](#) [Packaging Specification SPK-54819-001 \(PDF\)](#)  
[Drawing \(PDF\)](#) [RoHS Certificate of Compliance \(PDF\)](#)  
[Product Specification PS-56579-015 \(PDF\)](#)



**Agency Certification**

UL E29179

**General**

Product Family	I/O Connectors
Series	<a href="#">54819</a>
Application	Wire-to-Board
Component Type	Receptacle
MolexKits	Yes
Overview	<a href="#">USB OTG (On-The-Go)</a>
Product Name	USB OTG (On-The-Go)
Type	Mini-B
UPC	822348124435

<b>Physical</b>	
Circuits (Loaded)	5
Circuits (maximum)	5
Color - Resin	Black
Flammability	94V-0
Gender	Receptacle
Lock to Mating Part	Yes
Material - Metal	High Performance Alloy (HPA)
Material - Plating Mating	Gold
Material - Plating Termination	Tin
Material - Resin	High Temperature Thermoplastic
Net Weight	0.500/g
Orientation	Right Angle
PC Tail Length	1.80mm
PCB Retention	Yes
PCB Thickness - Recommended	1.00mm
Packaging Type	Tray
Panel Mount	No
Pitch - Mating Interface	0.80mm
Plating min - Mating	0.762µm
Plating min - Termination	1.016µm
Polarized to Mating Part	Yes
Surface Mount Compatible (SMC)	Yes
Temperature Range - Operating	-20°C to +85°C
Termination Interface: Style	Through Hole
Wire Size AWG	N/A

**Electrical**

Current - Maximum per Contact	1A
Shielded	Yes
Voltage - Maximum	30V

**EU RoHS** **China RoHS**

**ELV and RoHS Compliant**  
**REACH SVHC**  
 Not Reviewed  
**Low-Halogen Status**  
**Not Low-Halogen**



**Need more information on product environmental compliance?**

Email [productcompliance@molex.com](mailto:productcompliance@molex.com)  
 For a multiple part number RoHS Certificate of Compliance, [click here](#)

Please visit the [Contact Us](#) section for any non-product compliance questions.

**Search Parts in this Series**

54819Series

**Mates With**

592049401 , 592053301

### Solder Process Data

Duration at Max. Process Temperature (seconds) onlinecomponents.com  
Lead-free Process Capability THE ONLINE DISTRIBUTOR OF ELECTRONIC COMPONENTS Reflow Capable (SMT only)  
Max. Cycles at Max. Process Temperature 1  
Process Temperature max. C 260

### Material Info

#### Reference - Drawing Numbers

Packaging Specification SPK-54819-001  
Product Specification PS-56579-015, RPS-54819-017, RPS-54819-030,  
RPS-54819-032, RPS-54819-033, RPS-56579-003,  
RPS-56579-004, RPS-56579-007, RPS-56579-008,  
RPS-56579-009, RPS-56579-010  
Sales Drawing SD-54819-026

This document was generated on 01/15/2013

**PLEASE CHECK [WWW.MOLEX.COM](http://WWW.MOLEX.COM) FOR LATEST PART INFORMATION**

onlinecomponents.com