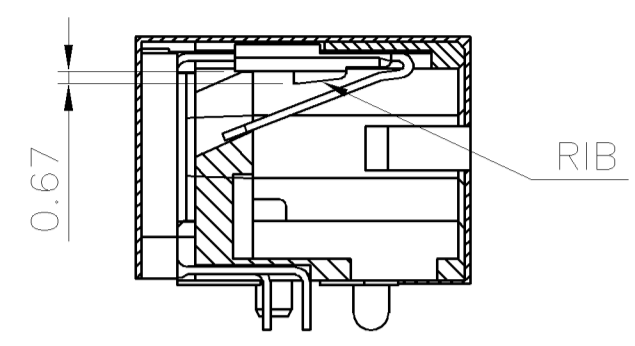
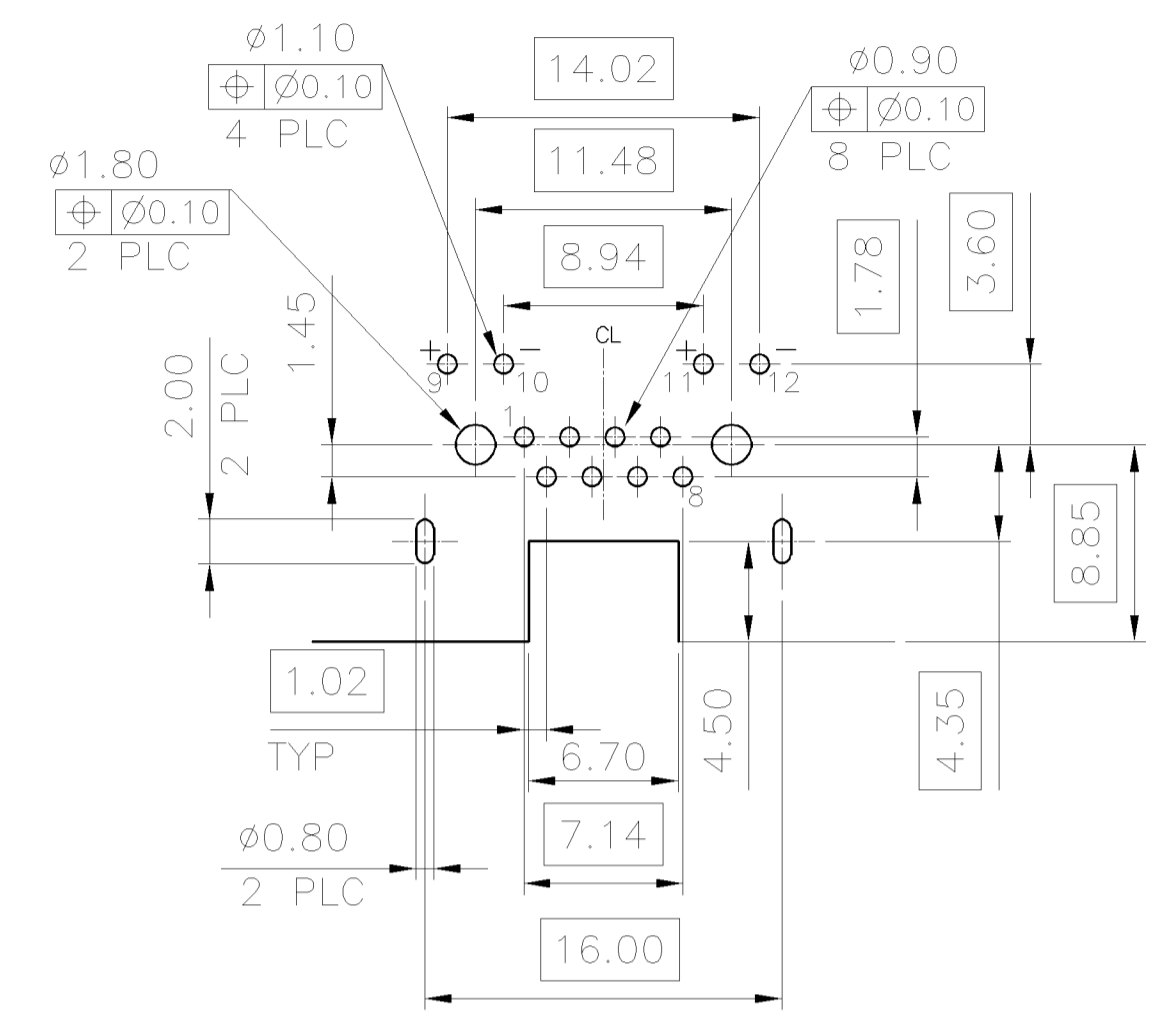
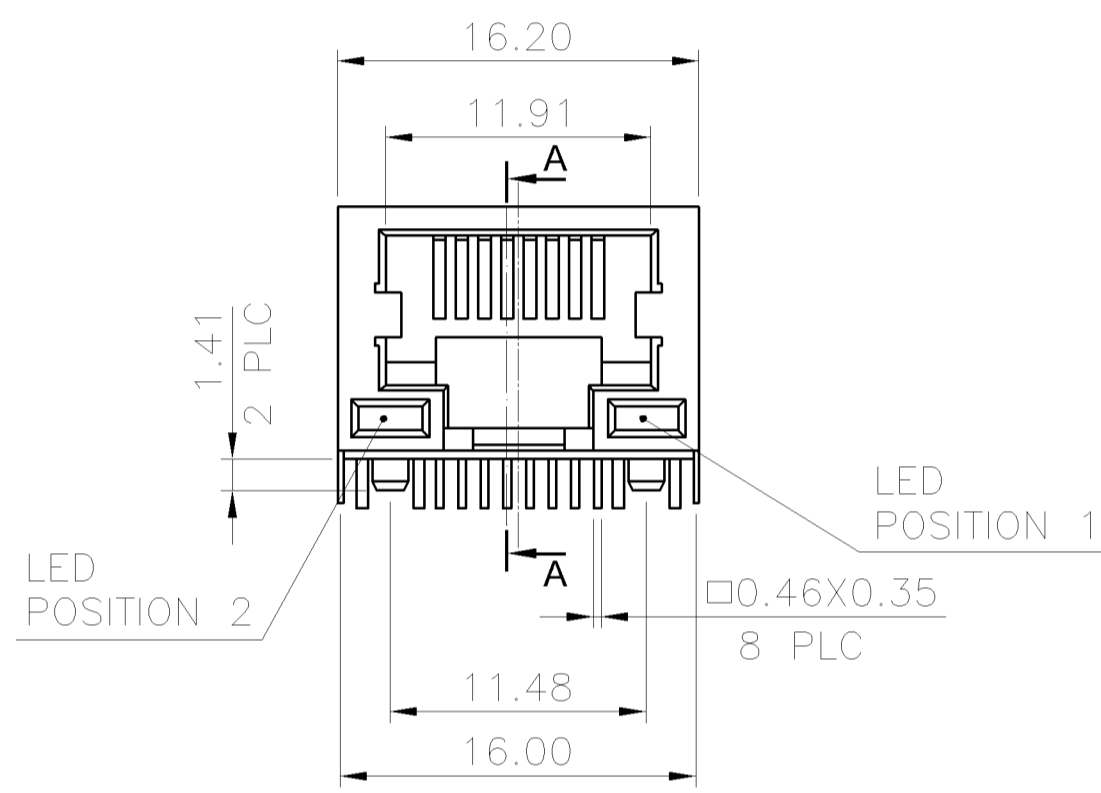
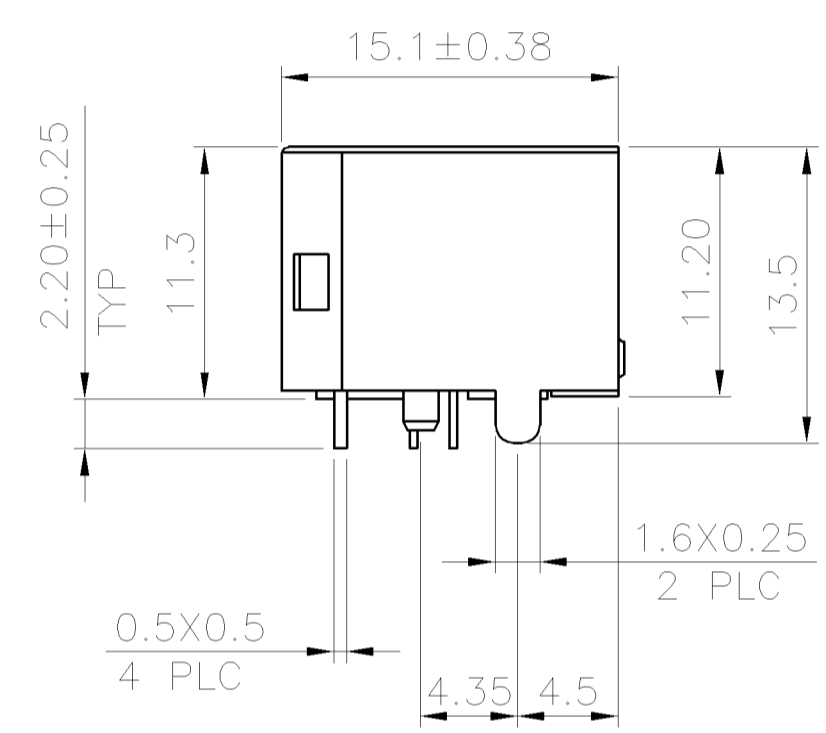
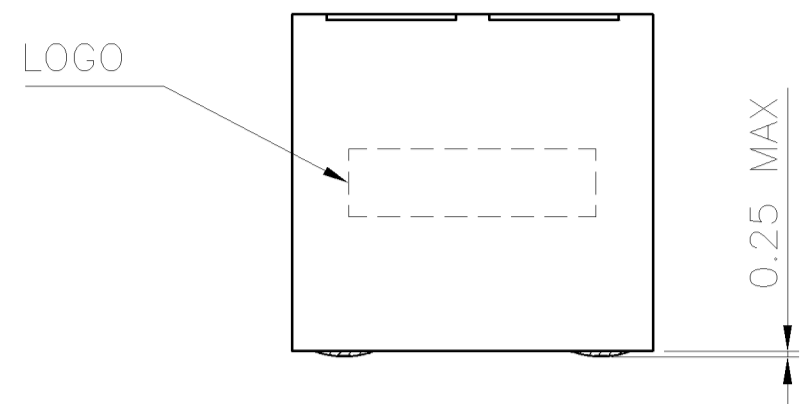


THIS DRAWING IS UNPUBLISHED. RELEASED FOR PUBLICATION
 © COPYRIGHT BY TYCO ELECTRONICS CORPORATION. ALL RIGHTS RESERVED.

LOC	DIST	REVISIONS					
DW	—	P	LTR	DESCRIPTION	DATE	DWN	APVD
		A		ECR-07-028576	14DEC07	AW	WK

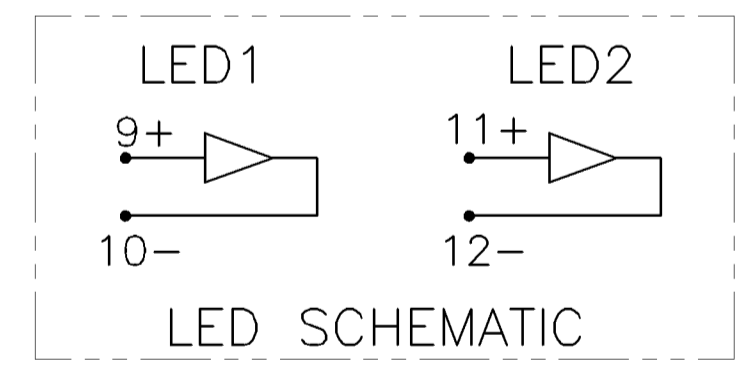
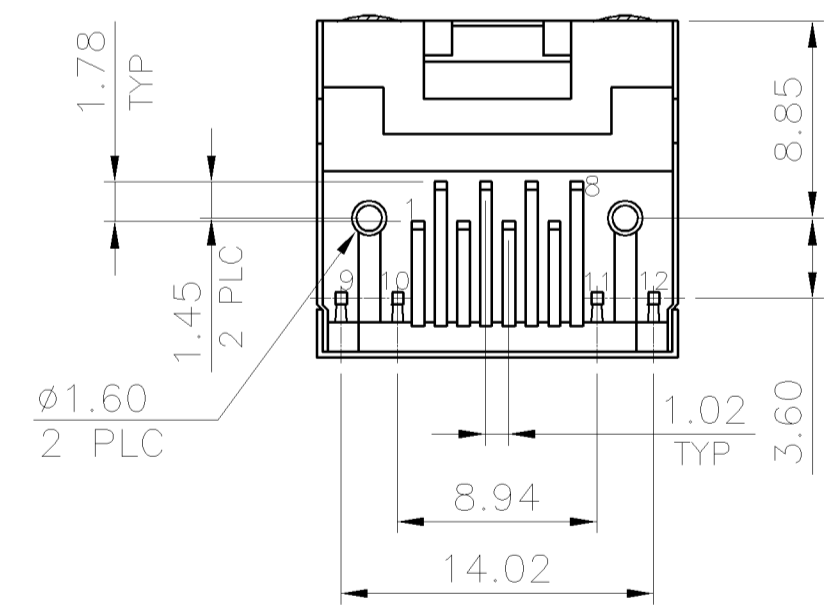


SECTION A-A



RECOMMENDED PCB LAYOUT (THICKNESS: 1.6mm)
 DIMENSION TOLERANCE: 1 PLC: ±0.1 2PLC: ±0.05

- NOTE:
- MATERIAL:
 HOUSING: PA46 WITH 30% GF, UL 94V-0, BLACK COLOR.
 CONTACTS: PHOSPHOR BRONZE.
 LED LIGHT: EPOXY RESIN.
 SHELL: BRASS.
 - FINISH:
 CONTACTS: (SEE TABLE) GOLD PLATED ON CONTACT AREA, GOLD FLASH ON SOLDER TAILS, WITH ENTIRE CONTACT UNDERPLATED 1.27µm [50µ"] MIN. NICKEL.
 LED: 1.65µm [65µ"] MIN. Ag PLATED.
 2.16µm [85µ"] MIN. TIN PLATED.
 FORWARD CURRENT: 20mA.
 FORWARD VOLTAGE: 2.2 VOLTS TYPICAL.
 SHELL: 0.50µm [20µ"] MIN. NICKEL PLATED.
 - LED MUST BE REFLOW COMPATIBLE TO FOLLOWING TEMPERATURE PROFILE (FOR 1 CYCLE): ABOVE 160°C FOR 120 SECONDS, PEAKING AT 220°C FOR 10 SECONDS.
 - LED DEFECT RATE IS 6000 PPM MAX. AFTER IR REFLOW PROCESS AS NOTE 3.
 - WAVE SOLDER CAPABLE TO 265°C PER TE SPEC. 109-202, CONDITION B.

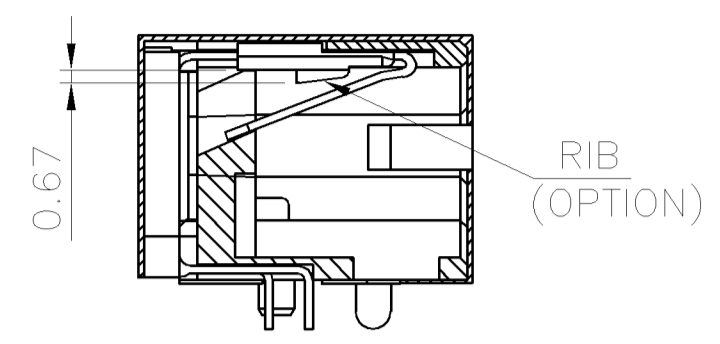


REEL	YELLOW	GREEN	50µ"	1-1734324-8
			30µ"	1-1734324-7
			15µ"	1-1734324-6
	GREEN	YELLOW	6µ"	1-1734324-5
			50µ"	1-1734324-4
			30µ"	1-1734324-3
TRAY	YELLOW	GREEN	15µ"	1-1734324-2
			6µ"	1-1734324-1
			50µ"	1734324-8
	GREEN	YELLOW	30µ"	1734324-7
			15µ"	1734324-6
			6µ"	1734324-5
PACKAGE	POSITION 2	POSITION 1	MIN. GOLD THICKNESS	PART NUMBER

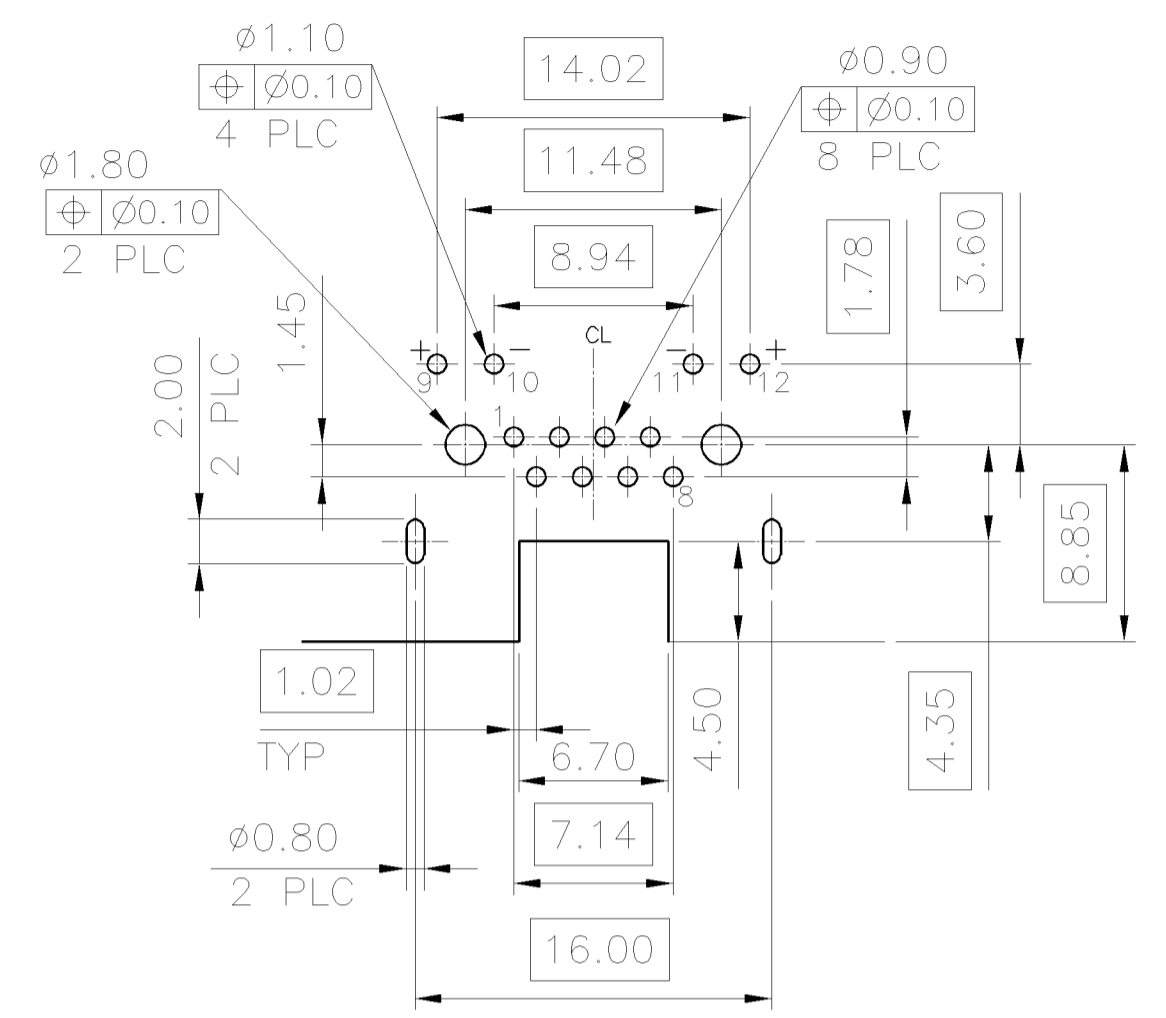
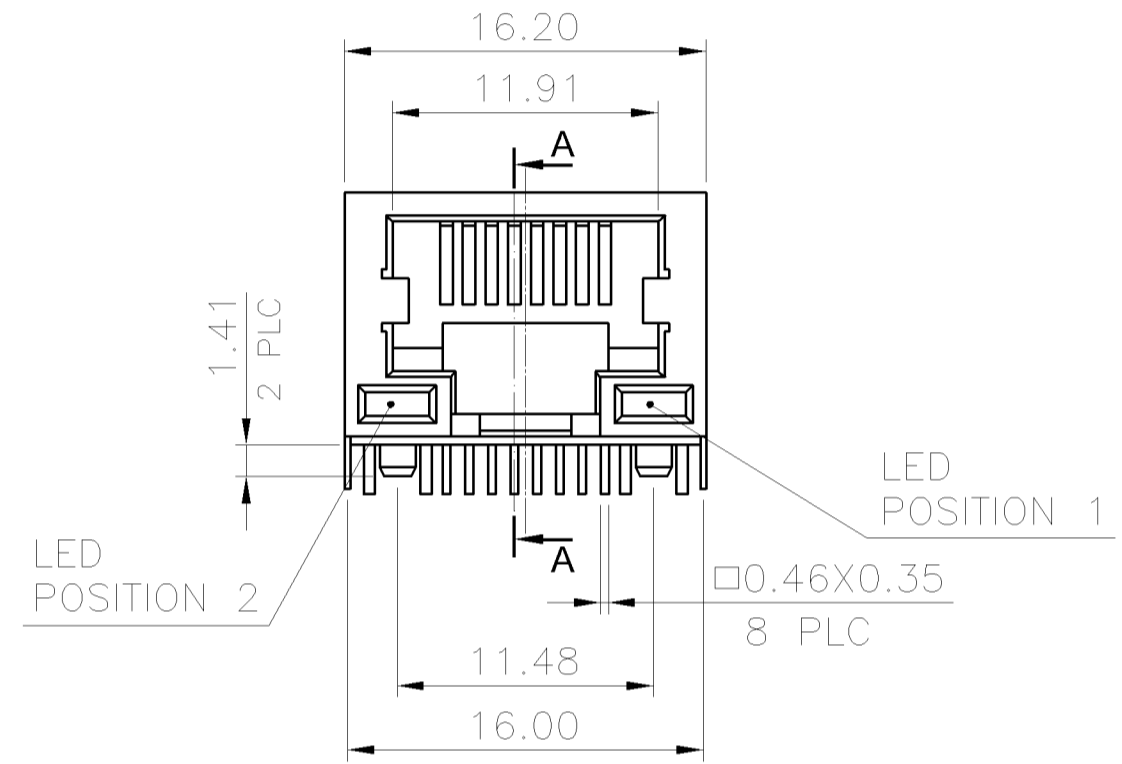
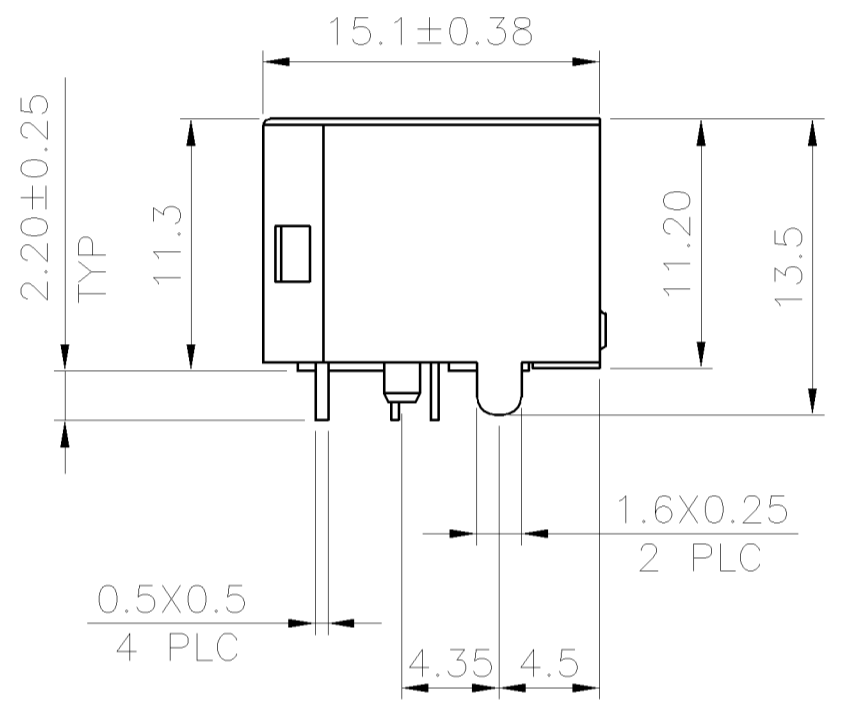
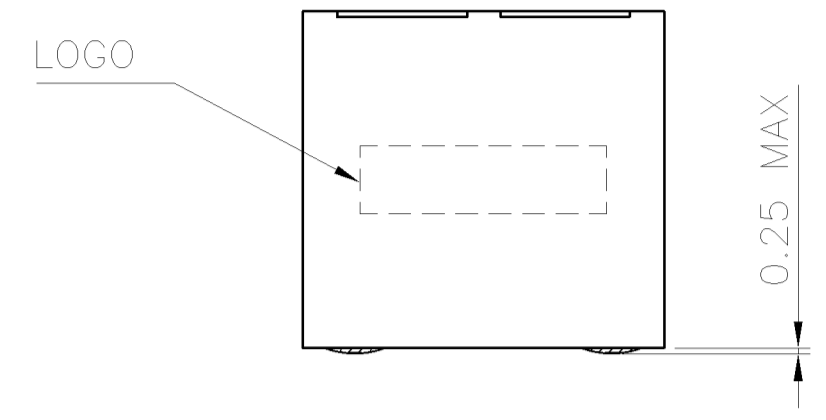
THIS DRAWING IS A CONTROLLED DOCUMENT.		DWN	04MAR2008		Tyco Electronics Corporation Taipei, Taiwan				
		A. WU							
		CHK	04MAR2008		NAME				
		S. HOU							
		APVD	04MAR2008		MODULAR JACK, RJ45, 8P8C, WITH LED & SHIELD, DIP, REVERSE VERSION				
		W. KODAMA							
DIMENSIONS: MM		TOLERANCES UNLESS OTHERWISE SPECIFIED:		PRODUCT SPEC					
		0 PLC	± 0.50		QUALIFICATION TEST REPORT				
		1 PLC	± 0.38						
		2 PLC	± 0.25		501-57628				
		3 PLC	± 0.10						
		4 PLC	± -		SIZE	CAGE CODE	DRAWING NO	RESTRICTED TO	
		ANGLES	± -		501-57628	A300779	C-1734324	—	
MATERIAL		FINISH		WEIGHT		SCALE		SHEET	REV
SEE NOTE		SEE NOTE		4.5 GRAMS		—		1 OF 7	A
CUSTOMER DRAWING									

THIS DRAWING IS UNPUBLISHED. RELEASED FOR PUBLICATION
 © COPYRIGHT BY TYCO ELECTRONICS CORPORATION. ALL RIGHTS RESERVED.

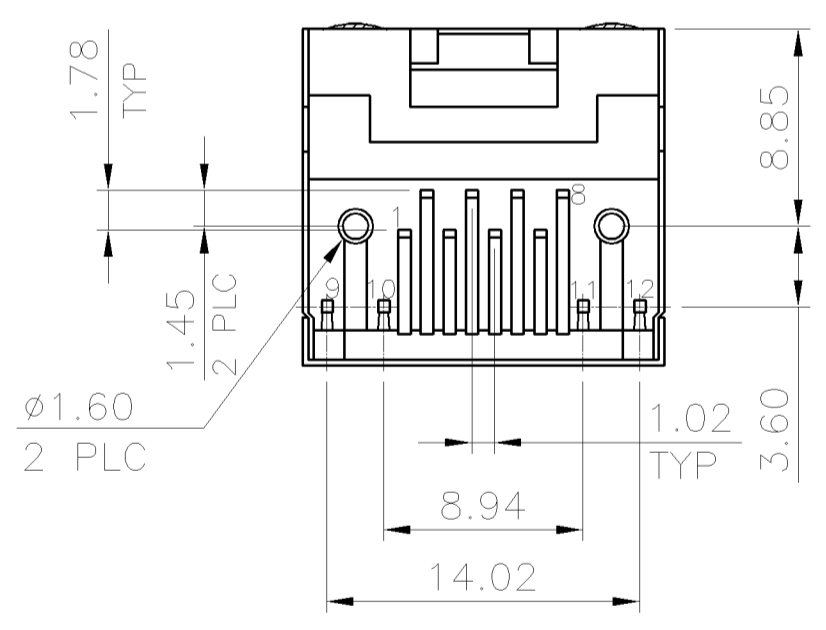
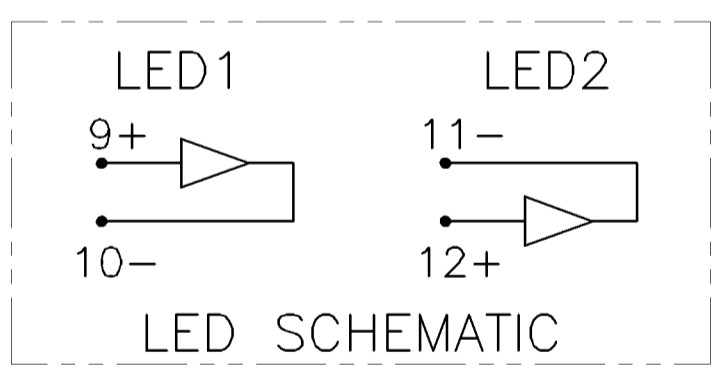
LOC	DIST	REVISIONS					
DW	—	P	LTR	DESCRIPTION	DATE	DWN	APVD
				SEE SHEET 1.			



SECTION A-A



RECOMMENDED PCB LAYOUT (THICKNESS: 1.6mm)
 DIMENSION TOLERANCE: 1 PLC: ±0.1 2PLC: ±0.05



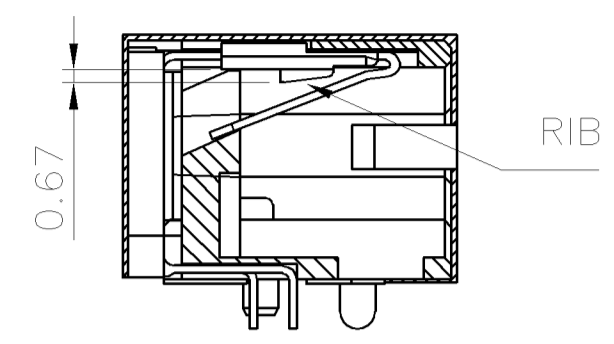
- NOTE:
- MATERIAL:
 HOUSING: PA46 WITH 30% GF, UL 94V-0, BLACK COLOR.
 CONTACTS: PHOSPHOR BRONZE.
 LED LIGHT: EPOXY RESIN.
 SHELL: BRASS.
 - FINISH:
 CONTACTS: (SEE TABLE) GOLD PLATED ON CONTACT AREA, GOLD FLASH ON SOLDER TAILS, WITH ENTIRE CONTACT UNDERPLATED 1.27µm [50µ"] MIN. NICKEL.
 LED: 1.65µm [65µ"] MIN. Ag PLATED.
 2.16µm [85µ"] MIN. TIN PLATED.
 FORWARD CURRENT: 20mA.
 FORWARD VOLTAGE: 2.2 VOLTS TYPICAL.
 SHELL: 0.50µm [20µ"] MIN. NICKEL PLATED.
 - LED MUST BE REFLOW COMPATIBLE TO FOLLOWING TEMPERATURE PROFILE (FOR 1 CYCLE): ABOVE 160°C FOR 120 SECONDS, PEAKING AT 220°C FOR 10 SECONDS.
 - LED DEFECT RATE IS 6000 PPM MAX. AFTER IR REFLOW PROCESS AS NOTE 3.
 - WAVE SOLDER CAPABLE TO 265°C PER TE SPEC. 109-202, CONDITION B.

W/O	REEL	YELLOW	GREEN	50µ"	3-1734324-8	
			GREEN	30µ"	3-1734324-7	
			GREEN	15µ"	3-1734324-6	
		GREEN	YELLOW	6µ"	3-1734324-5	
			YELLOW	50µ"	3-1734324-4	
			YELLOW	30µ"	3-1734324-3	
W/	TRAY	YELLOW	GREEN	15µ"	3-1734324-2	
			GREEN	6µ"	3-1734324-1	
			GREEN	50µ"	2-1734324-8	
		GREEN	YELLOW	30µ"	2-1734324-7	
			YELLOW	15µ"	2-1734324-6	
			YELLOW	6µ"	2-1734324-5	
RIB	PACKAGE	POSITION 2	POSITION 1	MIN. GOLD THICKNESS	PART NUMBER	
			INDICATOR COLOR			

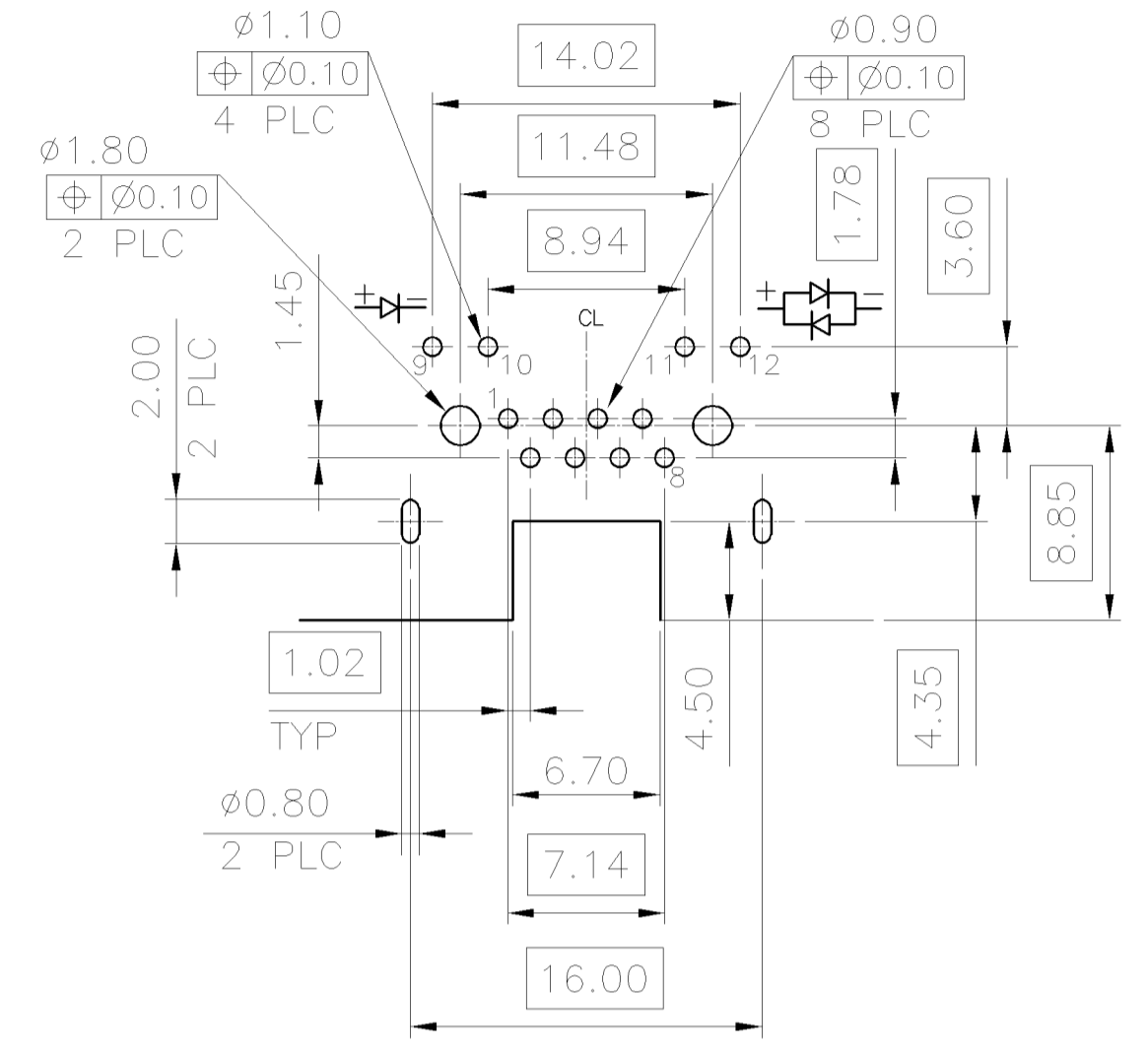
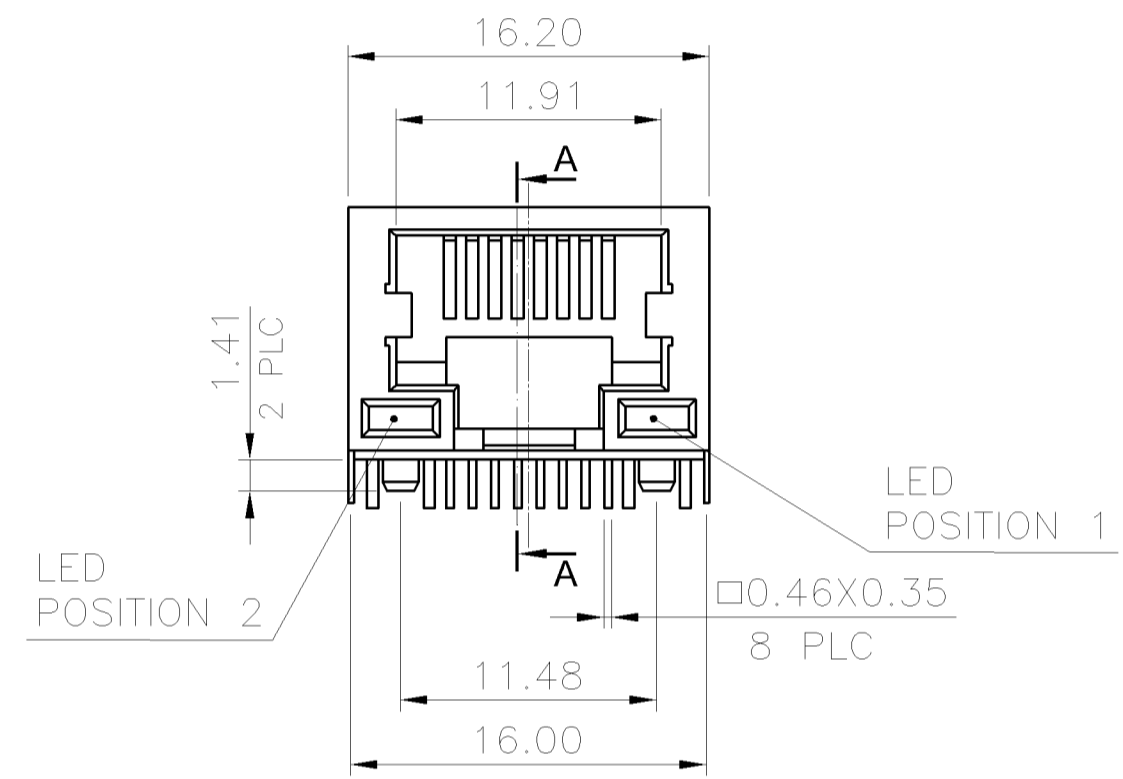
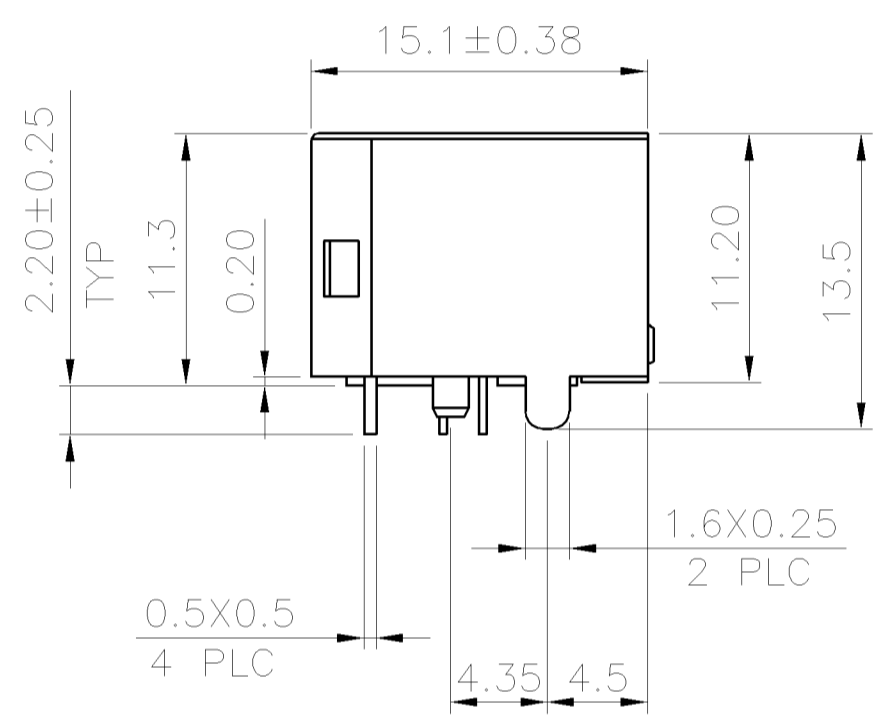
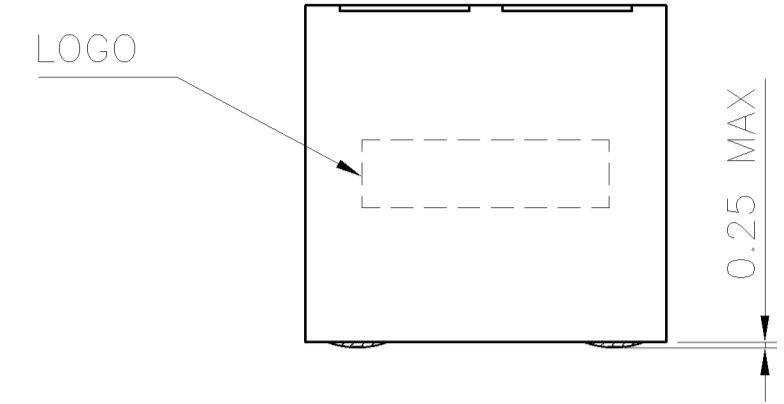
THIS DRAWING IS A CONTROLLED DOCUMENT.		DWN	04MAR2008		Tyco Electronics Corporation Taipei, Taiwan
		A. WU			
		CHK	04MAR2008		
		S. HOU			
		APVD	04MAR2008		NAME
		W. KODAMA			MODULAR JACK, RJ45, 8P8C, WITH LED & SHIELD, DIP, REVERSE VERSION
		PRODUCT SPEC		108-57535	
		QUALIFICATION TEST REPORT		501-57628	
		WEIGHT	4.5 GRAMS		SIZE
		CUSTOMER DRAWING		CAGE CODE	A300779
		SCALE		—	
		SHEET		2 OF 7	
		REV		A	

THIS DRAWING IS UNPUBLISHED. RELEASED FOR PUBLICATION
 © COPYRIGHT BY TYCO ELECTRONICS CORPORATION. ALL RIGHTS RESERVED.

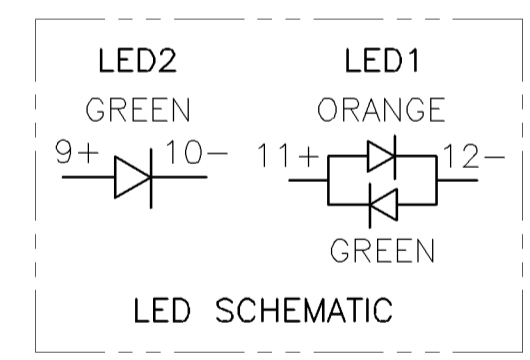
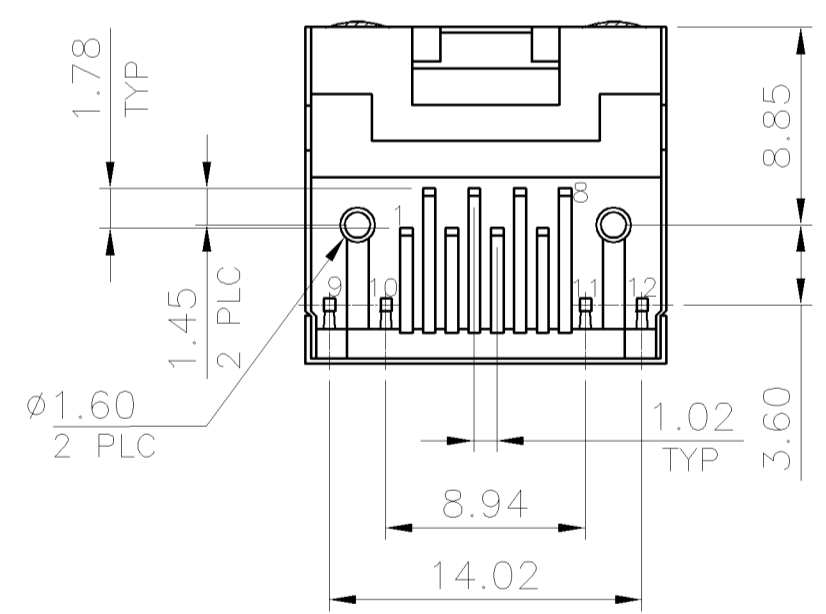
LOC	DIST	REVISIONS					
DW	—	P	LTR	DESCRIPTION	DATE	DWN	APVD
				SEE SHEET 1.			



SECTION A-A



RECOMMENDED PCB LAYOUT (THICKNESS: 1.6mm)
 DIMENSION TOLERANCE: 1 PLC: ±0.1 2PLC: ±0.05



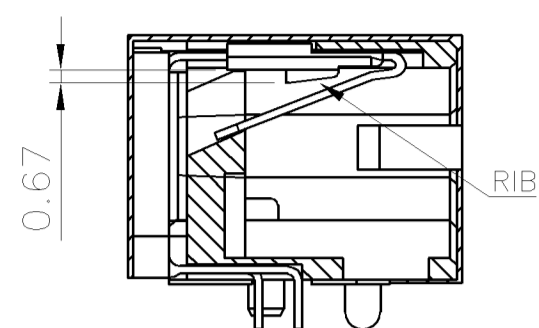
- NOTE:
- MATERIAL:
 HOUSING: PA46 WITH 30% GF, UL 94V-0, BLACK COLOR.
 CONTACTS: PHOSPHOR BRONZE.
 LED LIGHT: EPOXY RESIN.
 SHELL: BRASS.
 - FINISH:
 CONTACTS: (SEE TABLE) GOLD PLATED ON CONTACT AREA, GOLD FLASH ON SOLDER TAILS, WITH ENTIRE CONTACT UNDERPLATED 1.27µm [50µ"] MIN. NICKEL.
 LED: 1.65µm [65µ"] MIN. Ag PLATED.
 2.16µm [85µ"] MIN. TIN PLATED.
 FORWARD CURRENT: 20mA.
 FORWARD VOLTAGE: 2.2 VOLTS TYPICAL.
 SHELL: 0.50µm [20µ"] MIN. NICKEL PLATED.
 - LED MUST BE REFLOW COMPATIBLE TO FOLLOWING TEMPERATURE PROFILE (FOR 1 CYCLE): ABOVE 160°C FOR 120 SECONDS, PEAKING AT 220°C FOR 10 SECONDS.
 - LED DEFECT RATE IS 6000 PPM MAX. AFTER IR REFLOW PROCESS AS NOTE 3.
 - WAVE SOLDER CAPABLE TO 265°C PER TE SPEC. 109-202, CONDITION B.

TRAY	GREEN	ORANGE & GREEN	50µ"	4-1734324-4
			30µ"	4-1734324-3
			15µ"	4-1734324-2
			6µ"	4-1734324-1
PACKAGE	POSITION 2	POSITION 1	MIN. GOLD THICKNESS	PART NUMBER
	INDICATOR COLOR			

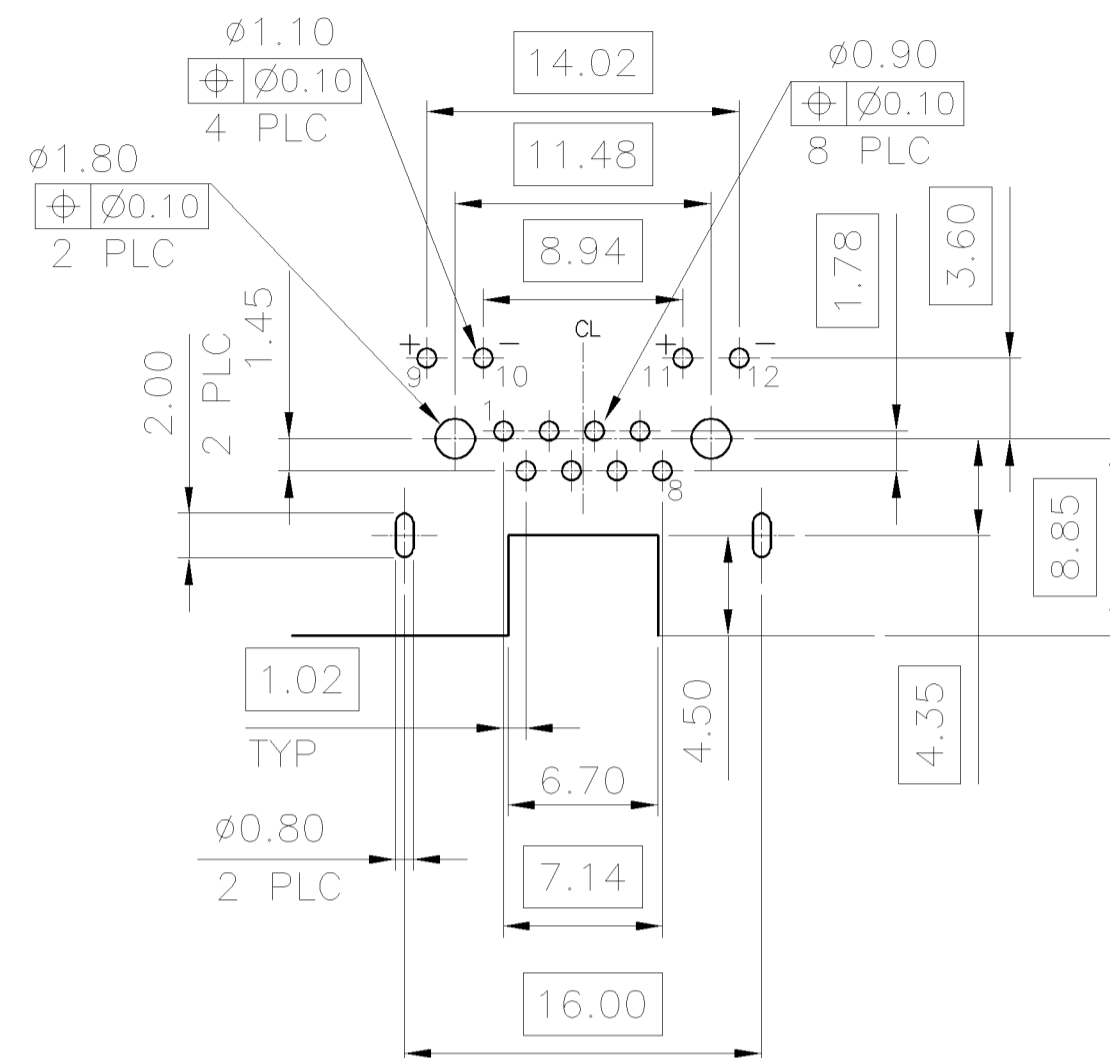
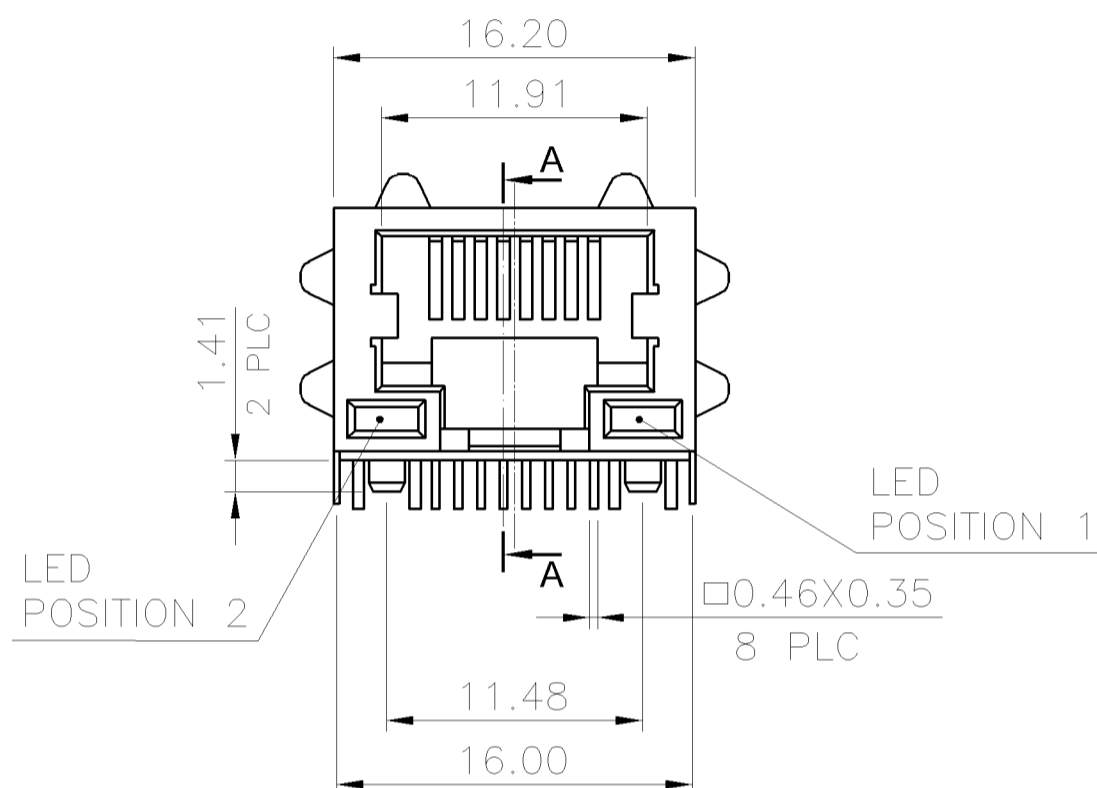
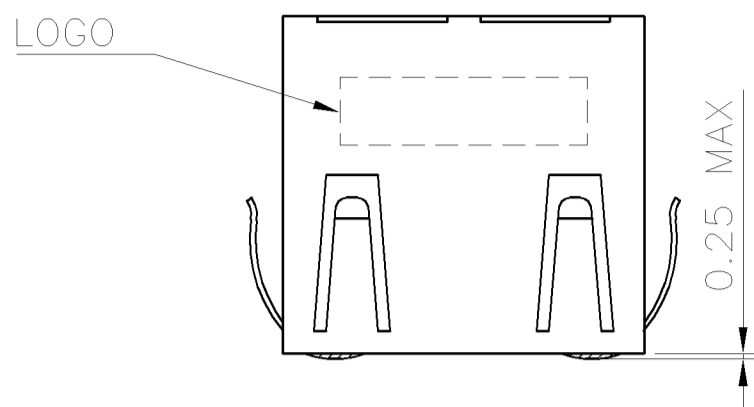
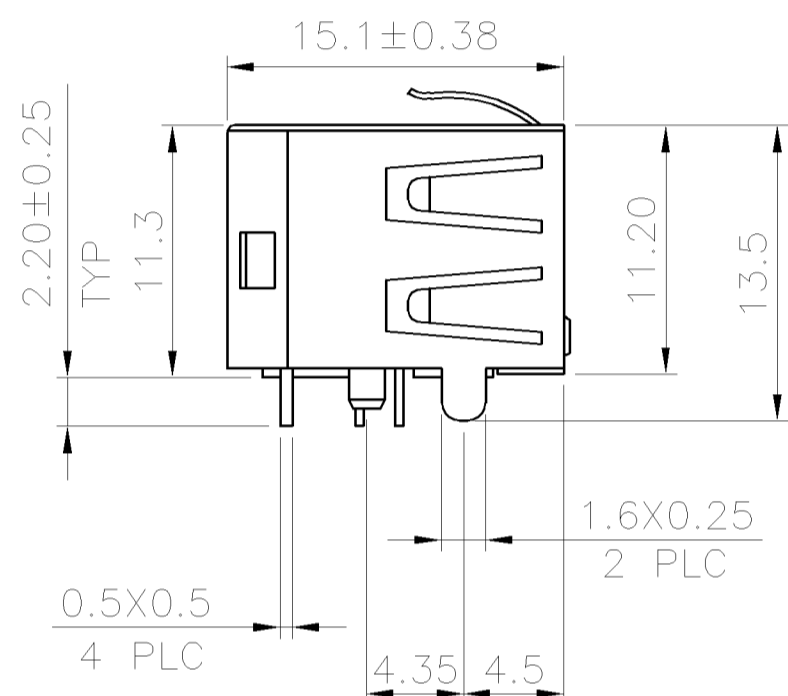
THIS DRAWING IS A CONTROLLED DOCUMENT.		DWN A. WU 04MAR2008	Tyco Electronics Corporation Tyco Electronics Corporation Taipei, Taiwan		
DIMENSIONS: MM		CHK S. HOU 04MAR2008	NAME		
TOLERANCES UNLESS OTHERWISE SPECIFIED:		APVD W. KODAMA 04MAR2008	MODULAR JACK, RJ45, 8P8C, WITH LED & SHIELD, DIP, REVERSE VERSION		
0 PLC ± 0.50 1 PLC ± 0.38 2 PLC ± 0.25 3 PLC ± 0.10 4 PLC ± - ANGLES ± -		PRODUCT SPEC 108-57535	SIZE	CAGE CODE	DRAWING NO
MATERIAL SEE NOTE		QUALIFICATION TEST REPORT 501-57628	A300779		RESTRICTED TO
FINISH SEE NOTE		WEIGHT 4.5 GRAMS	C=1734324		—
CUSTOMER DRAWING			SCALE	SHEET	REV
			—	3 OF 7	A

THIS DRAWING IS UNPUBLISHED. RELEASED FOR PUBLICATION
 © COPYRIGHT BY TYCO ELECTRONICS CORPORATION. ALL RIGHTS RESERVED.

LOC	DIST	REVISIONS					
DW	—	P	LTR	DESCRIPTION	DATE	DWN	APVD
				SEE SHEET 1.			



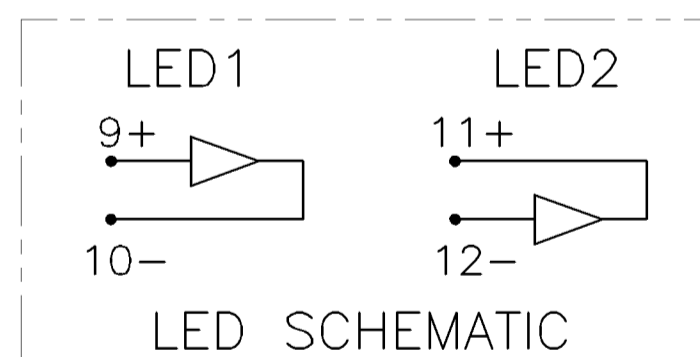
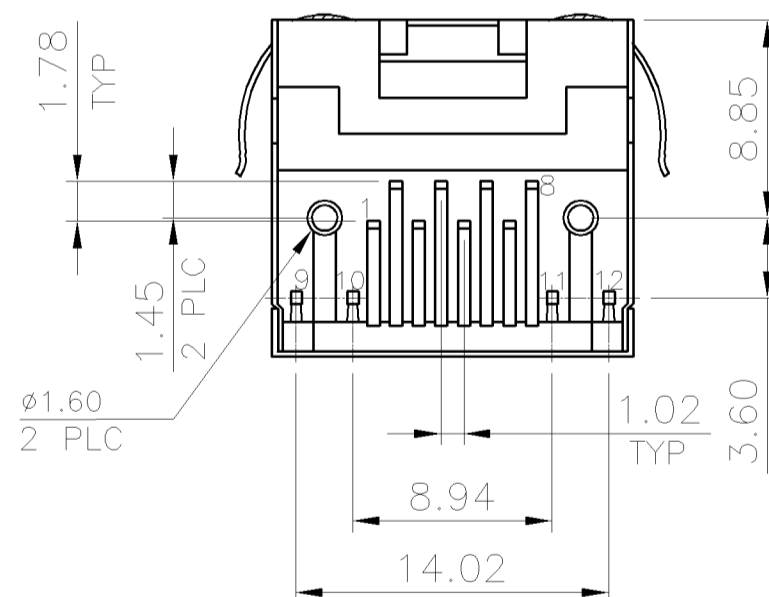
SECTION A-A



RECOMMENDED PCB LAYOUT (THICKNESS: 1.6mm)
 DIMENSION TOLERANCE: 1 PLC: ±0.1 2PLC: ±0.05

NOTE:

- MATERIAL:
 HOUSING: PA46 WITH 30% GF, UL 94V-0, BLACK COLOR.
 CONTACTS: PHOSPHOR BRONZE.
 LED LIGHT: EPOXY RESIN.
 SHELL: BRASS.
- FINISH:
 CONTACTS: (SEE TABLE) GOLD PLATED ON CONTACT AREA,
 GOLD FLASH ON SOLDER TAILS, WITH ENTIRE CONTACT
 UNDERPLATED 1.27µm [50µ"] MIN. NICKEL.
 LED: 1.65µm [65µ"] MIN. Ag PLATED.
 2.16µm [85µ"] MIN. TIN PLATED.
 FORWARD CURRENT: 20mA.
 FORWARD VOLTAGE: 2.2 VOLTS TYPICAL.
 SHELL: 0.50µm [20µ"] MIN. NICKEL PLATED.
- LED MUST BE REFLOW COMPATIBLE TO FOLLOWING
 TEMPERATURE PROFILE (FOR 1 CYCLE): ABOVE 160°C FOR
 120 SECONDS, PEAKING AT 220°C FOR 10 SECONDS.
- LED DEFECT RATE IS 6000 PPM MAX. AFTER IR REFLOW
 PROCESS AS NOTE 3.
- WAVE SOLDER CAPABLE TO 265°C PER TE SPEC.
 109-202, CONDITION B.

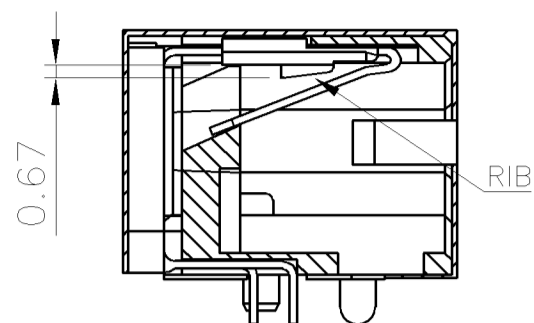


TRAY	YELLOW	GREEN	50µ"	5-1734324-8
			30µ"	5-1734324-7
			15µ"	5-1734324-6
	GREEN	YELLOW	6µ"	5-1734324-5
			50µ"	5-1734324-4
			30µ"	5-1734324-3
			15µ"	5-1734324-2
			6µ"	5-1734324-1
PACKAGE	POSITION 2	POSITION 1	MIN. GOLD THICKNESS	PART NUMBER
	INDICATOR COLOR			

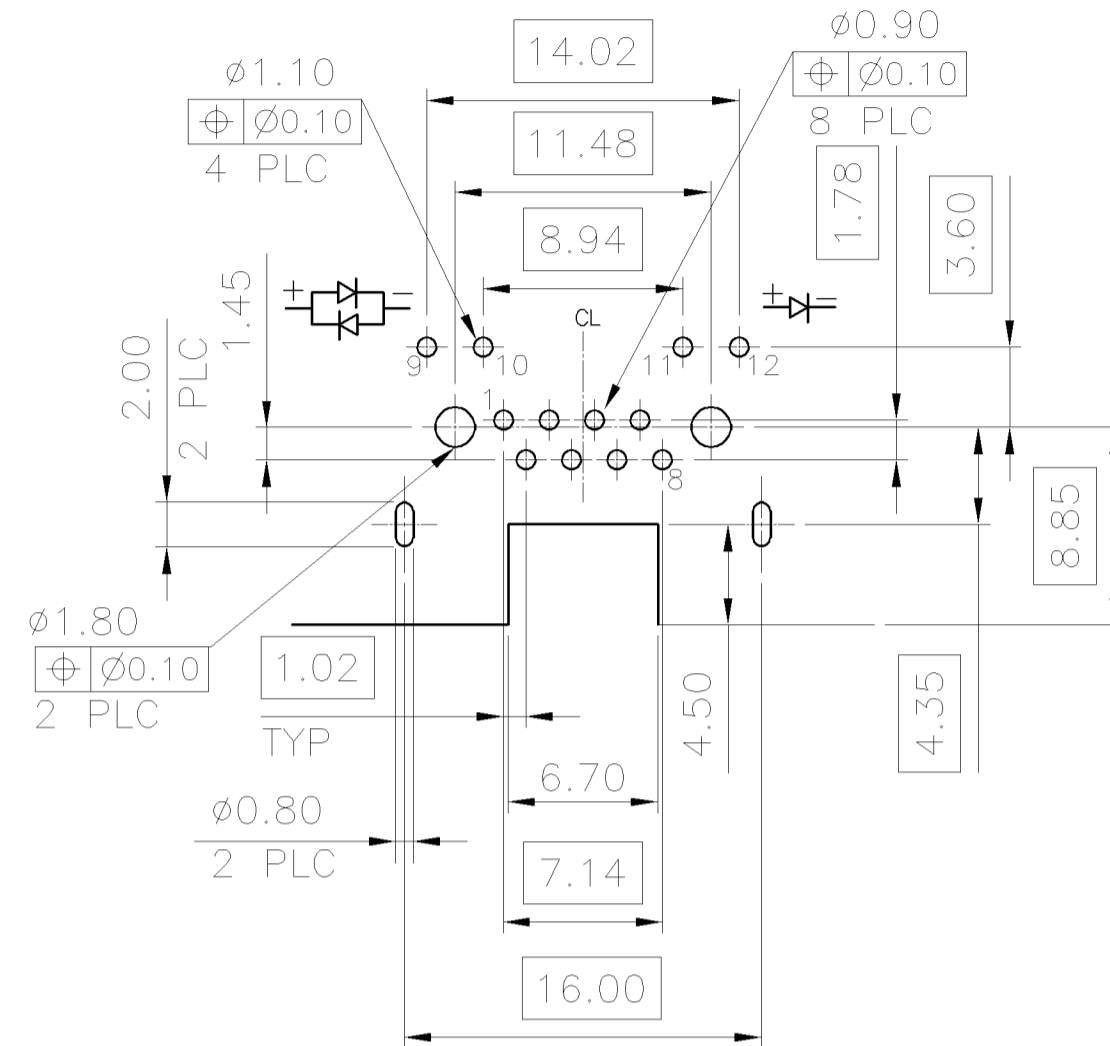
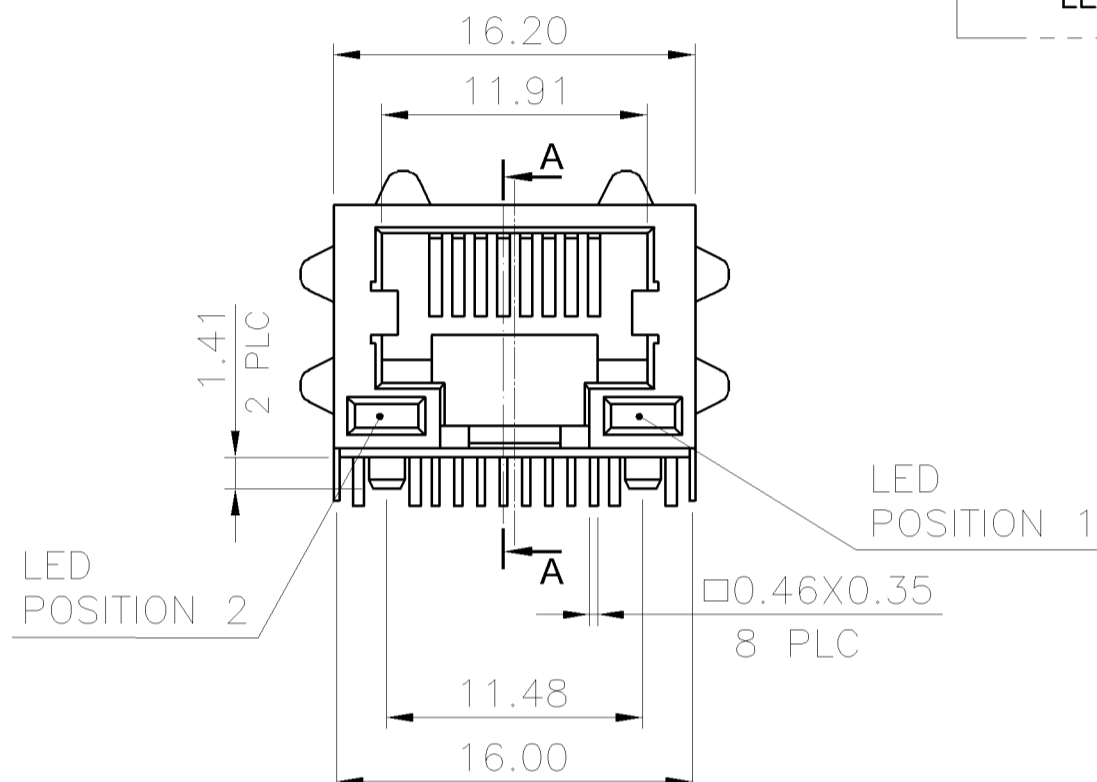
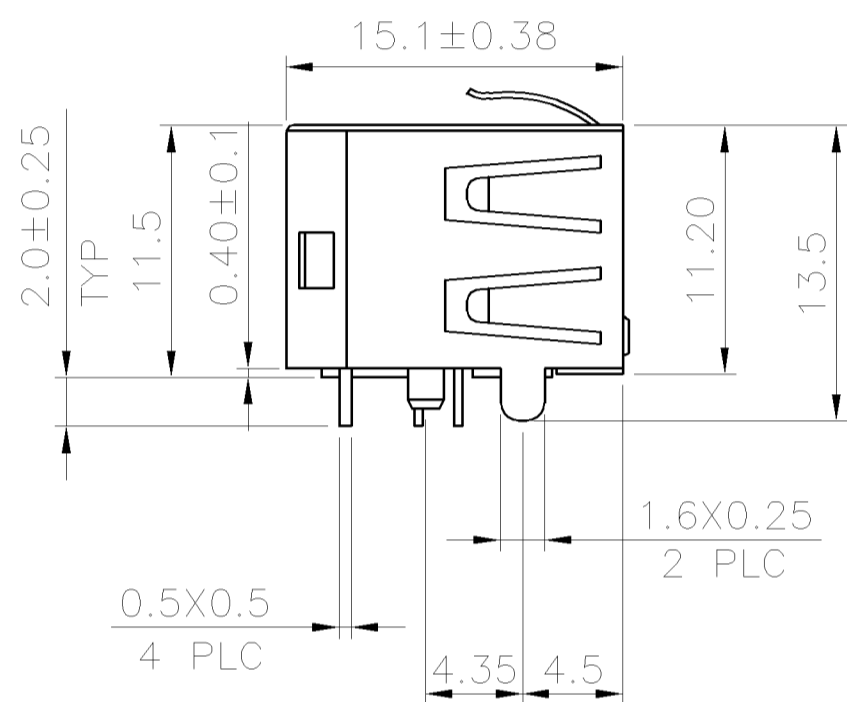
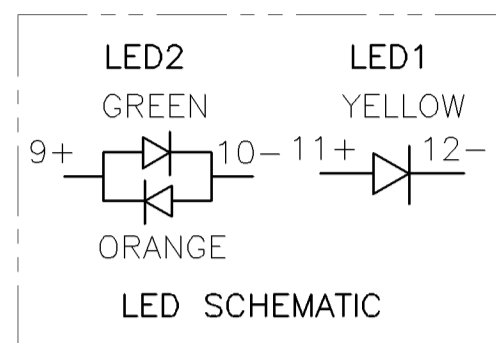
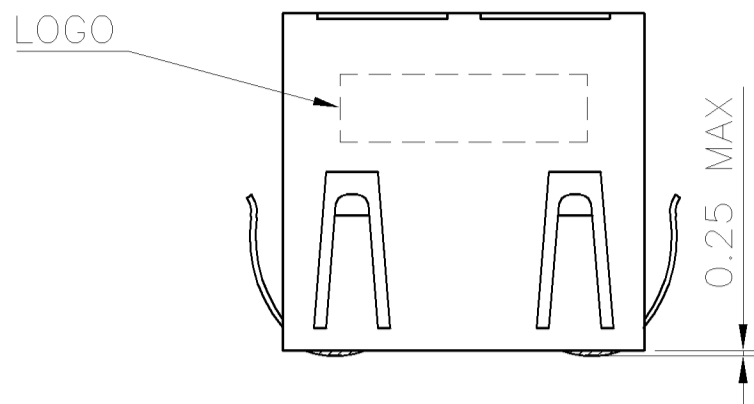
THIS DRAWING IS A CONTROLLED DOCUMENT.		DWN	A. WU	04MAR2008	Tyco Electronics Corporation Taipei, Taiwan					
DIMENSIONS: MM		CHK	S. HOU	04MAR2008				NAME MODULAR JACK, RJ45, 8P8C, WITH LED & SHIELD, DIP, REVERSE VERSION		
TOLERANCES UNLESS OTHERWISE SPECIFIED:		APVD	W. KODAMA	04MAR2008	PRODUCT SPEC 108-57535					
0 PLC ± 0.50 1 PLC ± 0.38 2 PLC ± 0.25 3 PLC ± 0.10 4 PLC ± - ANGLES ± -		QUALIFICATION TEST REPORT						SIZE	CAGE CODE	DRAWING NO
MATERIAL SEE NOTE		FINISH SEE NOTE			WEIGHT 4.5 GRAMS 501-57628			A300779 C-1734324	—	
CUSTOMER DRAWING					SCALE	—	SHEET	4 OF 7	REV	A

THIS DRAWING IS UNPUBLISHED. RELEASED FOR PUBLICATION
 © COPYRIGHT BY TYCO ELECTRONICS CORPORATION. ALL RIGHTS RESERVED.

LOC DW	DIST -	REVISIONS		
P	LTR	DESCRIPTION	DATE	DWN APVD
		SEE SHEET 1.		

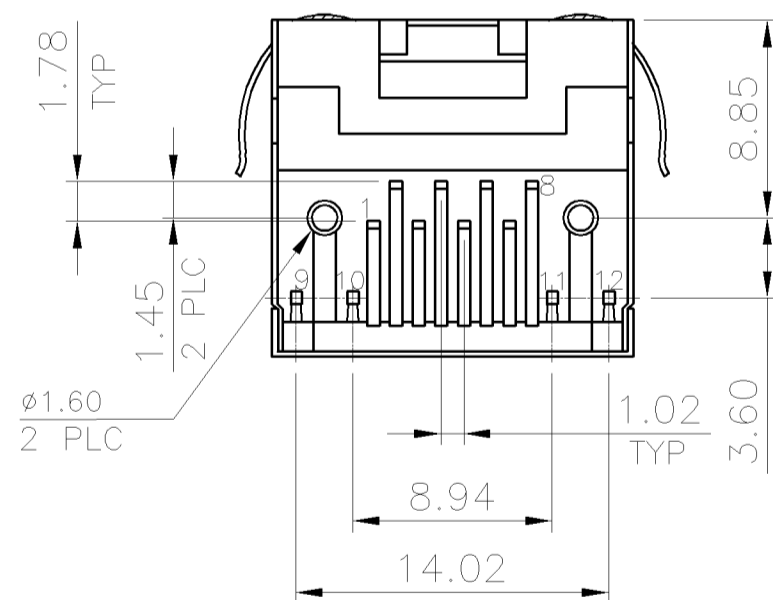


SECTION A-A



RECOMMENDED PCB LAYOUT (THICKNESS: 1.6mm)
 DIMENSION TOLERANCE: 1 PLC: ±0.1 2PLC: ±0.05

- NOTE:
- MATERIAL:
HOUSING: PA9T WITH 30% GF, UL 94V-0, BLACK COLOR.
CONTACTS: PHOSPHOR BRONZE.
LED LIGHT: EPOXY RESIN.
SHELL: BRASS.
 - FINISH:
CONTACTS: (SEE TABLE) GOLD PLATED ON CONTACT AREA, GOLD FLASH ON SOLDER TAILS, WITH ENTIRE CONTACT UNDERPLATED 1.27µm [50µ"] MIN. NICKEL.
LED: 1.65µm [65µ"] MIN. Ag PLATED.
2.16µm [85µ"] MIN. TIN PLATED.
FORWARD CURRENT: 20mA.
FORWARD VOLTAGE: 2.2 VOLTS TYPICAL.
SHELL: 0.50µm [20µ"] MIN. NICKEL PLATED.
 - LED MUST BE REFLOW COMPATIBLE TO FOLLOWING TEMPERATURE PROFILE (FOR 1 CYCLE): ABOVE 160°C FOR 120 SECONDS, PEAKING AT 220°C FOR 10 SECONDS.
 - LED DEFECT RATE IS 6000 PPM MAX. AFTER IR REFLOW PROCESS AS NOTE 3.
 - REFLOW SOLDER CAPABLE TO 260°C PER TE SPEC. 109-201, CONDITION B.



TAPE & REEL	GREEN & ORANGE	YELLOW	50µ"	6-1734324-8
			30µ"	6-1734324-7
			15µ"	6-1734324-6
			6µ"	6-1734324-5
TRAY	GREEN & ORANGE	YELLOW	50µ"	6-1734324-4
			30µ"	6-1734324-3
			15µ"	6-1734324-2
			6µ"	6-1734324-1
PACKAGE	POSITION 2	POSITION 1	MIN. GOLD THICKNESS	PART NUMBER
	INDICATOR COLOR			

THIS DRAWING IS A CONTROLLED DOCUMENT.		DWN A. WU 04MAR2008	Tyco Electronics Corporation Taipei, Taiwan														
DIMENSIONS: MM		CHK S. HOU 04MAR2008															
TOLERANCES UNLESS OTHERWISE SPECIFIED:		APVD W. KODAMA 04MAR2008	NAME														
<table border="1"> <tr><td>0 PLC</td><td>± 0.50</td></tr> <tr><td>1 PLC</td><td>± 0.38</td></tr> <tr><td>2 PLC</td><td>± 0.25</td></tr> <tr><td>3 PLC</td><td>± 0.10</td></tr> <tr><td>4 PLC</td><td>± -</td></tr> <tr><td>ANGLES</td><td>± -</td></tr> </table>		0 PLC	± 0.50	1 PLC	± 0.38	2 PLC	± 0.25	3 PLC	± 0.10	4 PLC	± -	ANGLES	± -	PRODUCT SPEC 108-57535	MODULAR JACK, RJ45, 8P8C, WITH LED & SHIELD, DIP, REVERSE VERSION		
0 PLC	± 0.50																
1 PLC	± 0.38																
2 PLC	± 0.25																
3 PLC	± 0.10																
4 PLC	± -																
ANGLES	± -																
MATERIAL SEE NOTE		QUALIFICATION TEST REPORT 501-57628	SIZE A3	CAGE CODE 00779	DRAWING NO 1734324												
FINISH SEE NOTE		WEIGHT 4.5 GRAMS	RESTRICTED TO -														
CUSTOMER DRAWING			SCALE -	SHEET 5 OF 7	REV A												

THIS DRAWING IS UNPUBLISHED.

RELEASED FOR PUBLICATION

ALL RIGHTS RESERVED.

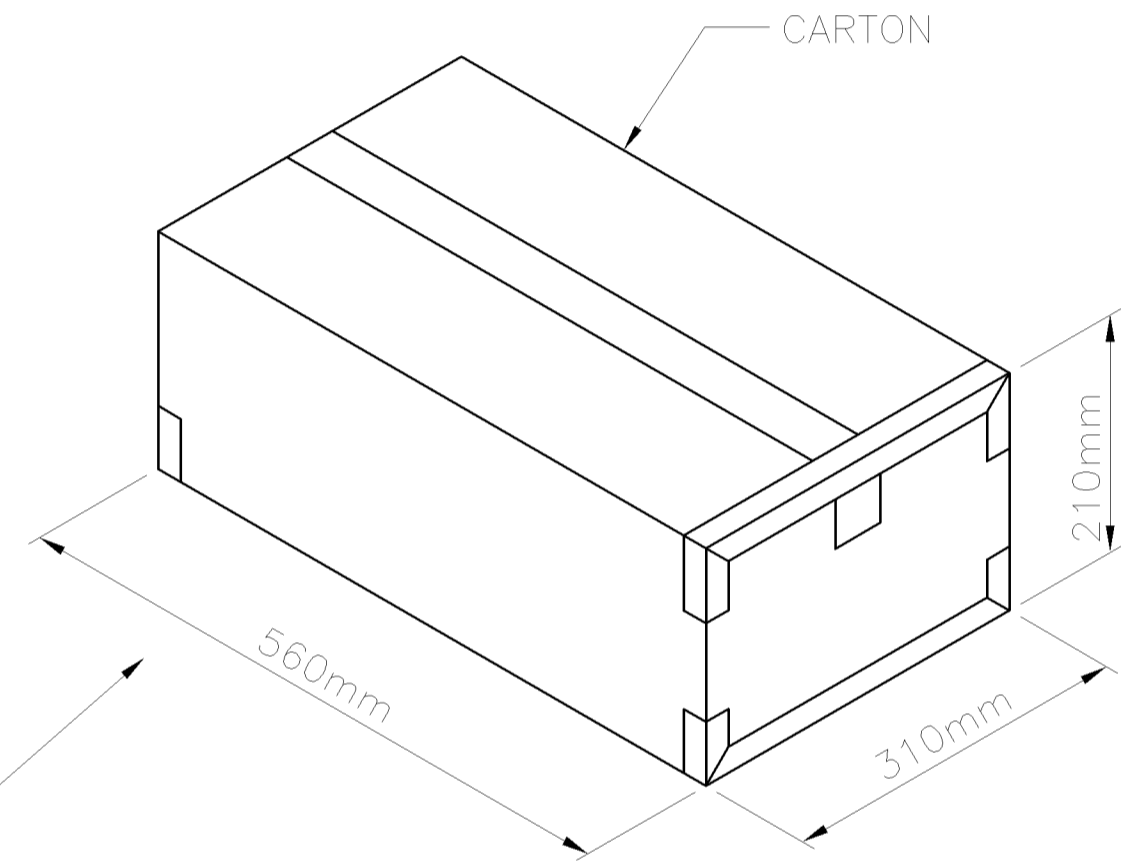
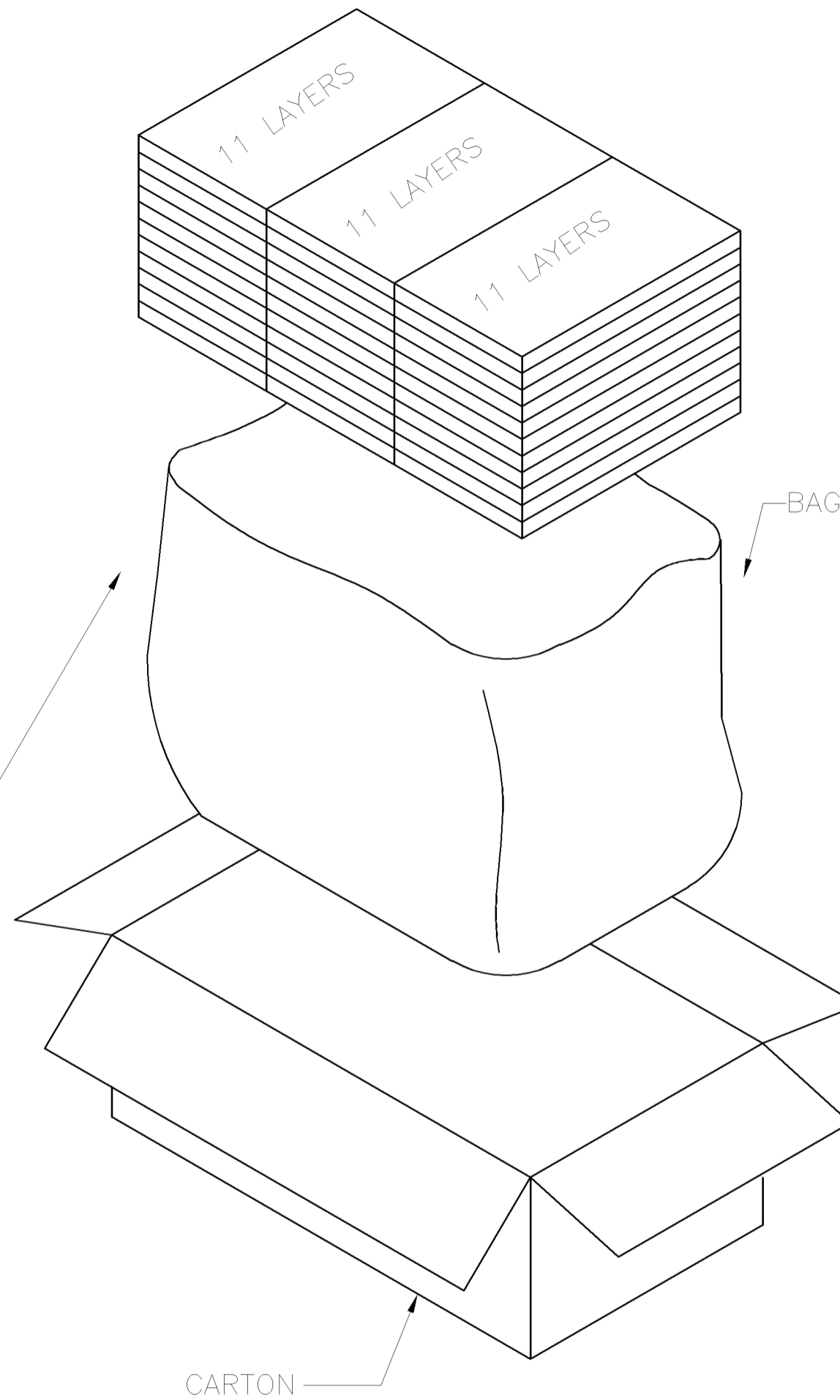
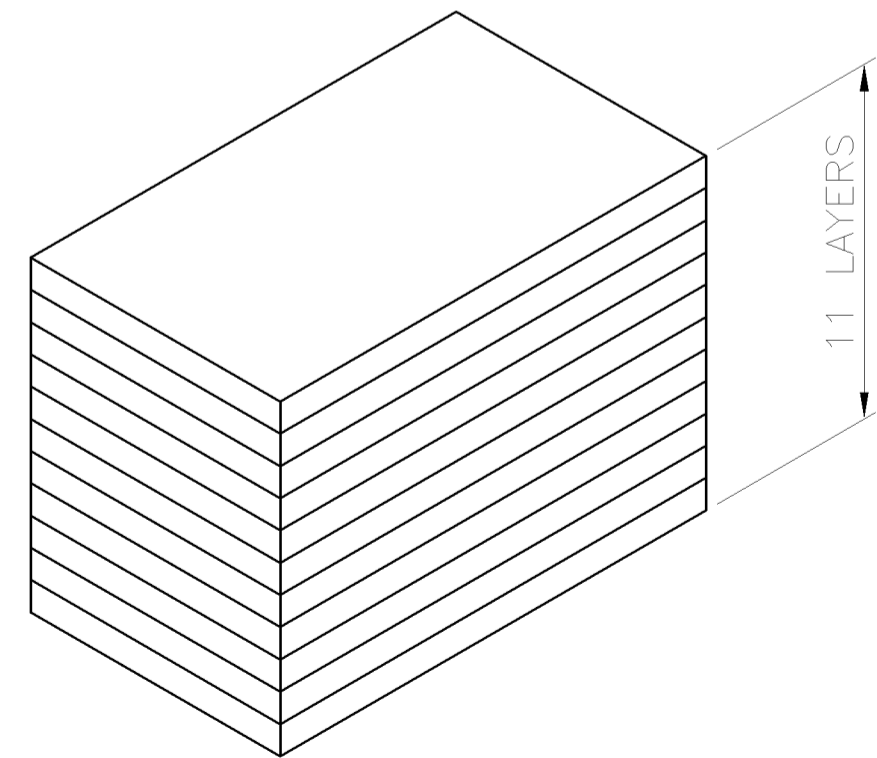
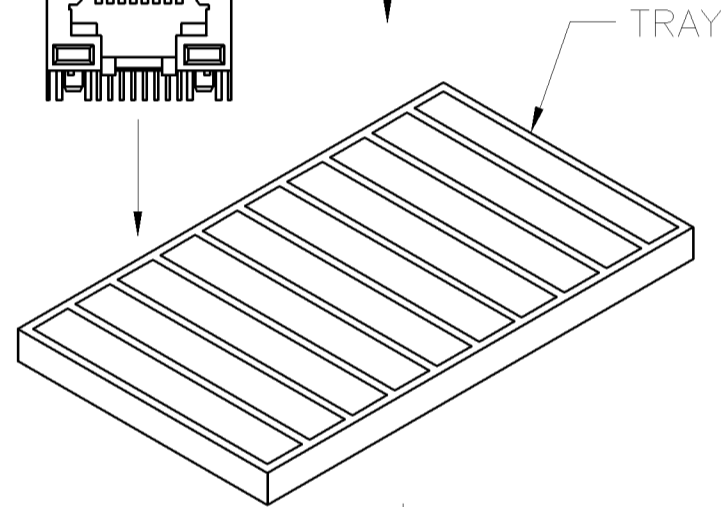
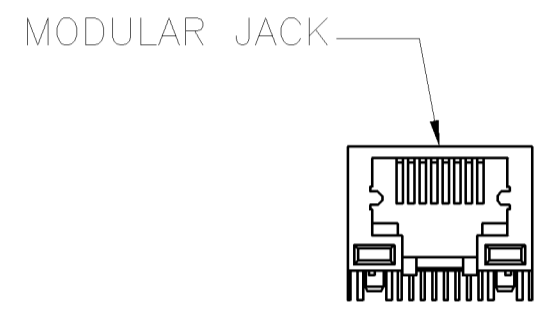
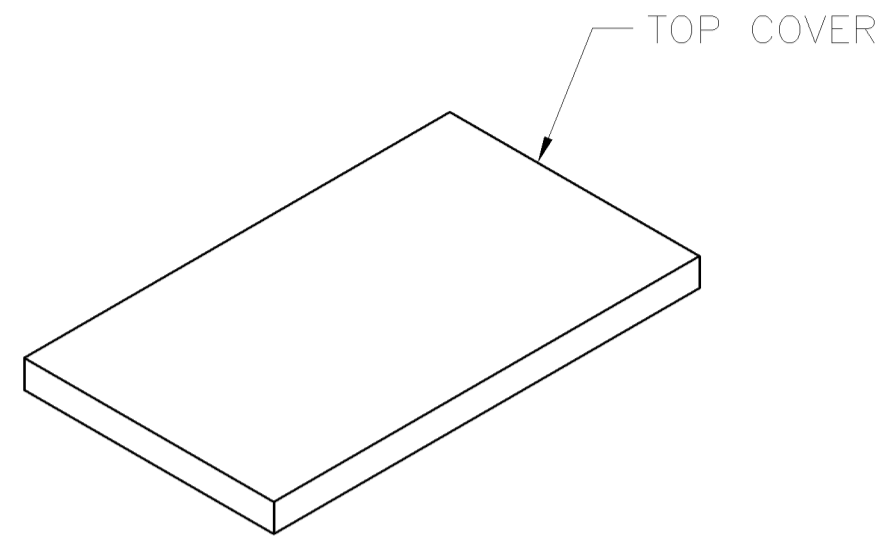
© COPYRIGHT -

LOC
DW

DIST
-

REVISIONS

P	LTR	DESCRIPTION	DATE	DWN	APVD
		SEE SHEET 1.			

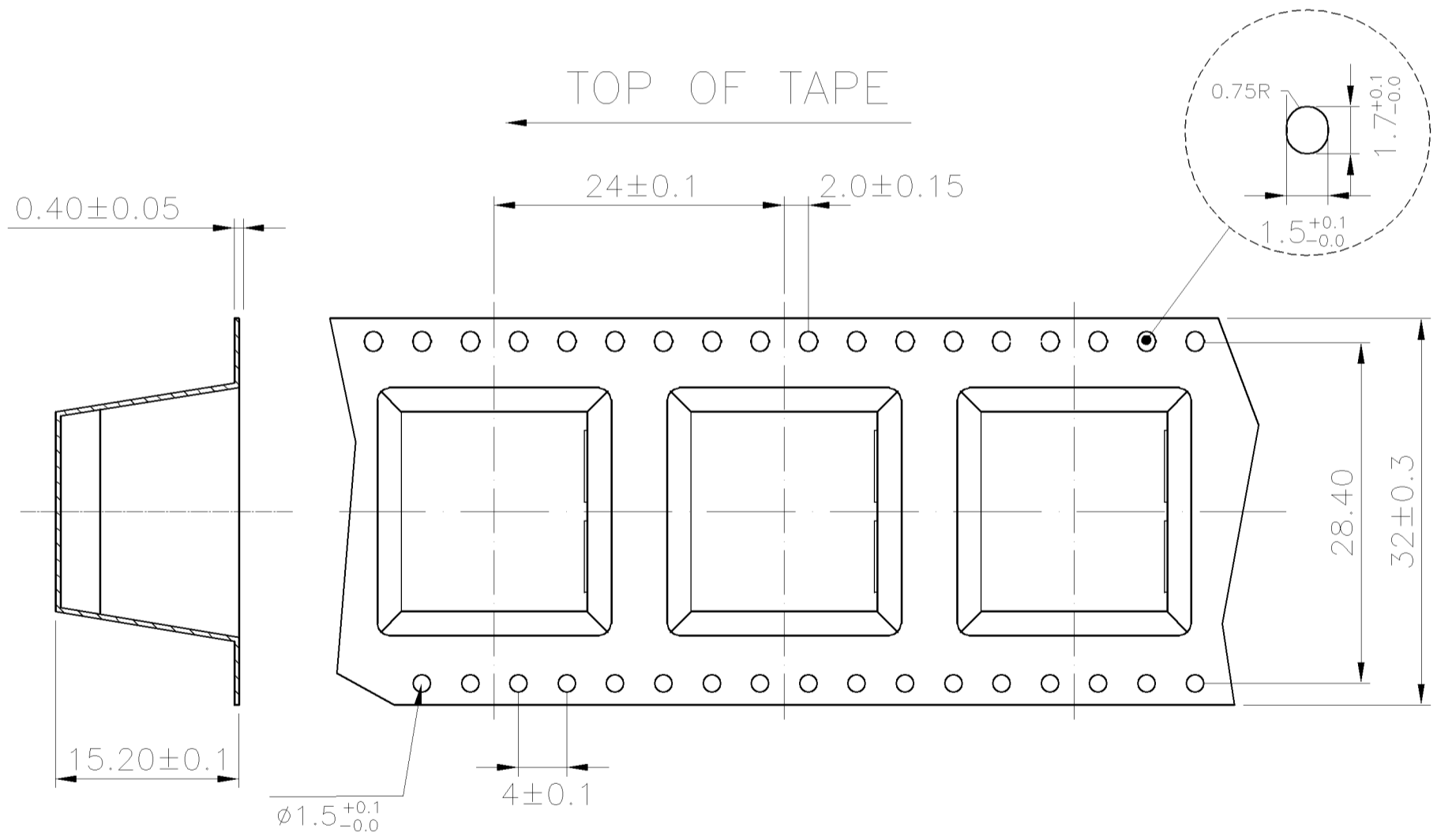
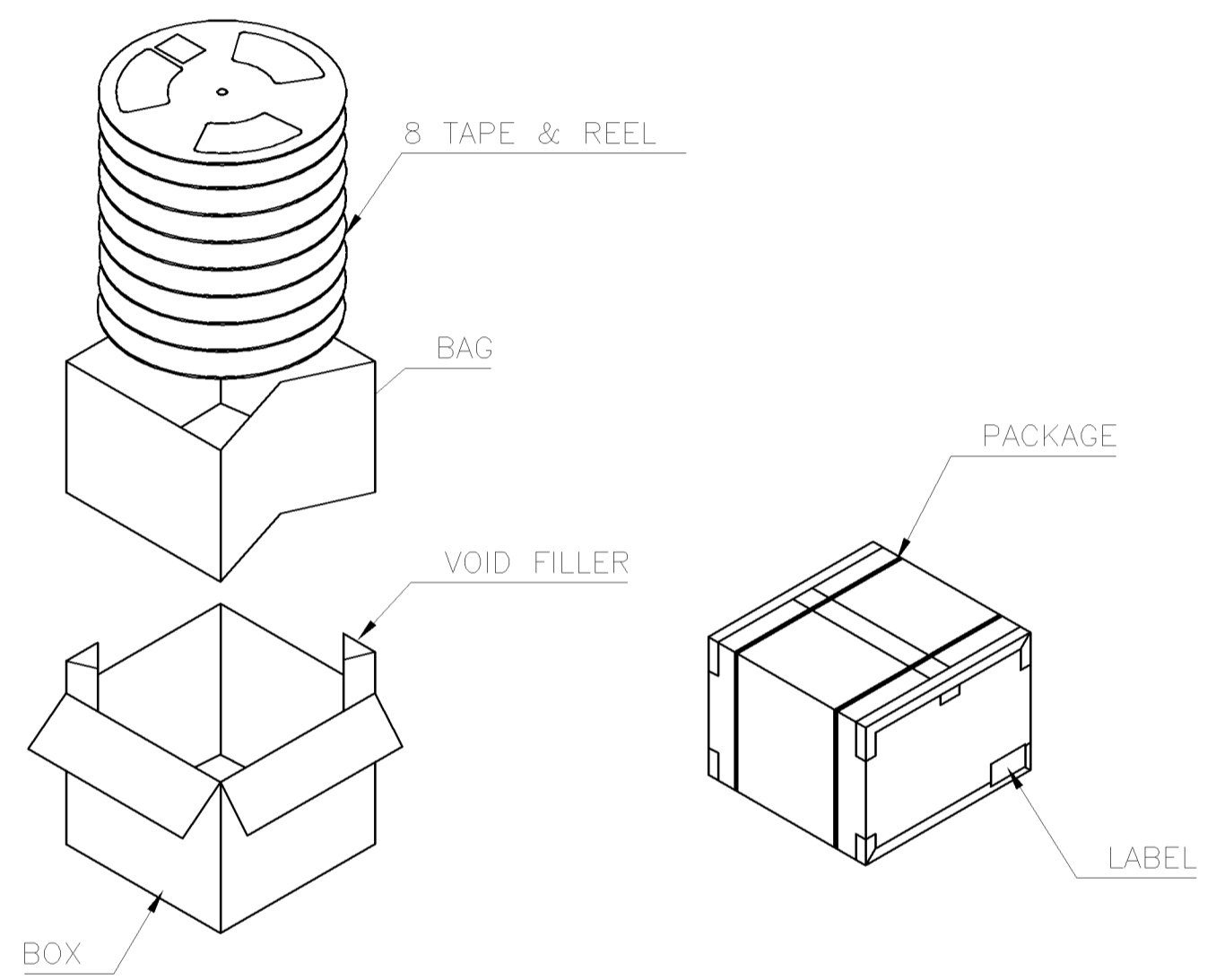
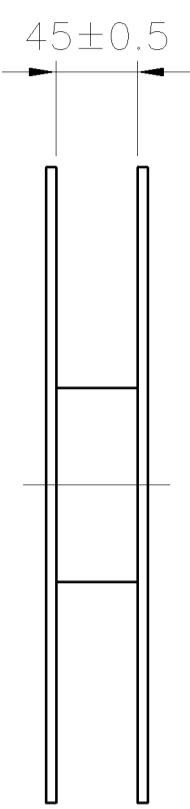
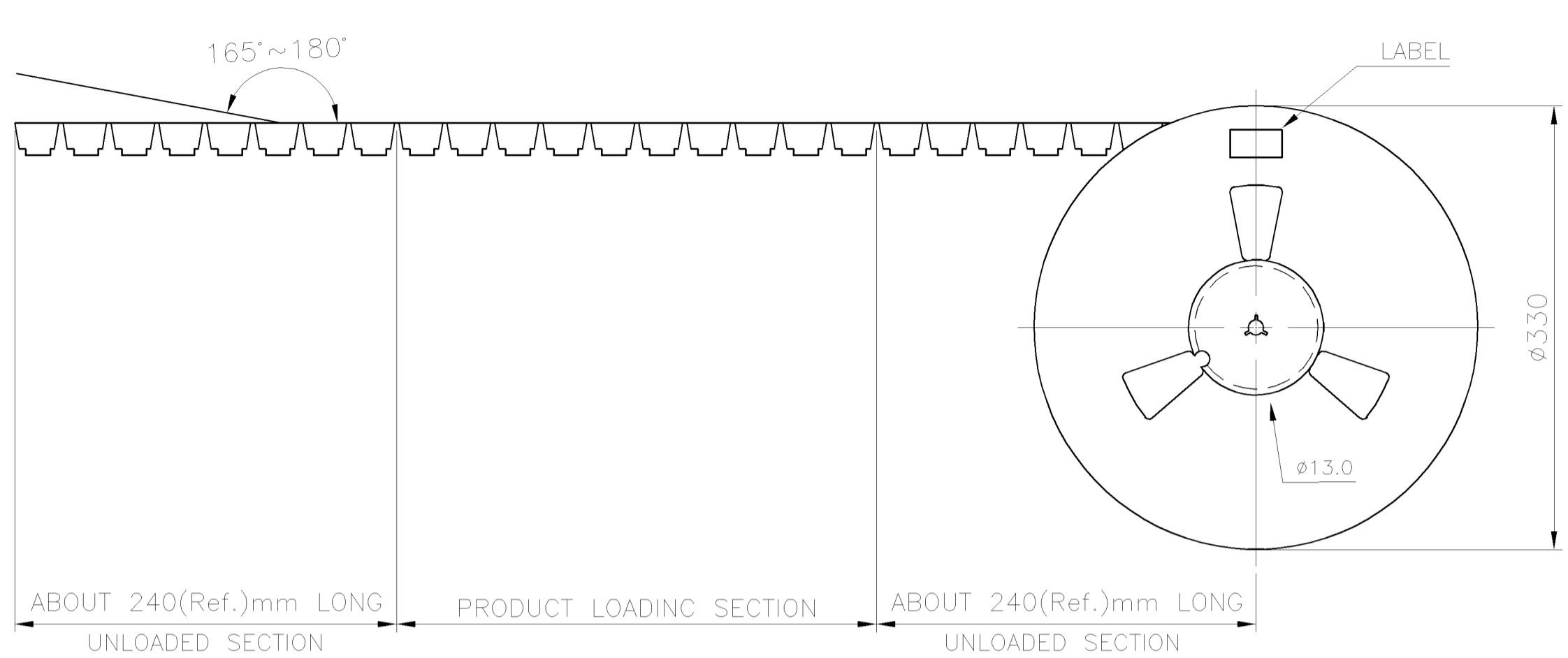


13 Kg	12 Kg	2640	80	5-1734324-X
				6-1734324-X
14.5 Kg	13.5 Kg	2970	90	4-1734324-X
				2-1734324-X
				1-1734324-X
				1734324-X
GROSS WEIGHT	NET WEIGHT	PCS/CARTON	PCS/TRAY	PART NUMBER

THIS DRAWING IS A CONTROLLED DOCUMENT.		DWN A. WU 04MAR2008	Tyco Electronics Corporation Taipei, Taiwan	
DIMENSIONS: MM		CHK S. HOU 04MAR2008	NAME	
TOLERANCES UNLESS OTHERWISE SPECIFIED:		APVD W. KODAMA 04MAR2008	MODULAR JACK, RJ45, 8P8C, WITH LED & SHIELD, DIP, REVERSE VERSION	
0 PLC ± -		PRODUCT SPEC	SIZE	
1 PLC ± -		APPLICATION SPEC	CAGE CODE	
2 PLC ± -		WEIGHT	DRAWING NO	
3 PLC ± -		CUSTOMER DRAWING	RESTRICTED TO	
4 PLC ± -			A300779	
ANGLES ± -			G=1734324	
FINISH			SCALE	
			SHEET	
			6 OF 7	
			REV A	

THIS DRAWING IS UNPUBLISHED. RELEASED FOR PUBLICATION
 © COPYRIGHT - ALL RIGHTS RESERVED.

LOC	DIST	REVISIONS					
DW	-	P	LTR	DESCRIPTION	DATE	DWN	APVD
				SEE SHEET 1.			



8.5 Kg	6.5 Kg	180	8	1440 PCS
GROSS WEIGHT	NET WEIGHT	PCS/REEL	REELS/BOX	QUANTITY

THIS DRAWING IS A CONTROLLED DOCUMENT.		DWN	A. WU	04MAR2008	Tyco Electronics Corporation Taipei, Taiwan		
DIMENSIONS: MM		CHK	S. HOU	04MAR2008			
TOLERANCES UNLESS OTHERWISE SPECIFIED:		APVD	W. KODAMA	04MAR2008	MODULAR JACK, RJ45, 8P8C, WITH LED & SHIELD, DIP, REVERSE VERSION		
0 PLC ± -		PRODUCT SPEC		SIZE			RESTRICTED TO
1 PLC ± -		APPLICATION SPEC		CAGE CODE			A300779
2 PLC ± -		WEIGHT		DRAWING NO			
3 PLC ± -		CUSTOMER DRAWING		G=1734324			7 OF 7
4 PLC ± -		SCALE		REV			
ANGLES ± -		SHEET		REV			A
FINISH		SCALE		SHEET			