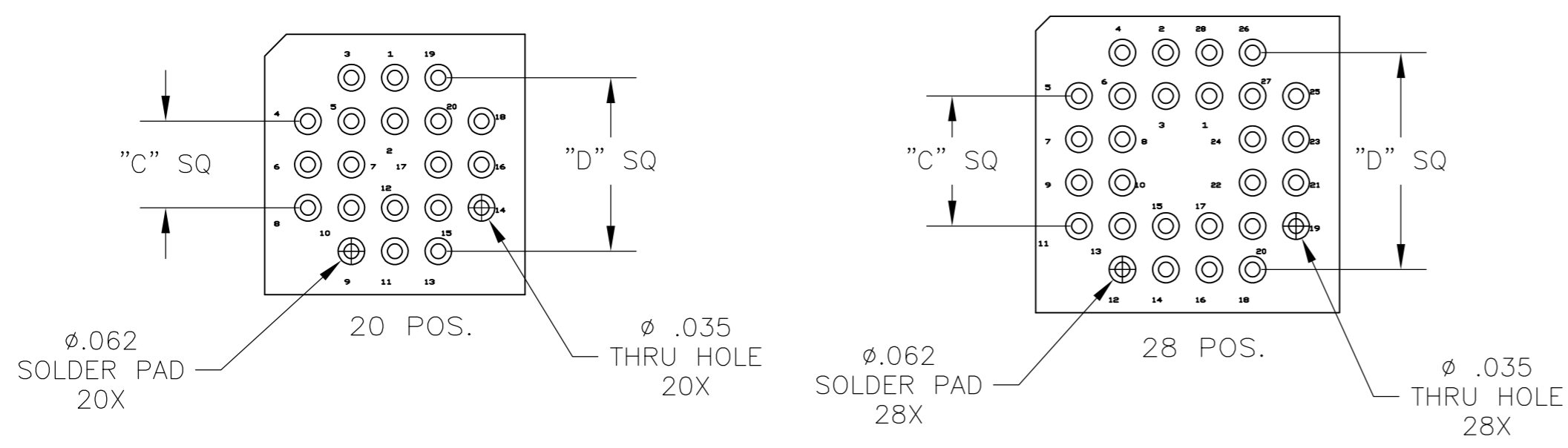
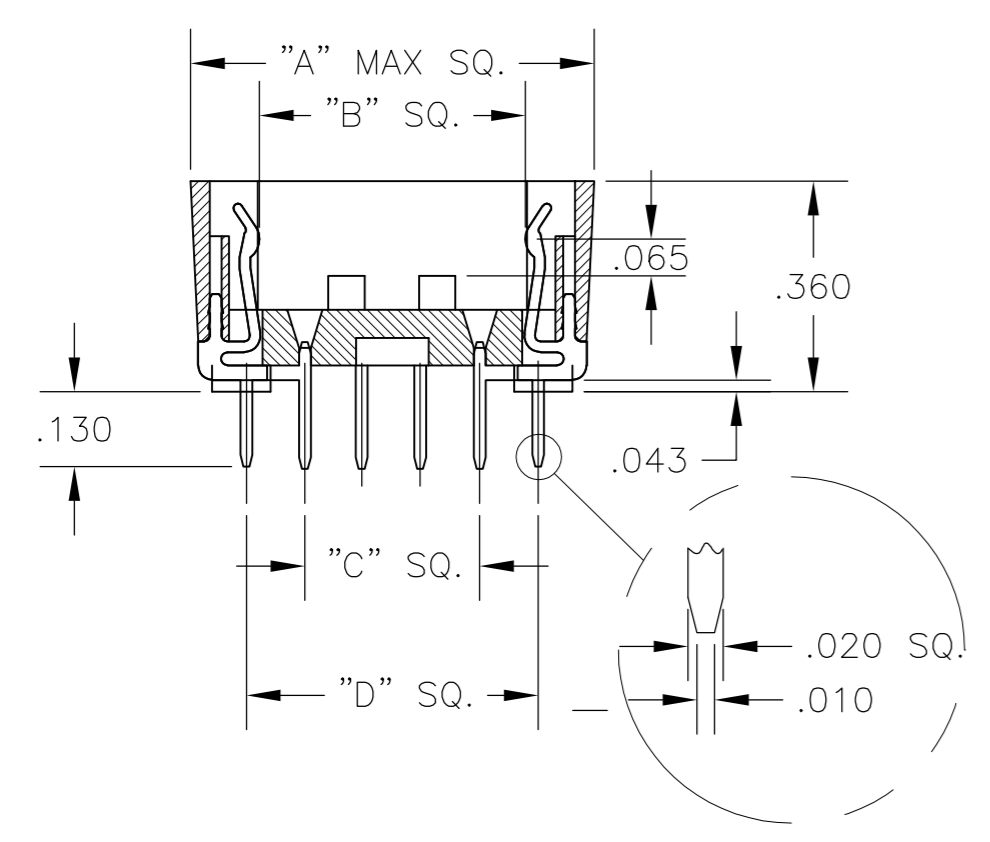
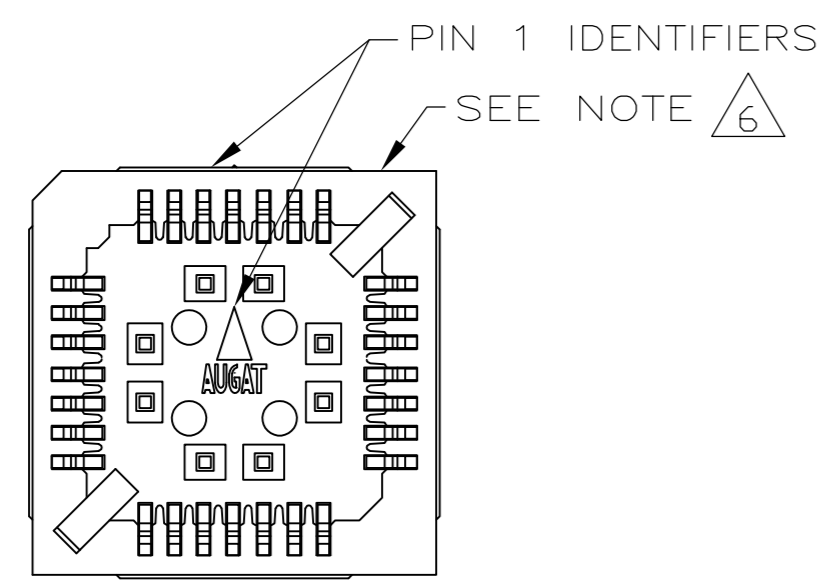


THIS DRAWING IS UNPUBLISHED. RELEASED FOR PUBLICATION
 © COPYRIGHT BY TYCO ELECTRONICS CORPORATION. ALL RIGHTS RESERVED.

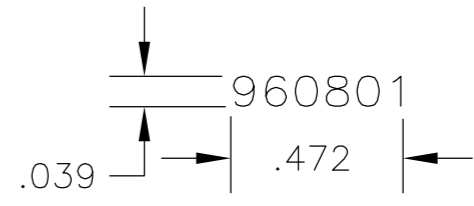
LOC	DIST	REVISIONS			
P	LTR	DESCRIPTION	DATE	DWN	APVD
AD	00	B1	ECO-07-005143	10JUL2007	RB DR



RECOMMENDED HOLE LAYOUT
 TOLERANCE: \pm .002
 UNLESS OTHERWISE NOTED



NOTES:

- MATERIALS:
 CONTACT: COPPER ALLOY, .000180 MIN TIN PLATE OVER .000050 MIN NICKEL.
 INSULATOR: PPS, 40% GLASS FILLED, UL 94V-0
- ELECTRICAL:
 CURRENT CAPACITY: 1 AMP.
 LOW LEVEL CONTACT RESISTANCE: 30 MILLIOHMS MAX.
 CAPACITANCE (CONTACT TO CONTACT: 1 pF MAX. @ 1kHz, MIL-STD-202, METHOD 305.
 DIELECTRIC WITHSTANDING VOLTAGE: 600 VAC PER MIL-STD-1344, METHOD 3001.1.
- MECHANICAL:
 FORCE, INSERTION: 310g MAX. PER LINE.
 FORCE, WITHDRAWAL: 31g MIN. PER LINE.
 FORCE, NORMAL: 200g MIN. PER LINE.
- ENVIRONMENTAL:
 OPERATING TEMPERATURE: -67°F TO +221°F (-55°C TO +105°C.)
 STORAGE TEMPERATURE: -67°F TO +221°F (-55°C TO +105°C.)
- INTERPRET DRAWING PER ASME Y14.5M-1994.
- DATE CODE (PER BELOW) TO BE LASER CODED AND CENTERED ON THIS SURFACE.

- UL RECOGNITION E28476.

PART NO.	POS.	DIM "A"	DIM "B"	DIM "C"	DIM "D"	DIM "E"	DIM "F"
1571539-1	20	.590	.360	.200	.400	.390	.105
1571539-2	28	.690	.460	.300	.500	.490	.105

THIS DRAWING IS A CONTROLLED DOCUMENT.		DWN D. MURREN 25AUG03	Tyco Electronics Corporation Harrisburg, Pa. 17105	
DIMENSIONS: INCHES		CHK K. WRIGHT 24APR03	NAME OUTLINE DRAWING PLCC SOCKET	
TOLERANCES UNLESS OTHERWISE SPECIFIED: 0 PLC \pm - 1 PLC \pm - 2 PLC \pm - 3 PLC \pm .010 4 PLC \pm - ANGLES \pm 1°		APVD K. WRIGHT 24APR03	APPLICATION SPEC	
MATERIAL		FINISH	SIZE A2	CAGE CODE 00779
1		1	DRAWING NO 1571539	
CUSTOMER DRAWING		SCALE 3:1		SHEET 1 OF 1
				REV B1