

# **ADSP-21479 EZ-Board® Evaluation System Manual**

Revision 1.1, July 2012

Part Number  
82-000229-01

Analog Devices, Inc.  
One Technology Way  
Norwood, Mass. 02062-9106



## **Copyright Information**

© 2012 Analog Devices, Inc., ALL RIGHTS RESERVED. This document may not be reproduced in any form without prior, express written consent from Analog Devices, Inc.

Printed in the USA.

## **Disclaimer**

Analog Devices, Inc. reserves the right to change this product without prior notice. Information furnished by Analog Devices is believed to be accurate and reliable. However, no responsibility is assumed by Analog Devices for its use; nor for any infringement of patents or other rights of third parties which may result from its use. No license is granted by implication or otherwise under the patent rights of Analog Devices, Inc.

## **Trademark and Service Mark Notice**

The Analog Devices logo, CrossCore, EngineerZone, EZ-Board, EZ-Extender, SHARC, and VisualDSP++ are registered trademarks of Analog Devices, Inc.

All other brand and product names are trademarks or service marks of their respective owners.

## Regulatory Compliance

The ADSP-21479 EZ-Board is designed to be used solely in a laboratory environment. The board is not intended for use as a consumer end product or as a portion of a consumer end product. The board is an open system design which does not include a shielded enclosure and therefore may cause interference to other electrical devices in close proximity. This board should not be used in or near any medical equipment or RF devices.

The ADSP-21479 EZ-Board has been certified to comply with the essential requirements of the European EMC directive 2004/108/EC and therefore carries the “CE” mark.

The ADSP-21479 EZ-Board has been appended to Analog Devices, Inc. EMC Technical File (EMC TF) referenced **DSPTOOLS1**, issue 2 dated June 4, 2008 and was declared CE compliant by an appointed Notified Body (No.0673) as listed below.

Notified Body Statement of Compliance: Z600ANA2.036, dated May 21, 2010.



Issued by: Technology International (Europe) Limited  
56 Shrivenham Hundred Business Park  
Shrivenham, Swindon, SN6 8TY, UK

The EZ-Board evaluation system contains ESD (electrostatic discharge) sensitive devices. Electrostatic charges readily accumulate on the human body and equipment and can discharge without detection. Permanent damage may occur on devices subjected to high-energy discharges. Proper ESD precautions are recommended to avoid performance degradation or loss of functionality. Store unused EZ-Boards in the protective shipping package.





# CONTENTS

## PREFACE

Product Overview .....	xii
Purpose of This Manual .....	xv
Intended Audience .....	xv
Manual Contents .....	xv
What's New in This Manual .....	xvi
Technical Support .....	xvi
Supported Processors .....	xvii
Product Information .....	xviii
Analog Devices Web Site .....	xviii
EngineerZone .....	xix
Related Documents .....	xix
Notation Conventions .....	xx

## USING THE ADSP-21479 EZ-BOARD

Package Contents .....	1-2
Default Configuration .....	1-3
CCES Install and Session Startup .....	1-5
Session Startup .....	1-6

# Contents

VisualDSP++ Install and Session Startup .....	1-9
Session Startup .....	1-10
CCES Evaluation License .....	1-11
VisualDSP++ Evaluation License .....	1-12
Memory Map .....	1-13
SDRAM Interface .....	1-14
SRAM Interface .....	1-15
Parallel Flash Memory Interface .....	1-15
SPI Interface .....	1-16
Watch Dog Timer Interface .....	1-17
Real-Time Clock Interface .....	1-17
Shift Register Interface .....	1-18
S/PDIF Interface .....	1-20
Audio Interface .....	1-20
UART Interface .....	1-22
LEDs and Push Buttons .....	1-23
JTAG Interface .....	1-24
Expansion Interface II .....	1-26
Power Measurements .....	1-27
Power-On-Self Test .....	1-27
Example Programs .....	1-28
Board Design Database .....	1-28

## ADSP-21479 EZ-BOARD HARDWARE REFERENCE

System Architecture .....	2-2
DAI Interface .....	2-3
DPI Interface .....	2-4
Flags and Memory Selects .....	2-5
Push Buttons and Switches .....	2-7
DAI [1–8] Enable Switch (SW1) .....	2-8
DAI [9–16] Enable Switch (SW2) .....	2-8
DPI [1–8] Enable Switch (SW3) .....	2-9
Boot Mode Select Switch (SW4) .....	2-10
DSP Clock Configuration Switch (SW5) .....	2-10
DAI [17–20] Enable Switch (SW7) .....	2-11
Programmable Flag Push Buttons (SW8–11) .....	2-12
Reset Push Button (SW12) .....	2-12
External Port Enable Switch (SW13) .....	2-12
DPI [9–14] Enable Switch (SW14) .....	2-13
Audio In1 Left Selection Switch (SW15) .....	2-14
Audio In1 Right Selection Switch (SW16) .....	2-14
Audio In2 Right Selection Switch (SW17) .....	2-15
Audio In2 Left Selection Switch (SW18) .....	2-16
JTAG Switches (SW19–22) .....	2-16
Headphone Enable Switch (SW23) .....	2-18
Audio Loopback Switches (SW24–25) .....	2-18

# Contents

Jumpers .....	2-19
Flash WP Jumper (JP1) .....	2-20
S/PDIF Loopback Jumper (JP2) .....	2-20
UART RTS/CTS Jumper (JP3) .....	2-20
UART Loopback Jumper (JP4) .....	2-20
DSP Audio Oscillator Jumper (JP5) .....	2-20
LEDs .....	2-21
GPIO LEDs (LED1–8) .....	2-22
Power LED (LED9) .....	2-22
Reset LED (LED10) .....	2-22
Connectors .....	2-23
Expansion Interface II Connector (J1) .....	2-24
RS-232 Connector (J2) .....	2-24
MP JTAG Connector (J3) .....	2-24
RCA Audio Connector (J4) .....	2-25
RCA Audio Connector (J5) .....	2-25
S/PDIF In Connector (J6) .....	2-25
S/PDIF Out Connector (J7) .....	2-25
Headphone Out Connector (J8) .....	2-26
JTAG Connector (P1) .....	2-26
Expansion Interface II Connector (P2) .....	2-26
VDDRTC Power Connector (P3) .....	2-27
Shift Register Interface Connector (P4) .....	2-27
Power Connector (P5) .....	2-27



VDDEXT Power Connector (P6) .....	2-28
VDDINT Power Connector (P7) .....	2-28
Differential In/Out Connectors (P8–9) .....	2-28
MP JTAG Out Connector (P10) .....	2-29
Standalone Debug Agent Connector (ZP1) .....	2-29

### **ADSP-21479 EZ-BOARD BILL OF MATERIALS**

### **ADSP-21479 EZ-BOARD SCHEMATIC**

### **INDEX**

# Contents

# PREFACE

Thank you for purchasing the ADSP-21479 EZ-Board<sup>®</sup>, Analog Devices, Inc. evaluation system for SHARC<sup>®</sup> processors.

SHARC processors are based on a 32-bit super Harvard architecture that includes a unique memory architecture comprised of two large on-chip, dual-ported SRAM blocks coupled with a sophisticated IO processor, which gives a SHARC processor the bandwidth for sustained high-speed computations. SHARC processors represents today's de facto standard for floating-point processing, targeted toward premium audio applications.

The evaluation board is designed to be used in conjunction with the CrossCore<sup>®</sup> Embedded Studio (CCES) and VisualDSP++<sup>®</sup> development environments to test the capabilities of the ADSP-21479 SHARC processors. The development environment aids advanced application code development and debug, such as:

- Create, compile, assemble, and link application programs written in C++, C, and assembly
- Load, run, step, halt, and set breakpoints in application programs
- Read and write data and program memory
- Read and write core and peripheral registers
- Plot memory

Access to the processor from a personal computer (PC) is achieved through a USB port or an external JTAG emulator. The USB interface of the standalone debug agent gives unrestricted access to the processor and

## Product Overview

evaluation board's peripherals. Analog Devices JTAG emulators offer faster communication between the host PC and target hardware. To learn more about Analog Devices emulators and processor development tools, go to <http://www.analog.com/dsp/tools>.

The ADSP-21479 EZ-Board provides example programs to demonstrate the product capabilities.

## Product Overview

The board features:

- Analog Devices ADSP-21479 SHARC processor
  - Core performance up to 266 MHz
  - 196-pin BGA package
  - 16.625 MHz `CLKIN` oscillator
  - 5 Mb of internal RAM memory
- Parallel flash memory
  - Numonyx M29W320EB – 4 MB (4M x 8 bits)
- SDRAM memory
  - Micron MT48LC16M16A2P-6A – 16 Mb x 16 bits (256 Mb or 32 MB)
- Asynchronous memory (SRAM)
  - ISSI IS61WV102416BLL-10TLI – 1M x 16 bits (2 MB)
- SPI flash memory
  - Numonyx M25P16 – 16 Mb

- Analog audio interface
  - Analog Devices AD1939 audio codec
  - 4 x 2 RCA phono jack for eight channels of stereo output
  - 4 x 1 RCA phono jack for four channel of stereo input
  - Two DB25 connectors for differential inputs/outputs
  - 3.5 mm headphone jack with volume control connected to one of the stereo outputs
  - Supports all eight DACs and four ADCs in TDM and I<sup>2</sup>S modes at 48 KHz, 96 KHz, and 192 KHz sample rates
- Digital audio interface (S/PDIF)
  - RCA phono jack output
  - RCA phono jack input
- Universal asynchronous receiver/transmitter (UART)
  - ADM3202 RS-232 line driver/receiver
  - DB9 female connector
- LEDs
  - Ten LEDs: one board reset (red), eight general-purpose (amber), and one power (green)
- Push buttons
  - Five push buttons: one reset, two connected to the DAI, and two connected to FLAG pins of the processor

## Product Overview

- Expansion interface II
  - Next generation of the expansion interface design, provides access to most of the processor signals
- Power supply
  - 5V @ 3.6 Amps
- Other features
  - Watch dog timer (WDT) system reset implementation
  - Real-time clock (RTC)
  - Shift register (SR)
  - SHARC power measurement jumpers
  - JTAG ICE 14-pin header
  - USB cable

Please visit [www.analog.com/21479EZBoard](http://www.analog.com/21479EZBoard) for additional information, including CCES support.

For information about hardware components of the EZ-Board, refer to “[ADSP-21479 EZ-Board Hardware Reference](#)” on page 2-1.

## Purpose of This Manual

The *ADSP-21479 EZ-Board Evaluation System Manual* provides instructions for installing the product hardware (board). The text describes operation and configuration of the board components and provides guidelines for running your own code on the ADSP-21479 EZ-Board. Finally, a schematic and a bill of materials are provided for reference.

## Intended Audience

The primary audience for this manual is a programmer who is familiar with Analog Devices processors. This manual assumes that the audience has a working knowledge of the appropriate processor architecture and instruction set.

Programmers who are unfamiliar with Analog Devices processors can use this manual, but should supplement it with other texts that describe your target architecture. For the locations of these documents, see [“Related Documents”](#).

Programmers who are unfamiliar with CCES or VisualDSP++ should refer to the online help and user’s manuals.

## Manual Contents

The manual consists of:

- Chapter 1, [“Using The ADSP-21479 EZ-Board”](#) on page 1-1  
Describes EZ-Board functionality from a programmer’s perspective and provides a simplified memory map.
- Chapter 2, [“ADSP-21479 EZ-Board Hardware Reference”](#) on page 2-1  
Provides information about the EZ-Board hardware components.

## What's New in This Manual

- Appendix A, “[ADSP-21479 EZ-Board Bill Of Materials](#)” on [page A-1](#)  
Provides a list of components used to manufacture the EZ-Board.
- Appendix B, “[ADSP-21479 EZ-Board Schematic](#)” on [page B-1](#)  
Provides resources for board-level debugging, can be used as a reference guide.

## What's New in This Manual

This is revision 1.1 of the *ADSP-21479 EZ-Board Evaluation System Manual*. The manual has been updated to include CCES information.

For the latest version of this manual, please refer to the Analog Devices Web site.

## Technical Support

You can reach Analog Devices processors and DSP technical support in the following ways:

- Post your questions in the processors and DSP support community at EngineerZone<sup>®</sup>:  
<http://ez.analog.com/community/dsp>
- Submit your questions to technical support directly at:  
<http://www.analog.com/support>



- E-mail your questions about processors, DSPs, and tools development software from **CrossCore Embedded Studio** or **VisualDSP++**:

Choose **Help > Email Support**. This creates an e-mail to [processor.tools.support@analog.com](mailto:processor.tools.support@analog.com) and automatically attaches your **CrossCore Embedded Studio** or **VisualDSP++** version information and `license.dat` file.

- E-mail your questions about processors and processor applications to:  
[processor.support@analog.com](mailto:processor.support@analog.com) or  
[processor.china@analog.com](mailto:processor.china@analog.com) (Greater China support)
- In the **USA only**, call **1-800-ANALOGD** (1-800-262-5643)
- Contact your Analog Devices sales office or authorized distributor. Locate one at:  
[www.analog.com/adi-sales](http://www.analog.com/adi-sales)
- Send questions by mail to:  
Processors and DSP Technical Support  
Analog Devices, Inc.  
Three Technology Way  
P.O. Box 9106  
Norwood, MA 02062-9106  
USA

## Supported Processors

This evaluation system supports Analog Devices ADSP-21479 SHARC processors. Functionality of the ADSP-21478 processors can be evaluated using the same product because the processors have many similarities.

# Product Information

Product information can be obtained from the Analog Devices Web site and the online help system.

## Analog Devices Web Site

The Analog Devices Web site, [www.analog.com](http://www.analog.com), provides information about a broad range of products—analogue integrated circuits, amplifiers, converters, and digital signal processors.

To access a complete technical library for each processor family, go to [http://www.analog.com/processors/technical\\_library](http://www.analog.com/processors/technical_library). The manuals selection opens a list of current manuals related to the product as well as a link to the previous revisions of the manuals. When locating your manual title, note a possible errata check mark next to the title that leads to the current correction report against the manual.

Also note, [myAnalog.com](http://myAnalog.com) is a free feature of the Analog Devices Web site that allows customization of a Web page to display only the latest information about products you are interested in. You can choose to receive weekly e-mail notifications containing updates to the Web pages that meet your interests, including documentation errata against all manuals. [myAnalog.com](http://myAnalog.com) provides access to books, application notes, data sheets, code examples, and more.

Visit [myAnalog.com](http://myAnalog.com) (found on the Analog Devices home page) to sign up. If you are a registered user, just log on. Your user name is your e-mail address.

## EngineerZone

EngineerZone is a technical support forum from Analog Devices. It allows you direct access to ADI technical support engineers. You can search FAQs and technical information to get quick answers to your embedded processing and DSP design questions.

Use EngineerZone to connect with other DSP developers who face similar design challenges. You can also use this open forum to share knowledge and collaborate with the ADI support team and your peers. Visit <http://ez.analog.com> to sign up.

## Related Documents




For additional information about the product, refer to the following publications.

Table 1. Related Processor Publications

Title	Description
<i>ADSP-21477/ADSP-21478/ADSP-21479 SHARC Processor Data Sheet</i>	General functional description, pinout, and timing of the processor
<i>ADSP-214xx SHARC Processor Hardware Reference</i>	Description of the internal processor architecture, registers, and all peripheral functions
<i>SHARC Processor Programming Reference</i>	Description of all allowed processor assembly instructions

# Notation Conventions

Text conventions used in this manual are identified and described as follows.

Example	Description
Close command (File menu)	Titles in reference sections indicate the location of an item within the development environment's menu system (for example, the <b>Close</b> command appears on the <b>File</b> menu).
{this   that}	Alternative required items in syntax descriptions appear within curly brackets and separated by vertical bars; read the example as <i>this</i> or <i>that</i> . One or the other is required.
[this   that]	Optional items in syntax descriptions appear within brackets and separated by vertical bars; read the example as an optional <i>this</i> or <i>that</i> .
[this,...]	Optional item lists in syntax descriptions appear within brackets delimited by commas and terminated with an ellipse; read the example as an optional comma-separated list of <i>this</i> .
.SECTION	Commands, directives, keywords, and feature names are in text with letter gothic font.
<i>filename</i>	Non-keyword placeholders appear in text with italic style format.
	<b>Note:</b> For correct operation, ... A Note provides supplementary information on a related topic. In the online version of this book, the word <b>Note</b> appears instead of this symbol.
	<b>Caution:</b> Incorrect device operation may result if ... <b>Caution:</b> Device damage may result if ... A Caution identifies conditions or inappropriate usage of the product that could lead to undesirable results or product damage. In the online version of this book, the word <b>Caution</b> appears instead of this symbol.
	<b>Warning:</b> Injury to device users may result if ... A Warning identifies conditions or inappropriate usage of the product that could lead to conditions that are potentially hazardous for the devices users. In the online version of this book, the word <b>Warning</b> appears instead of this symbol.

# 1 USING THE ADSP-21479 EZ-BOARD

This chapter provides information to assist you with development of programs for the ADSP-21479 EZ-Board evaluation system.

The following topics are covered.

- “Package Contents” on page 1-2
- “Default Configuration” on page 1-3
- “CCES Install and Session Startup” on page 1-5
- “VisualDSP++ Install and Session Startup” on page 1-9
- “CCES Evaluation License” on page 1-11
- “VisualDSP++ Evaluation License” on page 1-12
- “Memory Map” on page 1-13
- “SDRAM Interface” on page 1-14
- “SRAM Interface” on page 1-15
- “Parallel Flash Memory Interface” on page 1-15
- “SPI Interface” on page 1-16
- “Watch Dog Timer Interface” on page 1-17
- “Real-Time Clock Interface” on page 1-17
- “Shift Register Interface” on page 1-18

## Package Contents

- “S/PDIF Interface” on page 1-20
- “Audio Interface” on page 1-20
- “UART Interface” on page 1-22
- “LEDs and Push Buttons” on page 1-23
- “JTAG Interface” on page 1-24
- “Expansion Interface II” on page 1-26
- “Power Measurements” on page 1-27
- “Power-On-Self Test” on page 1-27
- “Example Programs” on page 1-28
- “Board Design Database” on page 1-28

For information on the graphical user interface, including the boot loading, target options, and other facilities, refer to the online help.

For more information about the ADSP-21479 SHARC processor, see documents referred to as “[Related Documents](#)”.

## Package Contents

Your ADSP-21479 EZ-Board evaluation system package contains the following items.

- ADSP-21479 EZ-Board
- Universal 5.0V DC power supply
- 3.5 mm stereo headphones
- 6-foot RCA audio cable

- 6-foot 3.5 mm/RCA x 2 Y-cable
- 3.5 mm stereo female to RCA male Y-cable

If any item is missing, contact the vendor where you purchased your EZ-Board or contact Analog Devices, Inc.

## Default Configuration

The EZ-Board evaluation system contains ESD (electrostatic discharge) sensitive devices. Electrostatic charges readily accumulate on the human body and equipment and can discharge without detection. Permanent damage may occur on devices subjected to high-energy discharges. Proper ESD precautions are recommended to avoid performance degradation or loss of functionality. Store unused EZ-Boards in the protective shipping package.



The ADSP-21479 EZ-Board is designed to run outside your personal computer as a standalone unit. You do not have to open your computer case.

When removing the EZ-Board from the package, handle the board carefully to avoid the discharge of static electricity, which can damage some components. [Figure 1-1](#) shows the default jumper and switch settings, connector locations, and LEDs used in installation. Confirm that your board is in the default configuration before using the board.

# Default Configuration

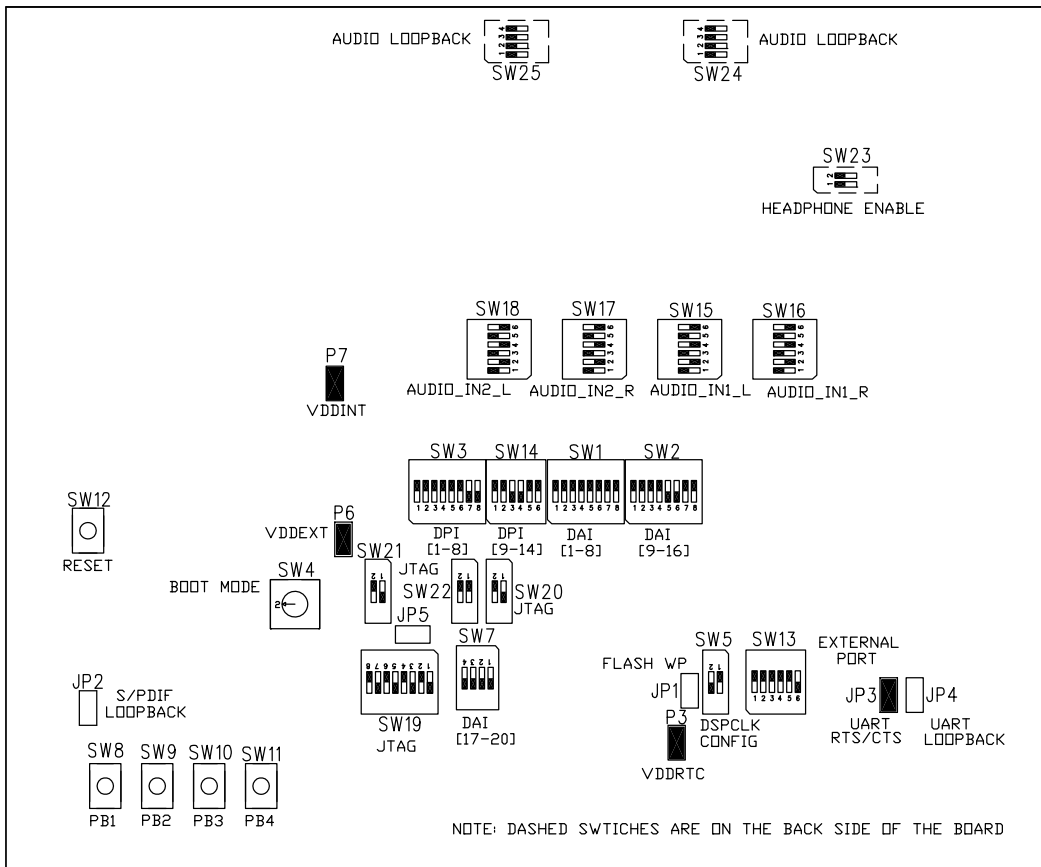


Figure 1-1. Default EZ-Board Hardware Setup



# CCES Install and Session Startup

For information about CCES and to download the software, go to [www.analog.com/CCES](http://www.analog.com/CCES). A link for the ADSP-21479 EZ-Board Support Package (BSP) for CCES can be found at <http://www.analog.com/SHARC/EZKits>.

Follow these instructions to ensure correct operation of the product software and hardware.

**Step 1:** Connect the EZ-Board to a personal computer (PC) running CCES using one of two options: an Analog Devices emulator or via the debug agent.

### Using an Emulator:

1. Plug one side of the USB cable into the USB connector of the emulator. Plug the other side into a USB port of the PC running CCES.
2. Attach the emulator to the header connector P1 (labeled JTAG) on the EZ-Board.

### Using the standalone Debug Agent:

1. Attach the standalone debug agent to connectors ZP1 and P1 of the EZ-Board.
2. Plug one side of the provided USB cable into the USB connector of the debug agent ZP1 (labeled USB). Plug the other side of the cable into a USB port of the PC running CCES.

## CCES Install and Session Startup

**Step 2:** Attach the provided cord and appropriate plug to the 5V power adaptor.

1. Plug the jack-end of the power adaptor into the power connector P5 (labeled 5V) on the EZ-Board.
2. Plug the other side of the power adaptor into a power outlet. The power LED (labeled LED9) is lit green when power is applied to the board.
3. Power the emulator (if used). Plug the jack-end of the assembled power adaptor into the emulator and plug the other side of the power adaptor into a power outlet. The enable/power indicator is lit green when power is applied.

**Step 3 (if connected through the debug agent):** Verify that the yellow USB monitor LED (labeled LED2) and the green power LED (labeled LED1) on the debug agent are both on. This signifies that the board is communicating properly with the host PC and ready to run CCES.

## Session Startup

It is assumed that the CrossCore Embedded Studio software is installed and running on your PC.



Note: If you connect the board or emulator first (before installing CCES) to the PC, the Windows driver wizard may not find the board drivers.

1. Navigate to the CCES environment via the **Start** menu.

Note that CCES is not connected to the target board.


2. Use the system configuration utility to connect to the EZ-Board.

If a debug configuration exists already, select the appropriate configuration and click **Apply and Debug** or **Debug**. Go to step 8.

To create a debug configuration, do one of the following:

- Click the down arrow next to the little bug icon, select **Debug Configurations**
- Choose **Run > Debug Configurations**.

The **Debug Configuration** dialog box appears.

3. Select **CrossCore Embedded Studio Application** and click  (New launch configuration).

The **Select Processor** page of the **Session Wizard** appears.

4. Ensure **Blackfin** is selected in **Processor family**. In **Processor type**, select **ADSP-21479**. Click **Next**.

The **Select Connection Type** page of the **Session Wizard** appears.

5. Select one of the following:
  - For standalone debug agent connections, **EZ-Board** and click **Next**.
  - For emulator connections, **Emulator** and click **Next**.

The **Select Platform** page of the **Session Wizard** appears.



## CCES Install and Session Startup


6. Do one of the following:
  - For standalone debug agent connections, ensure that the selected platform is **ADSP-21479 EZ-Board** via Debug Agent.
  - For emulator connections, choose the type of emulator that is connected to the board.
7. Click **Finish** to close the wizard.

The new debug configuration is created and added to the program(s) to load list.

8. In the **Program(s) to load** section, choose the program to load when connecting to the board. If not loading any program upon connection to the target, do not make any changes.

Note that while connected to the target, there is no way to choose a program to download. To load a program once connected, terminate the session.

 To delete a configuration, go to the **Debug Configurations** dialog box and select the configuration to delete. Click  and choose **Yes** when asked if you wish to delete the selected launch configuration. Then **Close** the dialog box.

 To disconnect from the target board, click the terminate button (red box) or choose **Run > Terminate**.

To delete a session, choose **Target > Session > Session List**. Select the session name from the list and click **Delete**. Click **OK**.

## VisualDSP++ Install and Session Startup

For information about VisualDSP++ and to download the software, go to [www.analog.com/VisualDSP](http://www.analog.com/VisualDSP).

There are two options to connect the EZ-Board hardware to a personal computer (PC) running VisualDSP++: via an Analog Devices emulator or via a standalone debug agent module. The standalone debug agent allows a debug agent to interface to the ADSP-21479 EZ-Board. The standalone debug agent is shipped with the kit.

### To connect the EZ-Board to a PC via an emulator:

1. Plug the 5V adaptor into connector P5 (labeled 5.0V).
2. Attach the emulator header to connector P1 (labeled JTAG) on the back side of the EZ-Board.

### To connect the EZ-Board to a PC via a standalone debug agent:



The debug agent can be used only when power is supplied from the wall adaptor.

1. Attach the standalone debug agent to connectors P1 (labeled JTAG) and ZP1 on the backside of the EZ-Board, watching for the keying pin of P1 to connect correctly.
2. Plug the 5V adaptor into connector P5 (labeled 5.0V).
3. Plug one side of the provided USB cable into a USB connector of the standalone debug agent. Plug the other side of the cable into a USB port of the PC running VisualDSP++.
4. Verify that the yellow USB monitor LED on the standalone debug agent (LED4, located on the back side of the board) is lit. This signifies that the board is communicating properly with the host PC and ready to run VisualDSP++.

## Session Startup

1. If you are running VisualDSP++ for the first time, navigate to the VisualDSP++ environment via the **Start > Programs** menu. The main window appears. Note that VisualDSP++ is not connected to any session. Skip the rest of this step to step 2.

If you have run VisualDSP++ previously, the last opened session appears on the screen. You can override the default behavior and force VisualDSP++ to start a new session by pressing and holding down the **Ctrl** key while starting VisualDSP++. Do not release the **Ctrl** key until the **Session Wizard** appears on the screen. Go to step 3.

2. To connect to a new EZ-Board session, start **Session Wizard** by selecting one of the following.
  - From the **Session** menu, **New Session**.
  - From the **Session** menu, **Session List**. Then click **New Session** from the **Session List** dialog box.
  - From the **Session** menu, **Connect to Target**.
3. The **Select Processor** page of the wizard appears on the screen. Ensure **SHARC** is selected in **Processor family**. In **Choose a target processor**, select **ADSP-21479**. Click **Next**.
4. The **Select Connection Type** page of the wizard appears on the screen. For standalone debug agent connections, select **EZ-Board** and click **Next**. For emulator connections, select **Emulator** and click **Next**.
5. The **Select Platform** page of the wizard appears on the screen. For standalone debug agent connections, ensure that the selected platform is **ADSP-21479 EZ-Board via Debug Agent**. For emulator connections, choose the type of emulator that is connected.

Specify your own **Session name** for the session or accept the default name.

The session name can be a string of any length; although, the box displays approximately 32 characters. The session name can include space characters. If you do not specify a session name, VisualDSP++ creates a session name by combining the name of the selected platform with the selected processor. The only way to change a session name later is to delete the session and open a new session.

Click **Next**.

6. The **Finish** page of the wizard appears on the screen. The page displays your selections. Check the selections. If you are not satisfied, click **Back** to make changes; otherwise, click **Finish**. VisualDSP++ creates the new session and connects to the EZ-Board. Once connected, the main window's title is changed to include the session name set in step 5.



To disconnect from a session, click the disconnect button or select **Session > Disconnect from Target**.



To delete a session, select **Session > Session List**. Select the session name from the list and click **Delete**. Click **OK**.

## CCES Evaluation License

The ADSP-21479 EZ-Board software is part of the Board Support Package (BSP) for the SHARC ADSP-2147x family. The EZ-Board is a licensed product that offers an unrestricted evaluation license for 90 days after activation. Once the evaluation period ends, the evaluation license becomes permanently disabled. If the evaluation license is installed but

## VisualDSP++ Evaluation License

not activated, it allows 10 days of unrestricted use and then becomes disabled. The license can be re-enabled by activation.

An evaluation license can be upgraded to a full license. Licenses can be purchased from:

- Analog Devices directly. Call (800) 262-5645 or 781-937-2384 or go to:  
[http://www.analog.com/en/content/buy\\_online/fca.html](http://www.analog.com/en/content/buy_online/fca.html).
- Analog Devices, Inc. local sales office or authorized distributor. To locate one, go to:  
<http://www.analog.com/salesdir/continent.asp>.



The EZ-Board hardware must be connected and powered up to use CCES with a valid evaluation or full license.

## VisualDSP++ Evaluation License

The ADSP-21479 EZ-Board installation is part of the VisualDSP++ . The EZ-Board is a licensed product that offers an unrestricted evaluation license for the first 90 days. Once the initial unrestricted 90-day evaluation license expires:

- VisualDSP++ restricts a connection to the ADSP-21479 EZ-Board via the USB port of the standalone debug agent interface only. Connections to simulators and emulation products are no longer allowed.
- The linker restricts a user program to 27306 PM words for code space with no restrictions for data space.
- The EZ-Board hardware must be connected and powered up to use VisualDSP++ with a valid evaluation or permanent license.



## Memory Map

The ADSP-21479 processor has internal static random access memory (SRAM) for instructions and data storage. See [Table 1-1](#). The internal memory details can be found in the *ADSP-214xx SHARC Processor Hardware Reference*.

The ADSP-21479 EZ-Board includes four types of external memory: SRAM, synchronous dynamic random access memory (SDRAM), serial peripheral interconnect (SPI) flash, and parallel flash. See [Table 1-2](#). For more information about a specific memory type, go to the respective section in this chapter.

Table 1-1. EZ-Board Internal (Core-Accessible) Memory Map

Start Address	End Address	Contents
0x0000 0000	0x0003 FFFF	IOP Registers
0x0004 0000	0x0004 7FFF	Block 0 ROM (Reserved)
0x0004 8000	0x0004 8FFF	Reserved
0x0004 9000	0x0004 EFFF	Block 0 SRAM
0x0004 F000	0x0004 FFFF	Reserved
0x0005 0000	0x0005 7FFF	Block 1 ROM (Reserved)
0x0005 8000	0x0005 8FFF	Reserved
0x0005 9000	0x0005 EFFF	Block 1 SRAM
0x0005 F000	0x0005 FFFF	Reserved
0x0006 0000	0x0006 3FFF	Block 2 SRAM
0x0006 4000	0x0006 FFFF	Reserved
0x0007 0000	0x0007 3FFF	Block 3 SRAM
0x0007 4000	0x0007 FFFF	Reserved

## SDRAM Interface

Table 1-2. EZ-Board External (Interface-Accessible) Memory Map

Start Address	End Address	Content
0x0020 0000	0x009F FFFF	SDRAM ( $\overline{MS0}$ )
0x0400 0000	0x043F FFFF	Flash memory ( $\overline{MS1}$ )
0x0800 0000 0x0C00 0000	0x08FF FFFF 0x0BFF FFFF	Unused chip select ( $\overline{MS2}$ ) for non-SDRAM addresses Unused chip select ( $\overline{MS2}$ ) for SDRAM addresses
0x0C00 0000 0x0C00 0000	0x0C0F FFFF 0x0C07 FFFF	SRAM ( $\overline{MS3}$ ) for 16-bit address space SRAM ( $\overline{MS3}$ ) for 32-bit address space

## SDRAM Interface

The ADSP-21479 processor connects to a 32 MB Micron MT48LC16M16A2P-6A chip through the SDRAM controller. The SDRAM memory controller on the processor and SDRAM memory chip are powered by the on-board 3.3V regulator. The SDRAM controller and memory on the EZ-Board can operate at a maximum clock frequency of 133 MHz.

With a CCES or VisualDSP++ session running and connected to the EZ-Board via the USB standalone debug agent, the SDRAM registers are configured automatically each time the processor is reset. The values are used whenever SDRAM is accessed through the debugger (for example, when viewing memory windows or loading a program).

To disable the automatic setting of the SDRAM registers, do one of the following:

- CCES users, choose **Target > Settings > Target Options** and clear the **Use XML reset values** check box.
- VisualDSP++ users, choose **Settings > Target Options** and clear the **Use XML reset values** check box.

For more information on changing the reset values, refer to the online help.

An example program is included in the EZ-Board installation directory to demonstrate how to setup and access the SDRAM interface.

For more information on how to initialize the registers after a reset, search the online help for “reset values”.

## SRAM Interface

The board has a 1M x 16-bit flash memory connected to the processor’s asynchronous memory interface (AMI). The SRAM can be accessed via the asynchronous memory select 3 pin. It allows access to 16 bits of data and interfaces to address line 0 through 19 of the processor.

An example program is included in the EZ-Board installation directory to demonstrate how to setup and access the SRAM interface. For more information on how to initialize the registers after a reset, search the online help for “reset values”.

## Parallel Flash Memory Interface

The parallel flash memory interface of the ADSP-21479 EZ-Board contains a 4 MB (4M x 8 bits) Numonyx M29W320EB chip. Flash memory is connected to the 8-bit data bus and address lines 0 through 21. Chip enable is decoded by the MS1 select line (default) through switch SW13 position 2. See [“External Port Enable Switch \(SW13\)” on page 2-12](#). The address range for flash memory is 0x0400 0000 to 0x043F FFFF.

Flash memory is pre-loaded with boot code for the power-on-self test (POST) program. For more information, refer to [“Power-On-Self Test” on page 1-27](#).

## SPI Interface

By default, the EZ-Board boots from the 8-bit parallel flash memory. The processor boots from flash memory if the boot mode select switch (SW4) is set to position 2; see “[Boot Mode Select Switch \(SW4\)](#)” on page 2-10.

Flash memory code can be modified. For instructions, refer to the online help and example program included in the EZ-Board installation directory.

For more information about the parallel flash device, refer to the Numonyx Web site: <http://www.numonyx.com>.

## SPI Interface

The ADSP-21479 processor has two SPI ports, which can be accessed via the digital peripheral interface (DPI) pins.

The SPI flash memory, a 16 Mb ST M25P16 device, connects to the SPI port of the processor and designates:

- DPI pin 5 (DPI\_P5) as a chip select
- DPI pin 3 (DPI\_P3) as the SPI clock
- DPI pin 1 (DPI\_P1) as the master out slave in (MOSI) pin
- DPI pin 2 (DPI\_P2) as the master in slave out (MISO) pin

The same SPI port and DPI pins are connected to the serial flash memory and audio codec via switch SW3. See “[DPI \[1–8\] Enable Switch \(SW3\)](#)” on page 2-9. The DPI pins also are available on the expansion interface II.

By default, the EZ-Board boots from the 8-bit flash parallel memory. SPI flash can be selected as the boot source by setting the boot mode select switch (SW4) to position 1. See “[Boot Mode Select Switch \(SW4\)](#)” on page 2-10.

The audio codec is set up to use DPI pin 4 as the SPI chip select. For more information, refer to [“Audio Interface” on page 1-20](#).

## Watch Dog Timer Interface

The ADSP-21479 processor includes a 32-bit watch dog timer (WDT) that can be used to implement a software watch dog function. A software watch dog can improve system reliability by forcing the processor to a known state through generation of a system reset if the timer expires before being reloaded by software. Software initializes the count value of the timer and then enables the timer.

The watch dog timer resets both the core and internal peripherals. After an external reset, the WDT must be disabled by default. Software must be able to determine if the watch dog has been the source of the hardware reset by interrogating a status bit in the watch dog timer control register.

By default, the watch timer interface is turned off. In order to use the feature, a user needs to turn switch SW13 position 8 ON. SW13 connects the watch dog reset out pin to the ADM708 system reset circuit. See [“External Port Enable Switch \(SW13\)” on page 2-12](#). Special attention must be paid to this function because it can cause the processor and EZ-Board to remain in a permanent reset.

Example programs are included in the EZ-Board installation directory to demonstrate watch dog timer functionality.

## Real-Time Clock Interface

The real-time clock (RTC) of the ADSP-21479 processor provides a robust set of digital watch features, including current time, stopwatch, and alarm. The RTC is clocked by a 32.768 kHz crystal external to the processor. The RTC peripheral has dedicated power supply pins so that it can remain powered up and clocked even when the rest of the processor is in a

## Shift Register Interface

low power state. The RTC provides several programmable interrupt options, including interrupt per second, minute, hour, or day clock ticks, interrupt on programmable stopwatch countdown, or interrupt at a programmed alarm time. An `RTCLKOUT` signal that operates at 1 Hz is also provided for calibration.

The 32.768 kHz input clock frequency is divided down to a 1 Hz signal by a prescaler. The counter function of the timer consists of four counters: a 60-second counter, a 60-minute counter, a 24-hour counter, and an 32,768-day counter. When the alarm interrupt is enabled, the alarm function generates an interrupt when the output of the timer matches the programmed value in the alarm control register. There are two alarms: The first alarm is for a time of day. The second alarm is for a day and time of that day.

The stopwatch function counts down from a programmed value, with one-second resolution. When the stopwatch interrupt is enabled and the counter underflows, an interrupt is generated.

Example programs are included in the EZ-Board installation directory to demonstrate RTC functionality.

## Shift Register Interface

The shift register (SR) of the ADSP-21479 processor can be used as a serial to parallel data converter. The shift register module consists of an 18-stage serial shift register, 18-bit latch, and three-state output buffers. The shift register and latch have separate clocks. Data is shifted into the serial shift register on the positive-going transitions of the shift register serial clock (`SR_SCLK`) input. The data in each flip-flop is transferred to the respective latch on a positive-going transition of the shift register latch clock (`SR_LAT`) input.

The shift register's signals can be configured as follows.

- The SR\_SCLK can come from any of the SPORT0-7 SCLK outputs, PCGA/B clock, any of the DAI pins (1-8), and one dedicated pin (SR\_SCLK).
- The SR\_LAT can come from any of SPORT0-7 frame sync outputs, PCGA/B frame sync, any of the DAI pins (1-8), and one dedicated pin (SR\_LAT).
- The SR\_SDI input can come from any of SPORT0-7 serial data outputs, any of the DAI pins (1-8), and one dedicated pin (SR\_SDI).

Note that the SR\_SCLK, SR\_LAT, and SR\_SDI inputs must come from the same source, except in case of where SR\_SCLK comes from PCGA/B or SR\_SCLK and SR\_LAT come from PCGA/B.

If SR\_SCLK comes from PCGA/B, then SPORT0-7 generate SR\_LAT and SR\_SDI signals. If SR\_SCLK and SR\_LAT come from PCGA/B, then SPORT0-7 generate SR\_SDI signal.

Access to the shift register of the processor is available via the shift register interface connector (P4). Users can use a standard 2 mm ribbon cable if they require off-board capabilities. For more information, see [“Shift Register Interface Connector \(P4\)”](#) on page 2-27.

# S/PDIF Interface

The ADSP-21479 processor has a built-in S/PDIF transmitter and receiver for digital audio applications. The EZ-Board supports the S/PDIF interface and brings out both the transmitter and receiver via RCA connectors J6 and J7, respectively. The S/PDIF's in and out pins are connected by DAI pins via switches SW1 and SW7:

- DAI pin 1 (DAI\_P1) as SPDIF\_OUT
- DAI pin 18 (DPI\_P18) as SPDIF\_IN

SW1 and SW7 can be turned OFF to disconnect the DAI pins from the RCA connectors if the pins are used on the expansion II interface. See [“DAI \[1–8\] Enable Switch \(SW1\)” on page 2-8](#) and [“DAI \[17–20\] Enable Switch \(SW7\)” on page 2-11](#) for more information.

# Audio Interface

The AD1939 device is a high-performance, single-chip codec featuring eight digital-to-analog converters (DACs) for audio output and four analog-to-digital converters (ADCs) for audio input. This translates to four stereo channels of audio out and two stereo channels of audio in. The codec can input and output data at a sample rate of up to 192 kHz on all channels.

The analog audio channels are available via single-ended RCA connectors (J4 and J5) or differential DB25 connectors (P8 and P9). By default, the EZ-Board is shipped with the RCA connectors used by the AD1939 codec for audio in and out. To use the differential connectors, change DIP switches SW15–18. A standard, off the shelf DB25 connector to XLR cables is required to operate in this mode.



For more information, see “Audio In1 Left Selection Switch (SW15)” on page 2-14 through “Audio In2 Left Selection Switch (SW18)” on page 2-16, and “ADSP-21479 EZ-Board Schematic” on page B-1.

The processor interfaces with the codec via DAI and DPI pins. The DAI pins can be configured to transfer serial data from the codec in Time-Division Multiplexing (TDM) or Integrated Interchip Sound (I<sup>2</sup>S) mode. See “DAI Interface” on page 2-3 for more information about the AD1939 connection to the DAI. The DPI interface pins can be configured to use the SPI interface of the processor to set up the codec’s control registers. See “DPI Interface” on page 2-4 for more information about the AD1939 connection to the DPI.

The master input clock (MCLK) of the codec is generated by the on-board 12.288 MHz oscillator. The internal PLL of the codec is used to generate varying sample rates. The codec can be set up for 48 KHz, 96 KHz, or 192 KHz frequencies. The codec can run at these frequencies in both TDM and I<sup>2</sup>S modes with all ADCs inputs and DACs outputs. To run 192 KHz with all ADCs and DACs in TDM mode, the codec must run in dual-line TDM mode.

For information on how to configure the multi-channel codec, refer to the product datasheet at [www.analog.com/AD1939](http://www.analog.com/AD1939).

The EZ-Board is connected to the AD1939 codec in master mode. The internal PLL drives the ABCLK and ALRCLK clock signals out. Both clocks are driven back to the codec’s DBCLK and DLRCLK pins via the R257 and R258 resistors. The ABCLK and ALRCLK clocks that are driven by the codec also connect to the processor’s serial ports via the DAI pins. Resistors R262 and R263 are used to feed the bit clock and frame sync signals of the processor’s serial ports. Connecting the codec in this manner enables a flexible audio sample rate and allows the processor to run at the maximum core frequency.

The audio interface also has a 3.5 mm connector (J8) for headphones. The headphones share the output with the external DAC5 and DAC6 circuits of

## UART Interface

the analog audio interface. Switch SW23 must be enabled for the headphones. A volume control potentiometer (R493) is used to increase or decrease the headphone's volume. [For more information, see “Headphone Enable Switch \(SW23\)” on page 2-18.](#)

Example programs are included in the EZ-Board installation directory to demonstrate how to configure and use the board's analog audio interface.

The DAI and DPI pins going to the AD1939 device can be disabled, then used again on the expansion II interface. Refer to [“DAI Interface” on page 2-3](#) and [“DPI Interface” on page 2-4](#) for more information about the DAI and DPI switches.

## UART Interface

The ADSP-21479 processor features a built-in universal asynchronous receiver and transmitter (UART). The UART interface supports full RS-232 functionality via the Analog Devices 3.3V ADM3202 line driver and receiver (U8). The UART signals are available on the EZ-Board via a DIP switch (SW14). The UART signals routed through the DIP switch can be disconnected from the respective DPI interface and used on the expansion II interface. The following DPI pins are used for the RS-232 interface.

- DPI pin 9 (DPI\_P9) as UART\_TX
- DPI pin 10 (DPI\_P10) as UART\_RX
- DPI pin 11 (DPI\_P11) as UART\_RTS
- DPI pin 12 (DPI\_P12) as UART\_CTS

Example programs are included in the EZ-Board installation directory to demonstrate UART and RS-232 operations.

For more information about the UART interface, refer to the *ADSP-214xx SHARC Processor Hardware Reference*.

## LEDs and Push Buttons

The EZ-Board has eight general-purpose user LEDs connected directly to the processor, one EZ-Board power LED, and one board reset LED. The EZ-board also has five push buttons: four general-purpose push buttons connected directly to the processor and one push button for a board reset.

[Table 1-3](#) summarizes LED connections to the processor. To use the LEDs connected to DAI or DPI, configure the respective registers of the processor. For more information, refer to the *ADSP-214xx SHARC Processor Hardware Reference*.

Table 1-3. LED Connections

LED Reference Designator	Processor Pin	Connected via Switch
LED1	DPI_P6	SW3.6
LED2	DPI_P13	SW14.5
LED3	DPI_P14	SW14.6
LED4	DAI_P3	SW1.3
LED5	DAI_P4	SW1.4
LED6	DAI_P15	SW2.7
LED7	DAI_P16	SW2.8
LED8	DAI_P17	SW7.1

Two general-purpose push buttons are attached to the flag pins of the processor, while the other two are attached to the DAI pins. All of the push buttons and LEDs are connected to the processor through DIP switches.

## JTAG Interface

The DIP switches can disconnect the processor pins, which in turn are connected to the push buttons and LEDs. See the respective switch section in [“ADSP-21479 EZ-Board Hardware Reference” on page 2-1](#).

The state of the push buttons connected to the flag pins can be determined by reading the `FLAG` register. The push buttons connected to the DAI pins must be configured as interrupts. It is necessary to set up an interrupt routine to determine each pin’s state. [Table 1-3](#) shows the push button and processor connections.

Table 1-4. Push Button Connections

PB Reference Designator	Processor Pin	Connected via Switch
SW8 (PB1)	FLAG1/IRQ1	SW13.4
SW9 (PB2)	FLAG2/IRQ2/MS2	SW13.5
SW10 (PB3)	DAI_P19	SW7.3
SW11 (PB4)	DAI_P20	SW7.4

An example program is included in the ADSP-21479 installation directory to demonstrate functionality of the LEDs and push buttons.

## JTAG Interface

The JTAG connector (P1) allows the standalone debug agent module to connect a debug session to the ADSP-21479 processor. The debug agent operates only when the external 5V wall adaptor (P5) is used.

The standalone debug agent can be replaced by an external emulator, such as the Analog Devices high-performance USB-based emulator. Be careful not to damage the connectors when removing the debug agent. The emulator is connected to P1 on the back side of the board. See [“CCES Install and Session Startup” on page 1-5](#) or [“VisualDSP++ Install and Session Startup” on page 1-9](#) for more information.

The ADSP-21479 EZ-Board can be set up as a single- or multi-processor system. By default, the board is set up in single-processor mode. In single-processor mode, create a session based on a standalone debug agent or an external emulator. To use the EZ-Board in multi-processor mode, install an external emulator. Only one external emulator is required for the main EZ-Board; other EZ-Boards in the JTAG chain do not require an emulator. In this mode, create a platform based on the number of JTAG devices in the JTAG chain using the VisualDSP++ Configurator. Then create a session in VisualDSP++ based on the newly created platform. For multiprocessor mode under CCES, create a platform based on the number of JTAG devices in the JTAG chain using the Target Configurator. Then create a Debug Configuration in CCES based on the newly created platform.

For a dual ADSP-21479 EZ-Board session, connect two EZ-Boards via connectors J3 and P10. Flip one of the two EZ-Boards by 180 degrees to allow the boards to mate. To switch between single- and multi-processor modes, use DIP switches SW19–22. [For more information, see “JTAG Switches \(SW19–22\)” on page 2-16.](#)

For three or more ADSP-21479 EZ-Board sessions, connect each of the EZ-Board with JTAG cables. The cables connect JTAG pins of each EZ-Board. By using the cables, you put the EZ-Board in a JTAG serial chain. For three EZ-Boards, three JTAG cables are required. Similarly, for four EZ-Boards, four JTAG cables are required. Note that each respective EZ-board also requires its own power supply.

Part numbers for Samtec standard, off the shelf link port cables can be found in [“MP JTAG Out Connector \(P10\)” on page 2-29.](#)

For more information about emulators, contact Analog Devices or go to <http://www.analog.com/processors/tools/sharc>.

# Expansion Interface II

The expansion interface II allows an Analog Devices EZ-Extender<sup>®</sup> or a custom-design daughter board to be tested across various hardware platforms with identical expansion interfaces.

The expansion interface II implemented on the ADSP-21479 EZ-Board consists of two connectors: a 0.1 in. shrouded header (P2) and a Samtec QMS series header (J1). The connectors contain a majority of the ADSP-21479 processor's signals.

For pinout information, go to “[ADSP-21479 EZ-Board Schematic](#)” on [page B-1](#). The mechanical dimensions of the expansion connectors can be obtained by contacting [Technical Support](#).

For more information about daughter boards, visit the Analog Devices Web site at <http://www.analog.com/processors/tools/sharc>.

Limits to current and interface speed must be taken into consideration when using the expansion interface II. Current for the expansion interface II is sourced from the EZ-Board; therefore, the current should be limited to 1A for 5V and 500 mA for the 3.3V planes. If more current is required, then a separate power connector and a regulator must be designed on a daughter card. Additional circuitry can add extra loading to signals, decreasing their maximum effective speed.



Analog Devices does not support and is not responsible for the effects of additional circuitry.

## Power Measurements

Several locations are provided for measuring the current draw from various power planes. Precision 0.05 ohm shunt resistors are available on the VDDRTC, VDDEXT, and VDDINT voltage domains. The associated jumper on connectors P3, P6, or P7 must be removed to measure current draw. Once the jumper is removed, voltage across the resistor can be measured using an oscilloscope. Once voltage is measured, current can be calculated by dividing voltage by 0.05. For the highest accuracy, a differential probe should be used for measuring voltage across the resistor.

For more information, see [“VDDRTC Power Connector \(P3\)” on page 2-27](#), [“VDDEXT Power Connector \(P6\)” on page 2-28](#), and [“VDDINT Power Connector \(P7\)” on page 2-28](#).

## Power-On-Self Test

The power-on-self-test program (POST) tests all EZ-Board peripherals and validates functionality as well as connectivity to the processor. Once assembled, each EZ-Board is fully tested for an extended period of time with a POST. All EZ-Boards are shipped with the POST preloaded into one of their on-board flash memories. The POST is executed by resetting the board and pressing the proper push button(s). The POST also can be used for reference in custom software designs or hardware troubleshooting. Note that the source code for the POST program is included in the installation directory along with the readme file, which describes how the EZ-board is configured to run a POST.



The POST program is only available when using VisualDSP++.

# Example Programs

Example programs are provided with the ADSP-21479 EZ-KIT Lite to demonstrate various capabilities of the product. The programs are included in the product installation kit and can be found in the `Examples` folder of the installation. Refer to a readme file provided with each example for more information.

CCES users are encouraged to use the example browser to find examples included with the EZ-KIT Lite Board Support Package.

## Board Design Database

A `.zip` file containing all of the electronic information required for the design, layout, fabrication and assembly of the product is available for download from the Analog Devices board design database at:  
<http://www.analog.com/sharc-board-design-database>.



# 2 ADSP-21479 EZ-BOARD HARDWARE REFERENCE

This chapter describes the hardware design of the ADSP-21479 EZ-Board.

The following topics are covered.

- [“System Architecture” on page 2-2](#)  
Describes the board’s configuration and explains how the board components interface with the processor.
- [“Flags and Memory Selects” on page 2-5](#)  
Shows the locations and describes the DAI pins, DPI pins, general purpose flags, and asynchronous memory select lines.
- [“Push Buttons and Switches” on page 2-7](#)  
Shows the locations and describes the push buttons and switches.
- [“Jumpers” on page 2-19](#)  
Shows the locations and describes the configuration jumpers.
- [“LEDs” on page 2-21](#)  
Shows the locations and describes the LEDs.
- [“Connectors” on page 2-23](#)  
Shows the locations and provides part numbers for the on-board connectors. In addition, the manufacturer and part number information is provided for the mating parts.

## System Architecture

This section describes the processor's configuration on the EZ-Board (Figure 2-1).

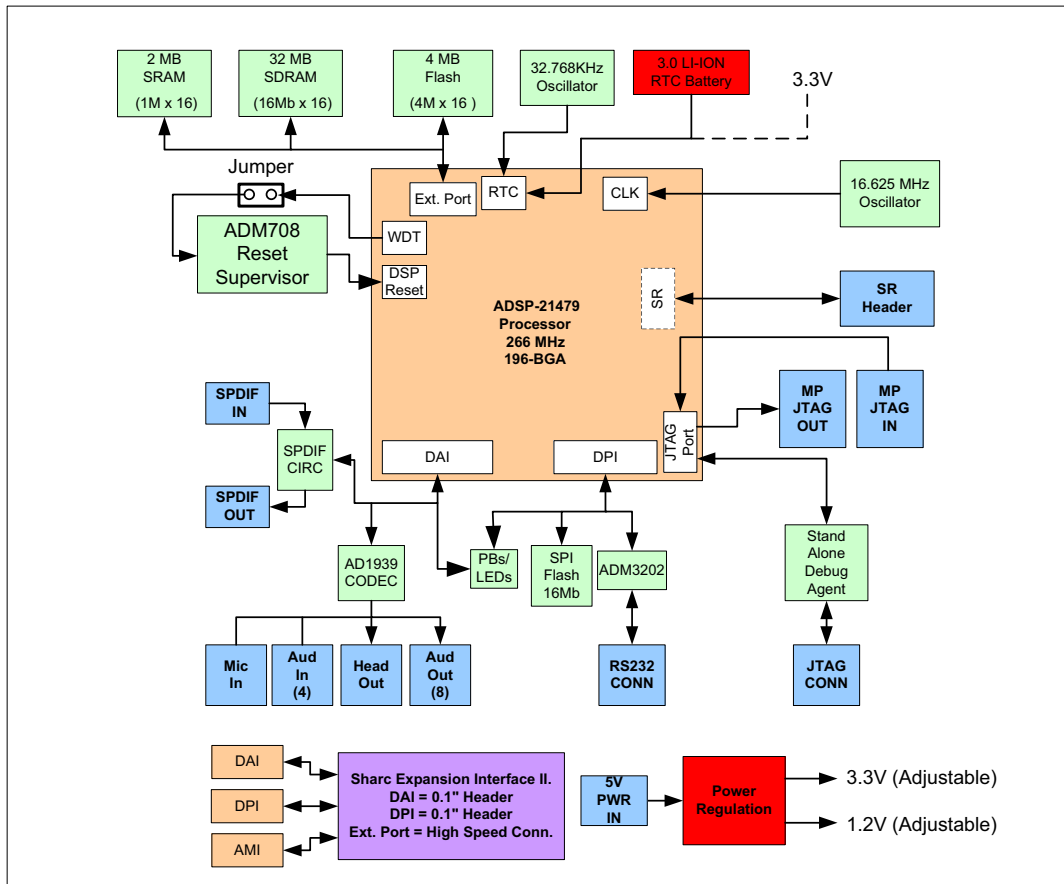


Figure 2-1. EZ-Board Block Diagram

The EZ-Board is designed to demonstrate the ADSP-21479 SHARC processor capabilities. The processor runs at 266 MHz and has an I/O voltage of 3.3V. The core voltage of the processor is 1.2V.

The input clock is 16.625 MHz. The default boot mode of the processor is external parallel flash boot. See “[Boot Mode Select Switch \(SW4\)](#)” on [page 2-10](#) for information on how to change the default boot mode.

## DAI Interface

The digital application interface (DAI) pins are connected to the signal routing unit (SRU) of the processor. The SRU is a flexible routing system providing a large system of signal flows within the processor. The SRU allows you to route the DAI pins to different internal peripherals in various combinations.

The DAI connects various peripherals on the EZ-Board. [Table 2-1](#) shows the DAI pin names, associated peripheral and net names, switch designators through which the pins are connected to the peripherals, and default switch settings.

Table 2-1. DAI Connections

DAI Pin	Peripheral	Peripheral Net	Connected via Switch	Switch Setting (Default)
DAI_P1	S/PDIF	SPDIF_OUT	SW1.1	ON
DAI_P2	AD1939	SOFT_RESET	SW1.2	ON
DAI_P3	LEDs	LED4	SW1.3	ON
DAI_P4	LEDs	LED5	SW1.4	ON
DAI_P5	AD1939	ASDATA1	SW1.5	ON
DAI_P6	AD1939	ASDATA2	SW1.6	ON
DAI_P7	AD1939	ABCLK	SW1.7	ON
DAI_P8	AD1939	ALRCLK	SW1.8	ON
DAI_P9	AD1939	DSDATA4	SW2.1	ON
DAI_P10	AD1939	DSDATA3	SW2.2	ON
DAI_P11	AD1939	DSDATA2	SW2.3	ON
DAI_P12	AD1939	DSDATA1	SW2.4	ON

## System Architecture

Table 2-1. DAI Connections (Cont'd)

DAI Pin	Peripheral	Peripheral Net	Connected via Switch	Switch Setting (Default)
DAI_P13	AD1939	DBCLK	SW2.5	OFF
DAI_P14	AD1939	DLRCLK	SW2.6	OFF
DAI_P15	LEDs	LED6	SW2.7	ON
DAI_P16	LEDs	LED7	SW2.8	ON
DAI_P17	LEDs	LED8	SW7.1	ON
DAI_P18	S/PDIF	SPDIF_IN	SW7.2	ON
DAI_P19	Push buttons	PB3	SW7.3	ON
DAI_P20	Push buttons	PB4	SW7.4	ON

To use the DAI on the expansion II interface, disable any signal driving a DAI pin with the associated switch. The pinout of the expansion connectors can be found in [“ADSP-21479 EZ-Board Schematic”](#) on page B-1.

## DPI Interface

The digital peripheral interface (DPI) pins are connected to a second signal routing unit of the processor (SRU2). The SRU2 unit, similar to the SRU, is a flexible routing system providing a large system of signal flows within the processor. The SRU2 allows you to route the DPI pins to different internal peripherals in various combinations.

The DPI connects various peripherals on the EZ-Board. [Table 2-2](#) shows the DPI pin names, associated peripheral and net names, switch designators through which the pins are connected to the peripherals, and default switch settings.

Table 2-2. DPI Connections

DPI Pin	Peripheral	Peripheral Net	Connected via Switch	Switch Setting (Default)
DPI_P1	SPI memory/ AD1939	SPI_MOSI	SW3.1	ON
DPI_P2	SPI memory/ AD1939	SPI_MISO	SW3.2	ON
DPI_P3	SPI memory/ AD1939	SPI_CLK	SW3.3	ON
DPI_P4	AD1939	AD1939_CS	SW3.4	ON
DPI_P5	SPI memory	SPI_CS	SW3.5	ON
DPI_P6	LEDs	LED1	SW3.6	ON
DPI_P7	Internal testing	Not used	SW3.7	OFF
DPI_P8	Not used	Not used	SW3.8	OFF
DPI_P9	UART	UART_TX	SW14.1	ON
DPI_P10	UART	UART_RX	SW14.2	ON
DPI_P11	UART	UART_RTS	SW14.3	OFF
DPI_P12	UART	UART_CTS	SW14.4	OFF
DPI_P13	UART	LED2	SW14.5	ON
DPI_P14	UART	LED3	SW14.6	ON

To use the DPI on the expansion II interface, disable any signal driving a DPI pin with the associated switch. The pinout of the expansion connectors can be found in [“ADSP-21479 EZ-Board Schematic”](#) on page B-1.

## Flags and Memory Selects

The processor has four asynchronous memory selects, four flag pins, three interrupt request pins, and one timer expired pin. All flag/memory pins are multi-functional and depend on the ADSP-21479 processor setup.

[Table 2-3](#) shows the pin names, corresponding peripheral and net names,

## Flags and Memory Selects

switch designators through which the pins are connected to the peripherals, and default switch settings.

To use the flags or memory selects on the expansion II interface, disable any signal driving a flag or memory pin with the associated switch. The pinout of the expansion connectors can be found in [“ADSP-21479 EZ-Board Schematic”](#) on page B-1.

Table 2-3. Flags and Memory Select Connections

Flag/Memory Pin	Peripheral	Peripheral Net	Connected via Switch	Switch Setting (Default)
MS0	SDRAM	SDRAM_CS	SW13.1	ON
MS1	Parallel flash memory	FLASH_CS	SW13.2	ON
FLAG1/IRQ1	Push buttons	PB1	SW13.3	ON
FLAG2/IRQ2/MS2	Push buttons	PB2	SW13.4	ON
FLAG3/MS3	SRAM	SRAM_CS	SW13.5	ON
WDRSTO_Z	Reset Supervisory IC	WDRSTO	SW13.6	OFF

## Push Buttons and Switches

This section describes operation of the push buttons and switches. The push button and switch locations are shown in [Figure 2-2](#).

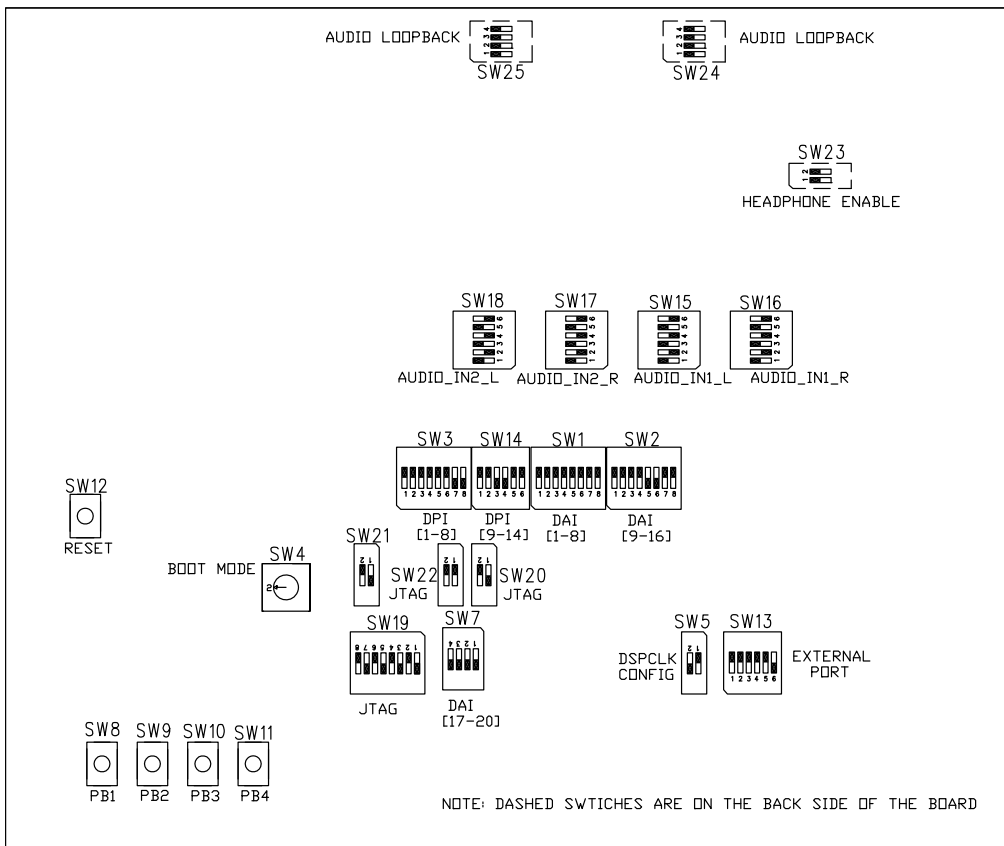


Figure 2-2. Push Button and Switch Locations

### DAI [1–8] Enable Switch (SW1)

The DAI [1–8] enable switch (SW1) disconnects DAI pins one through eight on the processor from the associated peripherals on the EZ-Board and allows the DAI signals to be used on the expansion II interface. See [Table 2-4](#).

Table 2-4. DAI [1–8] Enable Switch (SW1)

SW1 Position	DAI Pin	Peripheral	Peripheral Net	Switch Setting (Default)
SW1.1	DAI_P1	S/PDIF	SPDIF_OUT	ON
SW1.2	DAI_P2	AD1939	AD1939_SOFT_RESET	ON
SW1.3	DAI_P3	LEDs	LED4	ON
SW1.4	DAI_P4	LEDs	LED5	ON
SW1.5	DAI_P5	AD1939	ASDATA1	ON
SW1.6	DAI_P6	AD1939	ASDATA2	ON
SW1.7	DAI_P7	AD1939	ABCLK	ON
SW1.8	DAI_P8	AD1939	ALRCLK	ON

### DAI [9–16] Enable Switch (SW2)

The DAI [9–16] enable switch (SW2) disconnects DAI pins nine through 16 on the processor from the associated peripherals on the EZ-Board and allows the DAI signals to be used on the expansion II interface. See [Table 2-5](#).

Table 2-5. DAI [9–16] Enable Switch (SW2)

SW2 Position	DAI Pin	Peripheral	Peripheral Net	Switch Setting (Default)
SW2.1	DAI_P9	AD1939	DSDATA4	ON
SW2.2	DAI_P10	AD1939	DSDATA3	ON



Table 2-5. DAI [9–16] Enable Switch (SW2) (Cont'd)

SW2 Position	DAI Pin	Peripheral	Peripheral Net	Switch Setting (Default)
SW2.3	DAI_P11	AD1939	DSDATA2	ON
SW2.4	DAI_P12	AD1939	DSDATA1	ON
SW2.5	DAI_P13	AD1939	DBCLK	OFF
SW2.6	DAI_P14	AD1939	DLRCLK	OFF
SW2.7	DAI_P15	LEDs	LED6	ON
SW2.8	DAI_P16	LEDs	LED7	ON

## DPI [1–8] Enable Switch (SW3)

The DPI [1–8] enable switch (SW3) disconnects DPI pins one through eight on the processor from the associated peripherals on the EZ-Board and allows the DPI signals to be used on the expansion II interface. See [Table 2-6](#).

Table 2-6. DPI [1–8] Enable Switch (SW3)

SW3 Position	DPI Pin	Peripheral	Peripheral Net	Switch Setting (Default)
SW3.1	DPI_P1	SPI memory AD1939	SPI_MOSI	ON
SW3.2	DPI_P2	SPI memory AD1939	SPI_MISO	ON
SW3.3	DPI_P3	SPI memory AD1939	SPI_CLK	ON
SW3.4	DPI_P4	AD1939	AD1939_CS	ON
SW3.5	DPI_P5	SPI memory	SPI_CS	ON
SW3.6	DPI_P6	LEDs	LED1	ON
SW3.7	DPI_P7	Internal testing	Not used	OFF
SW3.8	DPI_P8	Not used	Not used	OFF

### Boot Mode Select Switch (SW4)

The boot mode select switch (SW4) determines the boot mode of the processor. [Table 2-7](#) shows the available boot mode settings. By default, the processor boots from the on-board parallel flash memory.

The selected position of SW4 is marked by the notch down the entire rotating portion of the switch, not the small arrow.

Table 2-7. Boot Mode Select Switch (SW4)

SW4 Position	Processor Boot Mode
0	SPI slave boot
1	Boot from SPI flash memory (SPI master boot)
2	<b>Boot from 8-bit external parallel flash memory (default)</b>
3	Reserved
4	Reserved
5	Reserved
6	Reserved
7	Reserved

### DSP Clock Configuration Switch (SW5)

The clock configuration switch (SW5) controls the core frequency of the processor at power up. The core to clock-in ratio is multiplied by the 16.625 MHz oscillator (U42) to produce the power up core frequency. [Table 2-8](#) shows the switch settings.

The core clock frequency can be increased or decreased via software by writing to the `PMCTL` register. For more information on changing the core clock frequency and other settings, refer to the *ADSP-214xx SHARC Processor Hardware Reference*.

Table 2-8. Processor Clock Configuration Switch (SW5)

Position 1 CLKCFG0	Position 2 CLKCFG0	Clock Ratio Core: Clock
ON	ON	Reserved
ON	OFF	32:1
<b>OFF</b>	<b>ON</b>	<b>16:1 (default)</b>
OFF	OFF	8:1

## DAI [17–20] Enable Switch (SW7)

The DAI [17–20] enable switch (SW7) disconnects DAI pins 17 through 20 on the processor from the associated peripherals on the EZ-Board and allows the DAI signals to be used on the expansion II interface. See [Table 2-9](#).

Table 2-9. DAI [17–20] Enable Switch (SW7)

SW7 Position	DAI Pin	Peripheral	Peripheral Net	Switch Setting (Default)
SW7.1	DAI_P17	LEDs	LED8	ON
SW7.2	DAI_P18	S/PDIF	SPDIF_IN	ON
SW7.3	DAI_P19	Push buttons	PB3	ON
SW7.4	DAI_P20	Push buttons	PB4	ON

### Programmable Flag Push Buttons (SW8–11)

Four momentary push buttons (SW8–11) are provided for general-purpose user input. The buttons are connected to the GPIO pins of the processor. The push buttons are active high and, when pressed, send a high (1) to the processor. Switches SW7 and SW13 disconnect the push buttons from the responding signals. Refer to [“DAI \[17–20\] Enable Switch \(SW7\)” on page 2-11](#) and [“External Port Enable Switch \(SW13\)” on page 2-12](#) for more information.

### Reset Push Button (SW12)

The reset push button (SW12) resets the following ICs:

- ADSP-21479 processor (U1)
- AD1939 audio codec (U19)
- Parallel flash memory (U4)

The reset also is linked to the expansion II interface; any daughter card connected to the expansion interface that requires a reset can use SW12.

The reset push button does not reset the standalone debug agent once the debug agent is connected to a personal computer (PC). After communication between the debug agent and PC is initialized, pushing a reset button does not reset the USB chip on the debug agent. The only way to reset the USB chip on the debug agent is to power down the EZ-Board.

### External Port Enable Switch (SW13)

The external port enable switch (SW13) disconnects the control pins of the processor from the associated peripherals on the EZ-Board and allows the respective control signals to be used on the expansion II interface. See [Table 2-10](#).

Table 2-10. External Port Enable Switch (SW13)

SW13 Position	Processor Pin	Peripheral	Peripheral Net	Switch Setting (Default)
SW13.1	MS0	SDRAM	SDRAM_CS	ON
SW13.2	MS1	Parallel flash memory	FLASH_CS	ON
SW13.3	FLAG1/IRQ1	Push buttons	PB1	ON
SW13.4	FLAG2/IRQ2/MS2	Push buttons	PB2	ON
SW13.5	FLAG3/MS3	SRAM	SRAM_CS	ON
SW13.6	WDRSTO (Watch Dog Rest Out)	Reset Supervisory IC	WDRSTO	OFF

## DPI [9–14] Enable Switch (SW14)

The DPI [9–14] enable switch (SW14) disconnects DPI pins nine through 14 on the processors from the associated peripherals on the EZ-Board and allows the DPI signals to be used on the expansion II interface. See [Table 2-11](#).

Table 2-11. DPI [9–14] Enable Switch (SW14)

SW14 Position	DPI Pin	Peripheral	Peripheral Net	Switch Setting (Default)
SW14.1	DPI_P9	UART	UART_TX	ON
SW14.2	DPI_P10	UART	UART_RX	ON
SW14.3	DPI_P11	UART	UART_RTS	OFF
SW14.4	DPI_P12	UART	UART_CTS	OFF
SW14.5	DPI_P13	LEDs	LED2	ON
SW14.6	DPI_P14	LEDs	LED3	ON

### Audio In1 Left Selection Switch (SW15)

The audio selection switch (SW15) connects the left channel of the In1 line, connected to the AD1939's ADC1 circuit, to either the single-ended RCA connectors or the differential DB25 connector. By default, SW15 is set up to use the RCA connectors. To use the standard, off the shelf DB25 connector to XLR cables, change the switch to the differential setting. See [Table 2-12](#). For more information, see “[Differential In/Out Connectors \(P8–9\)](#)” on page 2-28.

Table 2-12. Audio In1 Left Selection Switch (SW15)

SW15 Position	Single-Ended RCA IN (Default)	Differential DB25 IN (P8)
SW15.1	ON	OFF
SW15.2	OFF	ON
SW15.3	ON	OFF
SW15.4	OFF	ON
SW15.5	ON	OFF
SW15.6	OFF	ON

### Audio In1 Right Selection Switch (SW16)

The audio selection switch (SW16) connects the right channel of the In1 line, connected to the AD1939's ADC2 circuit, to either the single-ended RCA connectors or the differential DB25 connector. By default, the switch is set up to use the RCA connectors for audio in. To use the standard, off the shelf DB25 connector to XLR cables, change the switch to the differential setting. See [Table 2-13](#). For more information, see “[Differential In/Out Connectors \(P8–9\)](#)” on page 2-28.

Table 2-13. Audio In1 Right Selection Switch (SW16)

SW16 Position	Single-Ended RCA IN (Default)	Differential DB25 IN (P8)
SW16.1	ON	OFF
SW16.2	OFF	ON
SW16.3	ON	OFF
SW16.4	OFF	ON
SW16.5	ON	OFF
SW16.6	OFF	ON

## Audio In2 Right Selection Switch (SW17)

The audio selection switch (SW17) connects the right channel of the In2 line, connected to the AD1939’s ADC4 circuit, to either the single-ended RCA connectors or the differential DB25 connector. By default, the switch is set up to use the RCA connectors for audio in. To use the standard, off the shelf DB25 connector to XLR cables, change the switch to the differential setting. See [Table 2-14](#). For more information, see “[Differential In/Out Connectors \(P8–9\)](#)” on page 2-28.

Table 2-14. Audio In2 Right Selection Switch (SW17)

SW17 Position	Single Ended Use RCA IN (Default)	Differential DB25 IN (P8)
SW17.1	ON	OFF
SW17.2	OFF	ON
SW17.3	ON	OFF
SW17.4	OFF	ON
SW17.5	ON	OFF
SW17.6	OFF	ON

### Audio In2 Left Selection Switch (SW18)

The audio selection switch (SW18) connects the left channel of the In2 line, connected to the AD1939's ADC3 circuit, to either the single-ended RCA connectors or the differential DB25 connector. By default, the switch is set up to use the RCA connectors for audio in. To use the standard, off the shelf DB25 connector to XLR cables, change the switch to the differential setting. See [Table 2-15](#). For more information, see “[Differential In/Out Connectors \(P8–9\)](#)” on page 2-28.

Table 2-15. Audio In2 Left Selection Switch (SW18)

SW18 Position	Single Ended RCA IN (Default)	Differential DB25 IN (P8)
SW18.1	ON	OFF
SW18.2	OFF	ON
SW18.3	ON	OFF
SW18.4	OFF	ON
SW18.5	ON	OFF
SW18.6	OFF	ON

### JTAG Switches (SW19–22)

The JTAG switches (SW19, SW20, SW21, and SW22) select between a single-processor (one EZ-Board) and multi-processor (more than one EZ-Board) configurations. By default, the four DIP switches are set up for a single EZ-Board configuration. See [Table 2-16](#).

The default configuration applies to either a debug agent or an external emulator, such as the Analog Devices high-performance USB-based emulator (HP-USB ICE for short). To use an external emulator and multiple EZ-Boards simultaneously in one multi-processor session, set up the boards as shown in [Table 2-17](#). Attach the boards to each other via connectors J3 and P10.



## ADSP-21479 EZ-Board Hardware Reference

For two EZ-Boards, no external cables are required. For three or more EZ-Boards, obtain Samtec JTAG cables described in “MP JTAG Connector (J3)” on page 2-24 and “MP JTAG Out Connector (P10)” on page 2-29.

Table 2-16. Single-Processor Configuration

Switch Position	Single EZ-Board Use (Default)
SW19.1	ON
SW19.2	OFF
SW19.3	ON
SW19.4	OFF
SW19.5	ON
SW19.6	OFF
SW19.7	ON
SW19.8	OFF
SW20.1	ON
SW20.2	OFF
SW21.1	ON
SW21.2	OFF
SW22.1	OFF
SW22.2	OFF

Table 2-17. Multiple-Processor Configuration

Switch Position	Main EZ-Board Attached to Emulator	EZ-Board(s) Not Attached to Emulator
SW19.1	ON	OFF
SW19.2	ON	ON
SW19.3	ON	OFF
SW19.4	ON	ON

## Push Buttons and Switches

Table 2-17. Multiple-Processor Configuration (Cont'd)

Switch Position	Main EZ-Board Attached to Emulator	EZ-Board(s) Not Attached to Emulator
SW19.5	ON	OFF
SW19.6	ON	ON
SW19.7	ON	OFF
SW19.8	ON	ON
SW20.1	ON	OFF
SW20.2	OFF	OFF
SW21.1	OFF	OFF
SW21.2	ON	ON
SW22.1	OFF	ON
SW22.2	ON	OFF

### Headphone Enable Switch (SW23)

The headphone enable switch (SW23) connects the AD1939's OUT3 circuit to the 3.5 mm headphone connector (J8). By default, the headphone enable switch is disabled. To use the headphones, set SW23 to all ON. [For more information, see "Headphone Out Connector \(J8\)" on page 2-26.](#)

### Audio Loopback Switches (SW24–25)

The audio loopback switches (SW24 and SW25) are used for testing only. The switches loop back any analog signal generated from the AD1939's digital-to-analog converter (DAC) circuit to analog-to-digital converter (ADC) circuit.

# Jumpers

This section describes functionality of the configuration jumpers. [Figure 2-3](#) shows the jumper locations.

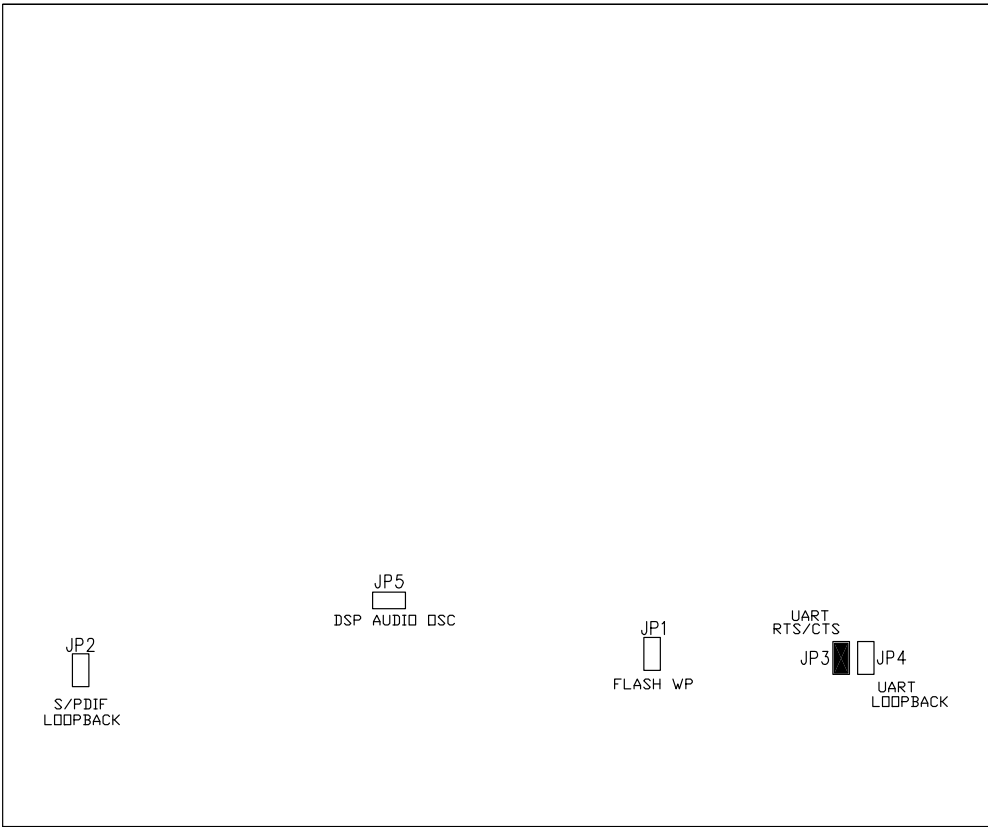


Figure 2-3. Configuration Jumper Locations

## Jumpers

### Flash WP Jumper (JP1)

The flash WP jumper (JP1) write-protects block 0 of the parallel flash chip. Block 0 is located at address range 0x0400 0000-0x0400 1FFF. The POST begins at block 0 and continues on to other blocks in flash memory. When the jumper is installed on JP1, and the parallel flash driver from Analog Devices is used, block 0 is read-only. By default, JP1 is not installed.

### S/PDIF Loopback Jumper (JP2)

The S/PDIF loop back jumper (JP2) is used for internal testing only. The jumper loops back any digital audio signal from the S/PDIF's Data Out pin to the S/PDIF's Data In pin. By default, JP2 is not installed.

### UART RTS/CTS Jumper (JP3)

The UART RTS/CTS jumper (JP3) connects the RTS and CTS pins of the RS-232 interface. By default, JP3 is installed.

### UART Loopback Jumper (JP4)

The UART loop back jumper (JP4) is used for internal testing only. The jumper loops back UART receive data from UART transmit data. By default, JP4 is not installed.

### DSP Audio Oscillator Jumper (JP5)

The processor audio oscillator jumper (JP5) connects a 24.576 MHz oscillator to the DAI\_P17 pin of the processor. The jumper can be used to make the processor the master and the AD1939 device—the slave. By default, JP5 is not installed, resulting in the AD1939 being the master, and the processor being the slave.

# LEDs

This section describes the on-board LEDs. [Figure 2-4](#) shows the LED locations.



Figure 2-4. LED Locations

## LEDs

### GPIO LEDs (LED1–8)

Eight LEDs (LED1-8) are connected to DAI and DPI pins of the processor. See [Table 2-18](#). The LEDs are active high and lit by writing a ‘1’ to the correct DAI or DPI pin.

Table 2-18. GPIO LEDs

LED Reference Designator	Processor Pin
LED1	DPI_P6
LED2	DPI_P13
LED3	DPI_P14
LED4	DAI_P3
LED5	DAI_P4
LED6	DAI_P15
LED7	DAI_P16
LED8	DAI_P17

### Power LED (LED9)

When LED9 is lit solid, it indicates that the board is powered.

### Reset LED (LED10)

When LED10 is lit, it indicates that a master reset of all major ICs is active. The reset LED is controlled by the Analog Devices ADM708 supervisory reset circuit. You can assert the reset push button (SW12) to assert a master reset and activate LED10. The reset also is controlled by the watch dog reset out pin of the processor. Switch SW13 position 8 must be enabled for the watch dog reset. For more information, see [“Watch Dog Timer Interface” on page 1-17](#).

# Connectors

This section describes connector functionality and provides information about mating connectors. The connector locations are shown in [Figure 2-5](#).

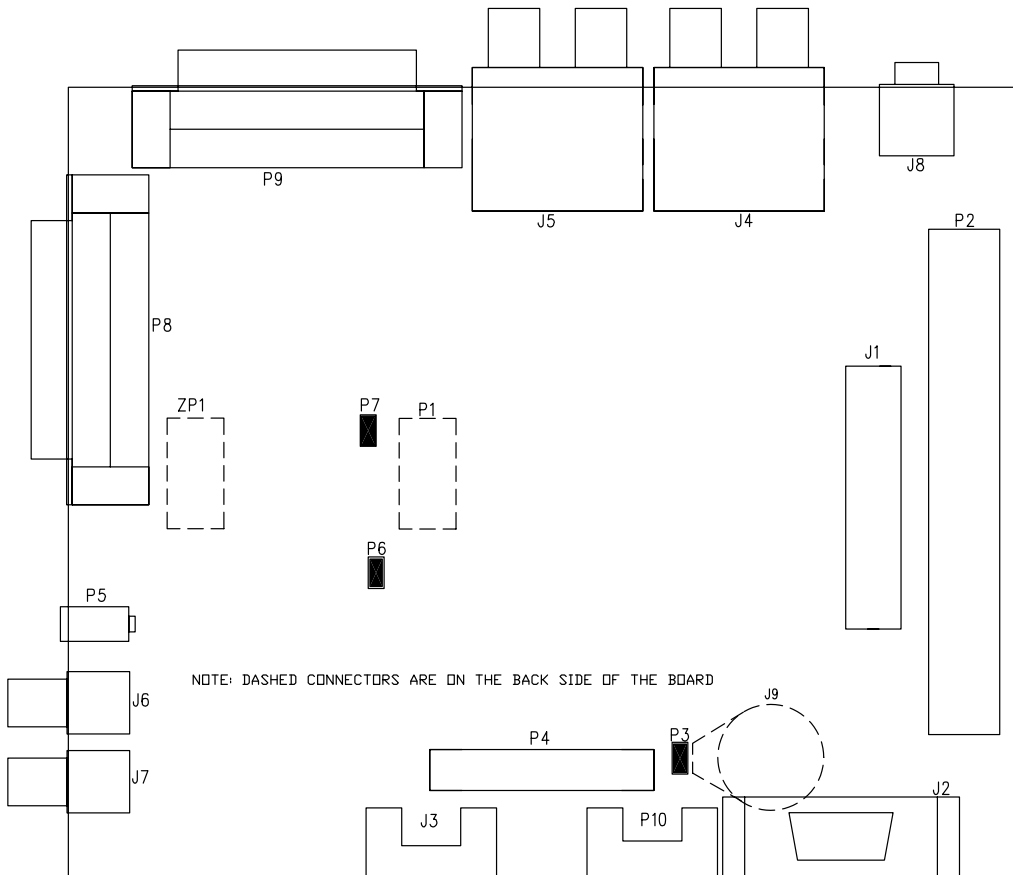


Figure 2-5. Connector Locations

## Connectors

### Expansion Interface II Connector (J1)

J1 is a board-to-board connector providing signals from the asynchronous memory interface (AMI) of the processor. The connector is located on the right edge of the board. For more information, see [“Expansion Interface II” on page 1-26](#). For availability and pricing of the connector, contact Samtec.

Part Description	Manufacturer	Part Number
104-position 0.025", SMT header	SAMTEC	QMS-052-06.75-L-D-A
Mating Connector		
104-position 0.025", SMT socket	SAMTEC	QFS-052-04.25-L-D-A

### RS-232 Connector (J2)

Part Description	Manufacturer	Part Number
DB9, female, vertical mount	NORCOMP	191-009-213-L-571
Mating Cable		
2m female-to-female cable	DIGI-KEY	AE1020-ND

### MP JTAG Connector (J3)

Part Description	Manufacturer	Part Number
ERF8 10 x 2, RA female	SAMTEC	ERF8-010-01-S-D-RA-L
Mating Cable		
6" cable ERF8 to ERM8 10 x 2	SAMTEC	ERCD-010-06.00-TBL-SBR-1



## RCA Audio Connector (J4)

Part Description	Manufacturer	Part Number
RCA 2 x 3	KYOYAKU ENT	WSP-256V1-09
Mating Cable (shipped with the EZ-Board)		
6' RCA audio cable	CABLESTOGO	03171

## RCA Audio Connector (J5)

Part Description	Manufacturer	Part Number
RCA 2 x 3	KYOYAKU ENT	WSP-256V1-09
Mating Cable (shipped with the EZ-Board)		
6' RCA audio cable	CABLESTOGO	03171

## S/PDIF In Connector (J6)

Part Description	Manufacturer	Part Number
RCA 1 x 1	SWITCHCRAFT	PJRRAN1X1U01X
Mating Cable (shipped with the EZ-Board)		
6' RCA audio cable	CABLESTOGO	03171

## S/PDIF Out Connector (J7)

Part Description	Manufacturer	Part Number
RCA 1 x 1	SWITCHCRAFT	PJRRAN1X1U01X
Mating Cable (shipped with the EZ-Board)		
6' RCA audio cable	CABLESTOGO	03171

## Connectors

### Headphone Out Connector (J8)

Part Description	Manufacturer	Part Number
3.5 mm stereo jack	CUI	SJ1-3525NG
Mating Headphones (shipped with the EZ-Board)		
Stereo headphones	KOSS	151225 UR5

### JTAG Connector (P1)

The P1 connector provides access to the JTAG signals of the ADSP-21479 processor. The standalone debug agent requires two connectors, P1 and ZP1. Pin 3 is missing to provide keying. Pin 3 in the mating connector must have a plug. [For more information, see “JTAG Interface” on page 1-24.](#)

Remove the standalone debug agent when an emulator is used with the EZ-Board. Follow the installation instructions provided in [“CCES Install and Session Startup” on page 1-5](#) or [“VisualDSP++ Install and Session Startup” on page 1-9](#), using P1 as the JTAG connection point.

### Expansion Interface II Connector (P2)

P2 is a board-to-board connector providing signals for the DAI and DPI interfaces and GPIO signals of the processor. The connector is located on the right edge of the board. [For more information, see “Expansion Interface II” on page 1-26.](#) For availability and pricing of the connectors, contact Samtec.

Part Description	Manufacturer	Part Number
60-position 0.1”, SMT header	SAMTEC	TSSH-130-01-L-DV-A
Mating Connector		
60-position 0.1”, SMT socket	SAMTEC	SSW-130-22-F-D-VS

## VDDRTC Power Connector (P3)

The VDDRTC power connector (P3) is used to measure the processor's I/O voltage and current. By default, P3 is ON, and the power flows through the two-pin IDC header. To measure power, remove the jumper on P3 and measure voltage across the 0.1 ohm resistor. Once voltage is measured, power can be calculated. For more information, refer to [“Power Measurements” on page 1-27](#).

## Shift Register Interface Connector (P4)

The shift register interface connector (P4) provides signals for the shift register interface of the processor. A user can use this connector to probe the signals or can purchase a standard 2 mm ribbon cable if the signals are needed off the board. For more information, refer to [“Shift Register Interface” on page 1-18](#).

Part Description	Manufacturer	Part Number
2 mm 13 x 2 male	SAMTEC	ETMM-113-02-L-D-SM
Mating Cable		
6" 2 mm cable 13 x 2	SAMTEC	TCSD-13-D-06.00-01

## Power Connector (P5)

The power connector (P5) provides all of the power necessary to operate the EZ-Board.

Part Description	Manufacturer	Part Number
0.65 mm power jack	CUI	045-0883R
Mating Power Supply (shipped with the EZ-Board)		
5.0VDC@3.6A power supply	GLOBTEK	GS-1750(R)

## Connectors

### VDD<sub>EXT</sub> Power Connector (P6)

The VDD<sub>EXT</sub> power connector (P6) is used to measure the processor's I/O voltage and current. By default, P6 is 0N, and the power flows through the two-pin IDC header. To measure power, remove the jumper on P7 and measure voltage across the 0.1 ohm resistor. Once voltage is measured, power can be calculated. For more information, refer to [“Power Measurements” on page 1-27](#).

### VDD<sub>INT</sub> Power Connector (P7)

The VDD<sub>INT</sub> power connector (P7) is used to measure voltage and current supplied to the processor core. By default, P7 is 0N, and the power flows through the two-pin IDC header. To measure power, remove the jumper on P7 and measure voltage across the 0.1 ohm resistor. Once voltage is measured, power can be calculated. For more information, refer to [“Power Measurements” on page 1-27](#).

### Differential In/Out Connectors (P8–9)

The differential in and out connectors (P8-9) are intended for an evaluation of the AD1939 codec via XLR connectors. A standard, off the shelf DB25 connector to XLR cables is required; the cable details can be found in the following table.

Part Description	Manufacturer	Part Number
25-position DB25 socket	TYCO	1734350-2
Mating Cables		
Snake (8)XLR <sub>F</sub> -25P 9.9'	HOSA	DTF-803
Snake (8)XLR <sub>M</sub> -25P 9.9'	HOSA	DTM-803

## MP JTAG Out Connector (P10)

Part Description	Manufacturer	Part Number
ERM8 10 x 2, RA male	SAMTEC	ERM8-010-01-S-D-RA
<b>Mating Cable</b>		
6" cable ERF8 to ERM8 10 x 2	SAMTEC	ERCD-010-06.00-TBL-SBR-1

## Standalone Debug Agent Connector (ZP1)

ZP1 connects the standalone debug agent to the EZ-Board. The standalone debug agent requires two connectors, ZP1 and P1. [For more information, see “JTAG Connector \(P1\)” on page 2-26.](#)

## Connectors

# A ADSP-21479 EZ-BOARD BILL OF MATERIALS

The bill of materials corresponds to “[ADSP-21479 EZ-Board Schematic](#)” on page B-1.

Ref.	Qty.	Description	Reference Designator	Manufacturer	Part Number
1	1	74LVC14A SOIC14	U14	TI	74LVC14AD
2	1	IDT74FCT3244APY SSOP20	U17	IDT	IDT74FCT3244APYG
3	1	12.288MHZ OSC003	U12	EPSON	SG-8002CA MP
4	1	32.768KHZ OSC008	U7	EPSON	MC-156-32.7680KA-A0:ROHS
5	4	SN74LVC1G08 SOT23-5	U9,U13,U27,U41	TI	SN74LVC1G08DBVR
6	1	24.576MHZ OSC003	U39	EPSON	SG-8002CA MP
7	1	SN65LVDS2D SOIC8	U11	NATIONAL SEMI	DS90LV018ATM
8	1	M25P16 SO8W	U6	NUMONYX	M25P16-VMW6G
9	2	SI7601DN ICS010	U15-16	VISHAY	SI7601DN
10	1	MT48LC16M16A2 TSOP54	U2	MICRON	MT48LC16M16A2P-6A:D
11	1	IS61WV102416BL L TSOP48	U3	ISSI	IS61WV102416BLL-10TLI
12	1	2MHz OSC015	U40	MURATA	CSTCC2M00G56-R0(2MHz)

Ref.	Qty.	Description	Reference Designator	Manufacturer	Part Number
13	1	16.625MHZ OSC003	U42	EPSON	SG-8002CA-MPT
14	1	21479 M29W320EB "U4"	U4	NUMONYX	M29W320EB70ZE6E
15	1	ADM708SARZ SOIC8	U18	ANALOG DEVICES	ADM708SARZ
16	1	ADM3202ARNZ SOIC16	U8	ANALOG DEVICES	ADM3202ARNZ
17	1	ADSP-21479 BGA196	U1	ANALOG DEVICES	ADSP-21479KBCZ- ENG
18	2	ADP1864AUJZ SOT23-6	VR2-3	ANALOG DEVICES	ADP1864AUJZ-R7
19	1	ADP1710 TSOT5	VR1	ANALOG DEVICES	ADP1710AUJZ-R7
20	1	AD1939 LQFP64	U19	ANALOG DEVICES	AD1939YSTZ
21	16	AD8652ARZ SOIC_N8	U20-26,U28-30, U32-34,U36-38	ANALOG DEVICES	AD8652ARZ
22	1	AD8397 SOIC_N8_EP	U31	ANALOG DEVICES	AD8397ARDZ-REEL7
23	1	ADM1085 SC70_6	U35	ANALOG DEVICES	ADM1085AKSZ-REEL7
24	2	RCA 1X1 CON012	J6-7	SWITCH- CRAFT	PJRRAN1X1U01X
25	5	MOMENTARY SWT013	SW8-12	PANASONIC	EVQ-PAD04M
26	4	DIP8 SWT016	SW1-3,SW19	C&K	TDA08H0SB1
27	6	DIP6 SWT017	SW13-18	CTS	218-6LPST
28	3	DIP4 SWT018	SW7,SW24-25	ITT	TDA04H0SB1



## ADSP-21479 EZ-Board Bill Of Materials

Ref.	Qty.	Description	Reference Designator	Manufacturer	Part Number
29	1	DB9 9PIN CON038	J2	NORCOMP	191-009-213-L-571
30	5	DIP2 SWT020	SW5,SW20-23	C&K	CKN9064-ND
31	3	IDC 2X1 IDC2X1	P3,P6-7	FCI	90726-402HLF
32	5	IDC 2X1 IDC2X1	JP1-5	FCI	90726-402HLF
33	2	IDC 2PIN_JUMPER_S HORT	SJ2-3	DIGI-KEY	S9001-ND
34	1	3.5MM STEREO_JACK CON001	J8	DIGI-KEY	CP1-3525NG-ND
35	1	PWR.65MM CON045	P5	DIG	CP1-023-ND
36	1	5A RESETABLE FUS005	F1	MOUSER	650-RGEF500
37	1	QMS 52x2 QMS52x2_SMT	J1	SAMTEC	QMS-052-06.75-L-D-A
38	1	IDC 7x2 IDC7x2_SMTA	P1	SAMTEC	TSM-107-01-T-DV-A
39	1	BATT_HOLDER 16MM BATT_COI	J9	MEMORY PROTECTI	BH600
40	1	ROTARY SWT027	SW4	COPAL	S-8110
41	2	RCA 2x3 CON_RCA_6B	J4-5	KYOYAKU ENT.	WSP-256V1-09H
42	1	ERM8 10X2 ERM8_10X2_SMT	P10	SAMTEC	ERM8-010-01-S-D-RA- TR
43	1	ERF8 10X2 ERF8_10X2_SMT	J3	SAMTEC	ERF8-010-01-S-D-RA-L
44	2	DB25 25PIN DB25F	P8-9	TYCO	1734350-2

Ref.	Qty.	Description	Reference Designator	Manufacturer	Part Number
45	1	IDC 30x2 IDC30X2_SMTA	P2	SAMTEC	TSSH-130-01-L-DV-A
46	1	2MM 13X2 13X2_2MM	P4	SAMTEC	ETMM-113-02-L-D-SM
47	8	YELLOW LED001	LED1-8	DIGI-KEY	P512TR-ND
48	2	22PF 50V 5% 0805	C262-263	AVX	08055A220JAT
49	2	0.22UF 25V 10% 0805	C126-127	AVX	08053C224KAT2A
50	1	0.1UF 50V 10% 0805	C123	AVX	08055C104KAT
51	1	600 100MHZ 200MA 0603	FER1	DIGI-KEY	490-1014-2-ND
52	2	600 100MHZ 500MA 1206	FER2-3	STEWARD	HZ1206B601R-10
53	2	10UF 16V 20% CAP002	CT59-60	PANASONIC	EEE1CA100SR
54	1	190 100MHZ 5A FER002	FER4	MURATA	DLW5BSN191SQ2
55	8	10UF 6.3V 10% 0805	C97-98,C100- 101,C254,C257, C287-288	AVX	08056D106KAT2A
56	2	4.7UF 6.3V 10% 0805	C240,C246	AVX	08056D475KAT2A
57	32	0.1UF 10V 10% 0402	C53,C117-120, C148,C151-152, C160,C162, C169-170,C178, C188-189,C191, C197,C199-200, C211,C213-214, C225,C227-228, C264,C267-271, C273	AVX	0402ZD104KAT2A

## ADSP-21479 EZ-Board Bill Of Materials

Ref.	Qty.	Description	Reference Designator	Manufacturer	Part Number
58	59	0.01UF 16V 10% 0402	C45-48,C50,C52, C56-70,C74-79, C81,C83-85,C99, C121-122,C125, C128-131,C136-142,C266,C274-282,C286,C291, C294	AVX	0402YC103KAT2A
59	32	10K 1/16W 5% 0402	R99,R190,R196-200,R202,R205-206,R217,R224-225,R233-239, R256,R259-260, R469,R494, R504-507,R513-514,R518	VISHAY	CRCW040210K0FKED
60	2	4.7K 1/16W 5% 0402	R185,R501	VISHAY	CRCW04024K70JNED
61	5	0 1/16W 5% 0402	R462,R485,R492, R498,R509	PANASONIC	ERJ-2GE0R00X
62	3	22 1/16W 5% 0402	R1,R230,R521	PANASONIC	ERJ-2GEJ220X
63	11	33 1/16W 5% 0402	R201,R203, R257-258,R261-263,R495-496, R503,R512	VISHAY	CRCW040233R0JNEA
64	1	100UF 10V 10% C	CT61	AVX	TPSC107K010R0075
65	1	1000PF 50V 5% 0402	C51	AVX	04025C102JAT2A
66	1	1A SK12 DO-214AA	D4	DIODES INC	B120B-13-F
67	1	107.0 1/10W 1% 0805	R228	DIGI-KEY	311-107CRTR-ND
68	1	249.0 1/10W 1% 0805	R227	DIGI-KEY	311-249CRTR-ND

Ref.	Qty.	Description	Reference Designator	Manufacturer	Part Number
69	2	0.1UF 16V 10%0603	C255-256	AVX	0603YC104KAT2A
70	2	1UF 16V 10% 0603	C260-261	KEMET	C0603C105K4PACTU
71	2	68PF 50V 5% 0603	C243,C249	AVX	06035A680JAT2A
72	2	470PF 50V 5% 0603	C242,C248	AVX	06033A471JAT2A
73	1	220UF 6.3V 20% D2E	CT45	SANYO	10TPE220ML
74	10	330 1/10W 5% 0603	R248-255,R467- 468	VISHAY	CRCW0603330RJNEA
75	2	0 1/10W 5% 0603	R452,R458	PHYCOMP	232270296001L
76	4	10 1/10W 5% 0603	R244-247	VISHAY	CRCW060310R0JNEA
77	1	10.0K 1/16W 1% 0603	R231	DALE	CRCW060310K0FKEA
78	8	237.0 1/10W 1% 0603	R267,R272,R280, R285,R293, R298-299,R304	DIGI-KEY	311-237HRTR-ND
79	24	49.9K 1/10W 1% 0603	R265,R271,R282, R284,R295,R297, R300,R302,R310, R336-337,R343- 344,R363-364, R369,R378, R397-398,R403, R412,R431-432, R437	DIGI-KEY	311-49.9KHRTR-ND
80	1	75.0 1/10W 1% 0603	R229	DALE	CRCW060375R0FKEA
81	4	1UF 6.3V 20% 0402	C132-135	PANASONIC	ECJ-0EB0J105M
82	4	100 1/16W 5% 0402	R240-243	DIGI-KEY	311-100JRTR-ND

## ADSP-21479 EZ-Board Bill Of Materials

Ref.	Qty.	Description	Reference Designator	Manufacturer	Part Number
83	1	562.0 1/10W 1% 0603	R461	VISHAY	CRCW0603562RFKEA
84	1	390PF 25V 5% 0603	C258	AVX	06033A391FAT2A
85	1	5600PF 16V 5% 0805	C259	AVX	0805YA562JAT2A
86	1	15.0K 1/16W 1% 0603	R232	DIGI-KEY	311-15.0KHRTR-ND
87	40	4.99K 1/16W 1% 0603	R264,R273, R278-279,R291-292,R305-306, R311,R313-314, R324,R326-328, R342,R349-350, R352-354,R357, R366,R371, R383-384,R386-388,R391,R400, R405,R417-418, R420-422,R425, R434,R439	VISHAY	CRCW06034K99FKEA
88	2	24.9K 1/10W 1% 0603	R448,R454	DIGI-KEY	311-24.9KHTR-ND
89	1	31.6K 1/16W 1% 0603	R473	PANASONIC	ERJ-3EKF3162V
90	2	10UF 10V 10% 0805	C161,C265	PANASONIC	ECJ-2FB1A106K
91	8	5.76K 1/16W 1% 0603	R266,R269,R277, R281,R290,R294, R303,R307	PANASONIC	ERJ-3EKF5761V
92	3	0.05 1/2W 1% 1206	R459-460,R517	SEI	CSF 1/2 0.05 1%R
93	3	10UF 16V 10% 1210	C244-245,C250	AVX	1210YD106KAT2A

Ref.	Qty.	Description	Reference Designator	Manufacturer	Part Number
94	1	GREEN LED001	LED9	PANASONIC	LN1361CTR
95	1	RED LED001	LED10	PANASONIC	LN1261CTR
96	2	1000PF 50V 5% 1206	C236,C251	AVX	12065A102JAT2A
97	1	255.0K 1/10W 1% 0603	R447	VISHAY	CRCW06032553FK
98	2	80.6K 1/10W 1% 0603	R449,R455	DIGI-KEY	311-80.6KHRCT-ND
99	3	5A MBRS540T3G SMC	D1-3	ON SEMI	MBRS540T3G
100	1	20MA MA3X717E DIO005	D5	PANASONIC	MA3X717E
101	2	2.5UH 30% IND013	L1-2	COILCRAFT	MSS1038-252NLB
102	1	1.0K 1/16W 1% 0402	R287	PANASONIC	ERJ-2RKF1001X
103	1	8.20K 1/10W 1% 0603	R502	DIGI-KEY	541-8.20KHCT-ND
104	6	10.0K 1/16W 1% 0402	R474,R486-488, R491,R499	DIGI-KEY	541-10.0KLCT-ND
105	10	100K 1/16W 5% 0402	R475-484	DIGI-KEY	541-100KJTR-ND
106	1	42.2K 1/16W 1% 0402	R453	DALE	CRCW040242K2FKED
107	10	33 1/32W 5% RNS005	RN18,RN26-34	PANASONIC	EXB-28V330JX
108	16	2.67K 1/16W 1% 0402	R316,R318,R322, R338,R367-368, R373,R377, R401-402,R407, R411,R435-436, R441,R445	PANASONIC	ERJ-2RKF2671X

## ADSP-21479 EZ-Board Bill Of Materials

Ref.	Qty.	Description	Reference Designator	Manufacturer	Part Number
109	30	100.0 1/16W 1% 0402	R274-275,R288, R309,R331-335, R340,R351, R358-362,R385, R392-396,R419, R426-430,R489-490	DIGI-KEY	541-100LCT-ND
110	2	47UF 16V 20% ELEC_6MM	CT57-58	PANASONIC	EEE-FC1C470P
111	4	37.4K 1/16W 1% 0402	R268,R276,R289, R308	DIGI-KEY	541-37.4KLCT-ND
112	8	1000PF 50V 5% 0402	C144,C150, C154,C159, C164,C168, C171,C176	DIGI-KEY	490-3244-1-ND
113	4	100pF 50V 5% 0402	C147,C155, C165,C175	MURATA	GCM1555C1H101JZ1 3D
114	8	300PF 100V 5% 0603	C143,C145, C153,C157, C163,C173, C177,C179	DIGI-KEY	490-1362-2-ND
115	16	2.43K 1/16W 1% 0402	R315,R319,R323, R325,R346-347, R374-375,R380-381,R408-409, R414-415,R442-443	DIGI-KEY	541-2.43KLCT-ND
116	16	750.0 1/16W 1% 0402	R317,R320-321, R341,R345,R348, R372,R376,R379, R382,R406,R410, R413,R416,R440, R444	DIGI-KEY	541-750LCT-ND

Ref.	Qty.	Description	Reference Designator	Manufacturer	Part Number
117	16	620PF 50V 5% 0402	C181,C186-187, C192,C194-195, C201,C204, C208-209,C215, C218,C222-223, C229,C232	DIGI-KEY	490-3239-2-ND
118	16	680PF 50V 5% 0402	C182-183,C185, C193,C202-203, C206-207,C216- 217,C220-221, C230-231,C234- 235	DIGI-KEY	490-3240-1-ND
119	18	22 1/32W 5% RNS005	RN15-17,RN19- 21,RN23-25, RN49-52,RN55- 59	PANASONIC	EXB-28V220JX
120	4	0.036 1/2W 1% 1206	R450-451,R456- 457	SUSUMU	RL1632S-R036-F
121	1	470UF 2.5V 20% D2E	CT47	SANYO	2R5TPE470MF
122	40	22UF 6.3V 20% ELEC_4MM	CT1,CT3,CT5-6, CT8-11,CT14, CT16,CT18-19, CT23-24,CT27- 28,CT31-32, CT35-36,CT39- 40,CT43-44, CT49-56,CT62- 69	PANASONIC	EEE-FC0J220R
123	8	22UF 6.3V 20% ELEC_5MM	C180,C184, C196,C205, C210,C219, C224,C233	MOUSER	647-UWP0J220MCL
124	1	5K 1/20W 20% RES_POT_DUAL	R493	PANASONIC	EVJ-Y15F03A53



## ADSP-21479 EZ-Board Bill Of Materials

Ref.	Qty.	Description	Reference Designator	Manufacturer	Part Number
125	16	6.81K 1/10W 1% 0603	R312,R329-330, R339,R355-356, R365,R370, R389-390,R399, R404,R423-424, R433,R438	DIGI-KEY	311-6.81KHRTR-ND
126	1	806 1/10W 1% 0402	R286	VISHAY	CRCW0402806RFKED
127	1	30A GSOT05 SOT23-3	D6	VISHAY	GSOT05-GS08
128	2	30A GSOT03 SOT23-3	D7-8	VISHAY	GSOT03-GS08
129	1	7A VESD01-02V-GS08 SOD-52	D9	VISHAY	VESD01-02V-GS08
130	1	16.9K 1/16W 1% 0402	R500	VISHAY	CRCW040216K9FKED
131	1	100M 1/10W 5% 0603	R515	VISHAY	CRCW0603100MJPE-HR
132	2	2PF 50V 5% 0402	C293,C296	DIGI-KEY	445-4862-2-ND



A

B

C

D

# ADSP-21479 EZ-BOARD

## SCHEMATIC



**ANALOG  
DEVICES**

20 Cotton Road  
Nashua, NH 03063  
PH: 1-800-ANALOGD

<b>Title</b>		ADSP-21479 EZ-BOARD	
		TITLE	
<b>Size</b>	<b>Board No.</b>	<b>Rev</b>	
C	A0229-2009	0.1B	
<b>Date</b>	3-15-2010_15:12	<b>Sheet</b>	1 of 17

A

B

C

D

1

1

2

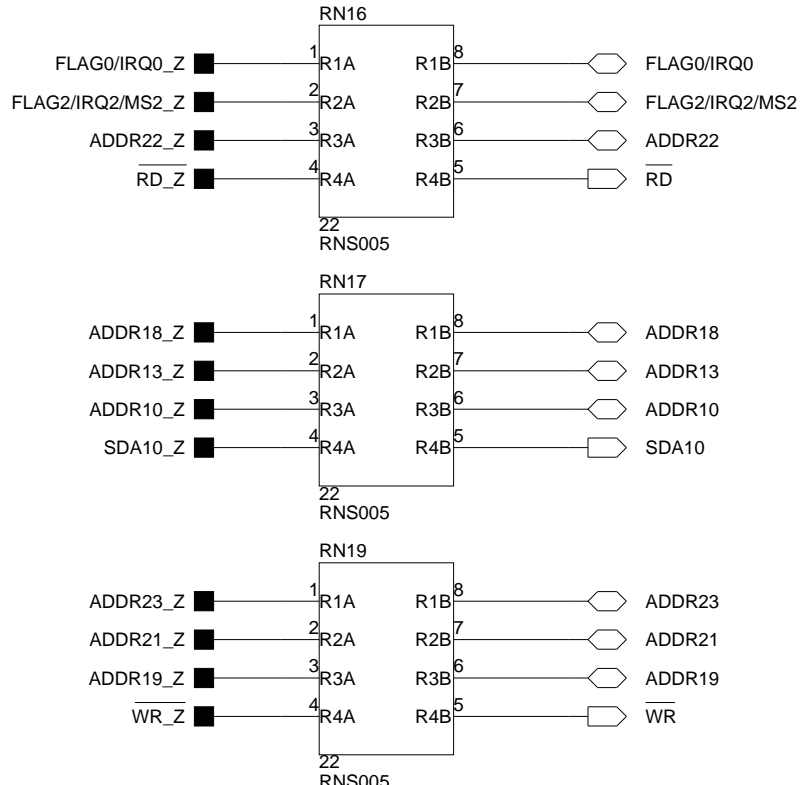
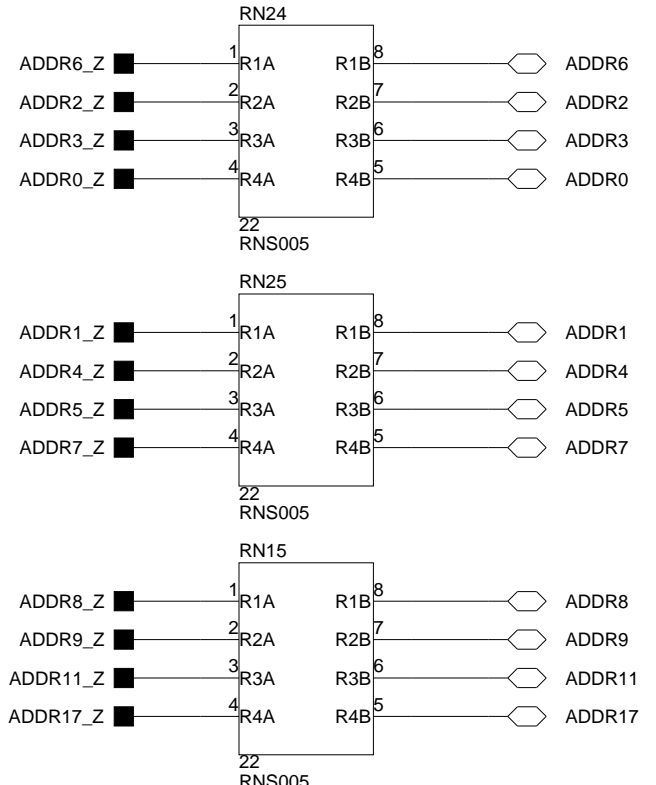
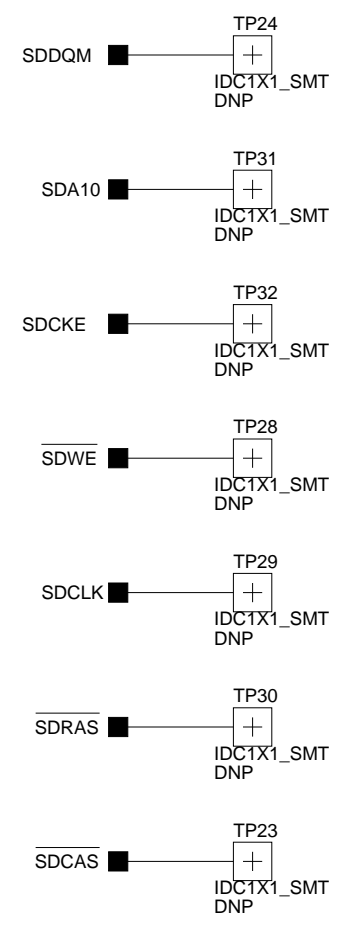
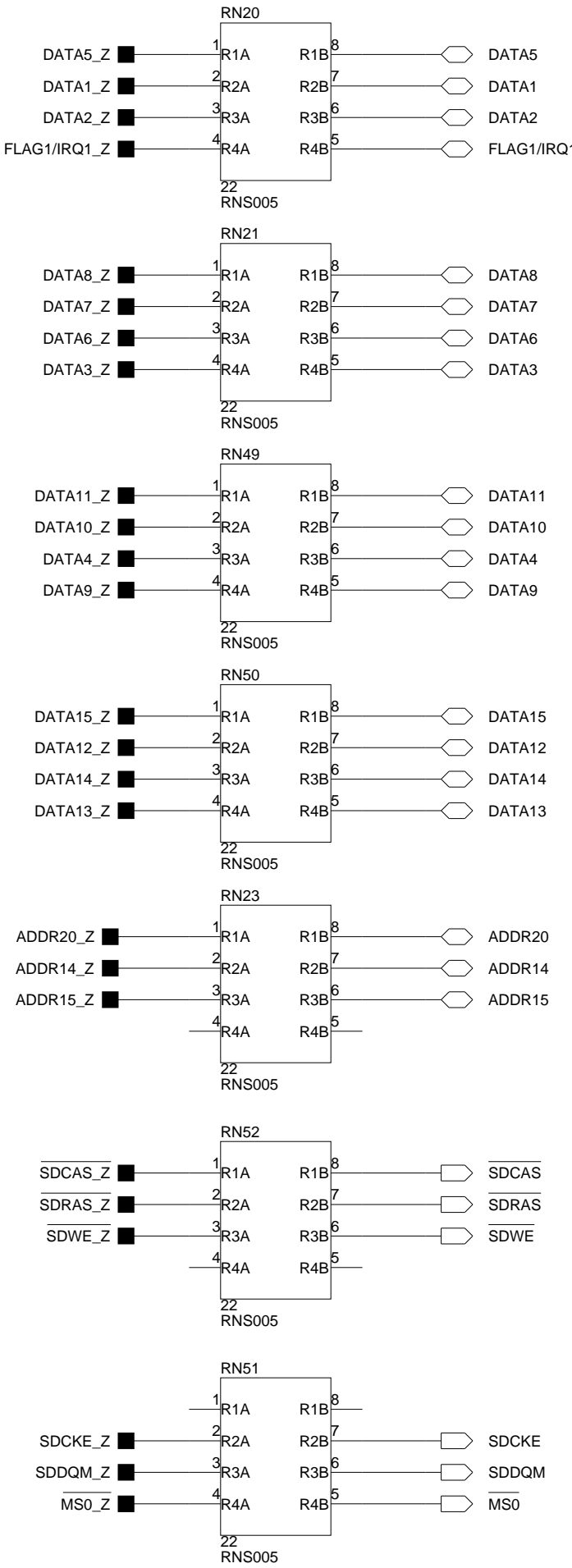
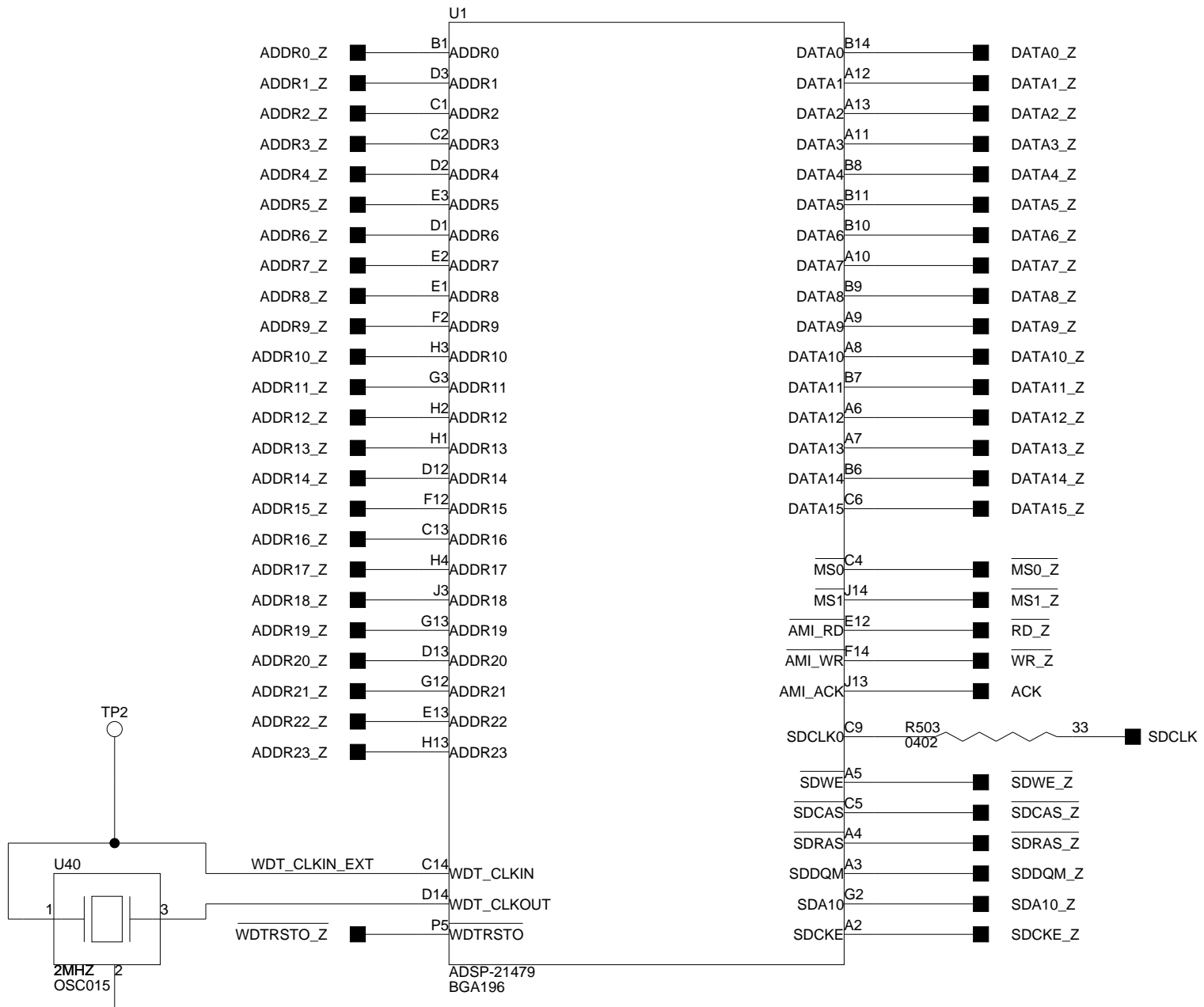
2

3

3

4

4

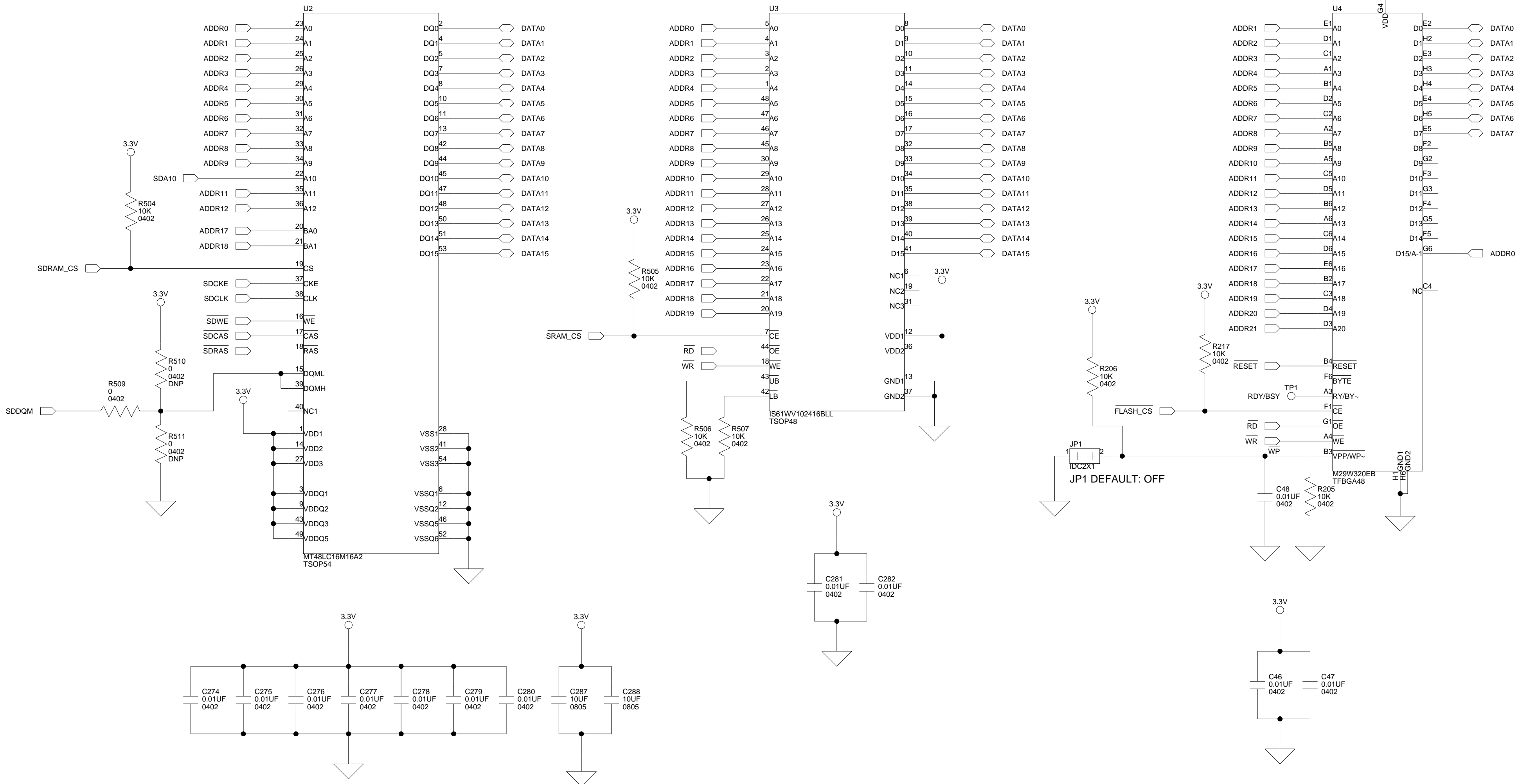


		20 Cotton Road Nashua, NH 03063 PH: 1-800-ANALOGD	
		<b>Title</b> ADSP-21479 EZ-BOARD DSP - EXTERNAL PORT	
<b>Size C</b>	<b>Board No.</b> A0229-2009	<b>Rev</b> 0.1B	
<b>Date</b> 3-18-2010_14:14	<b>Sheet</b> 2 of 17		

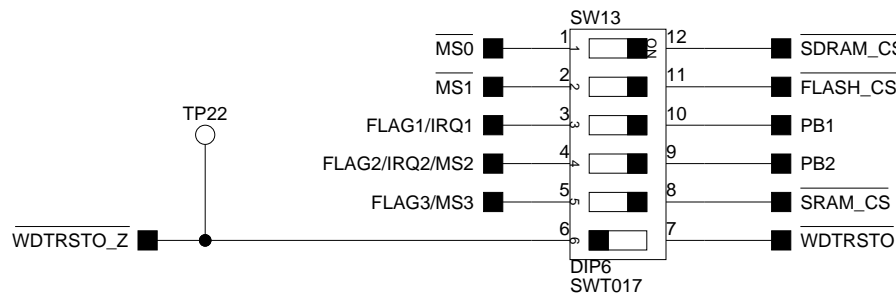
**32MB SDRAM**  
(4 Mbit X 16 X 4 banks)

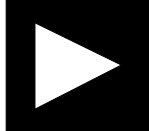
**2MB SRAM**  
(1 Mbit X 16)

**4MB FLASH**  
(4 Mbit X 8)

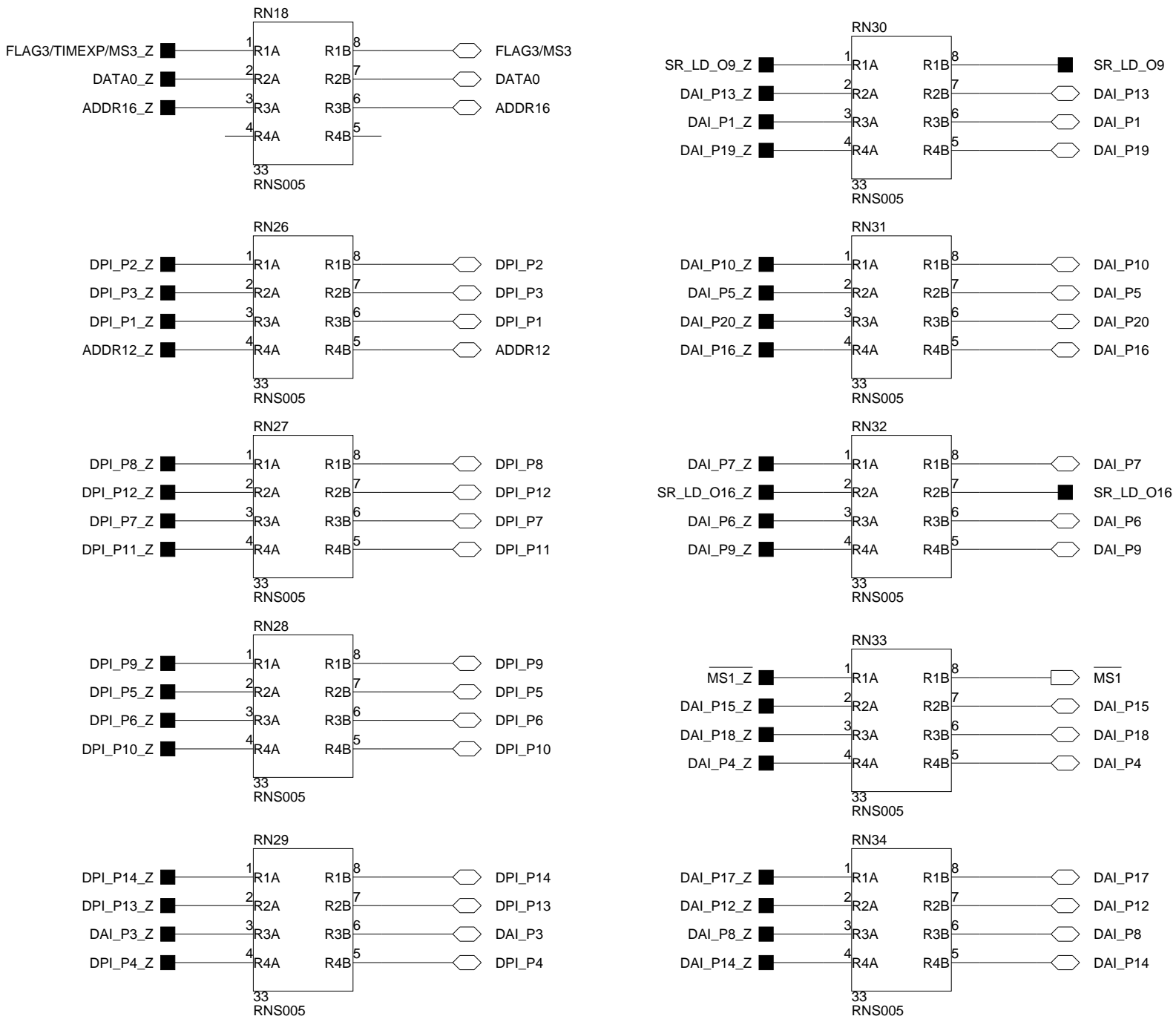
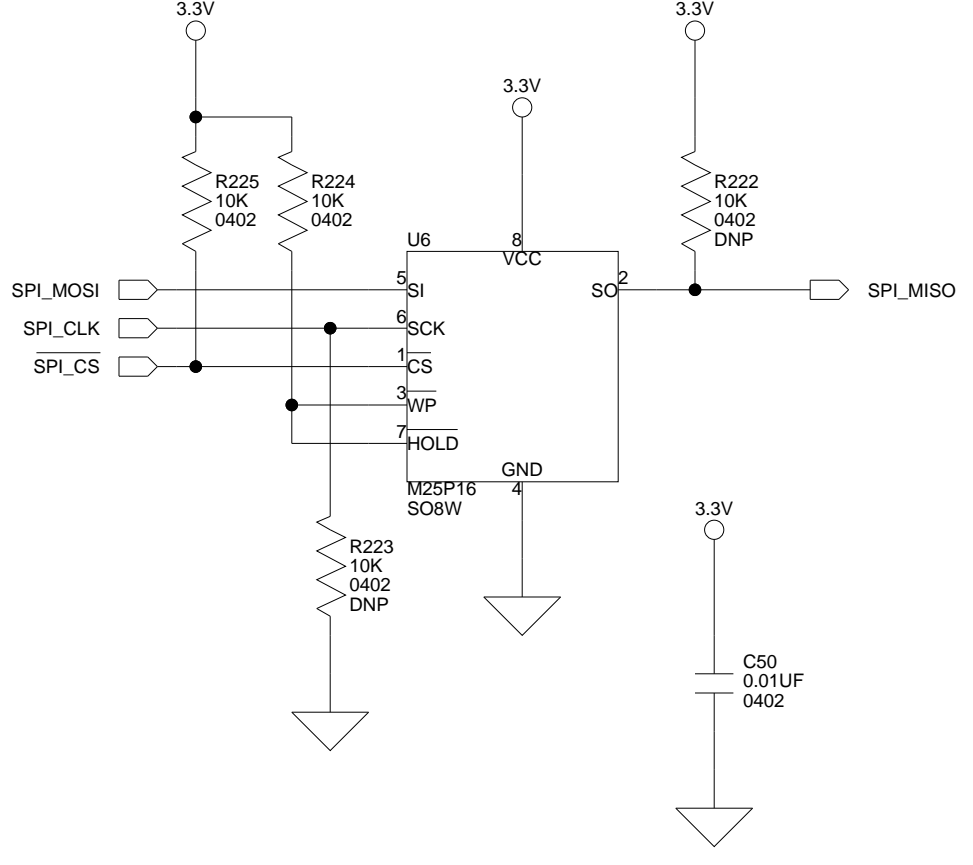
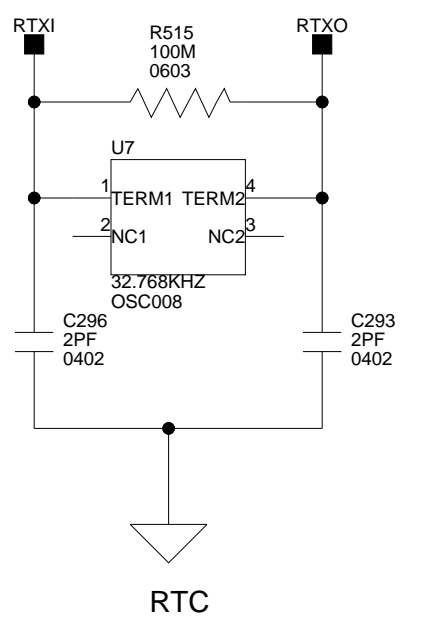
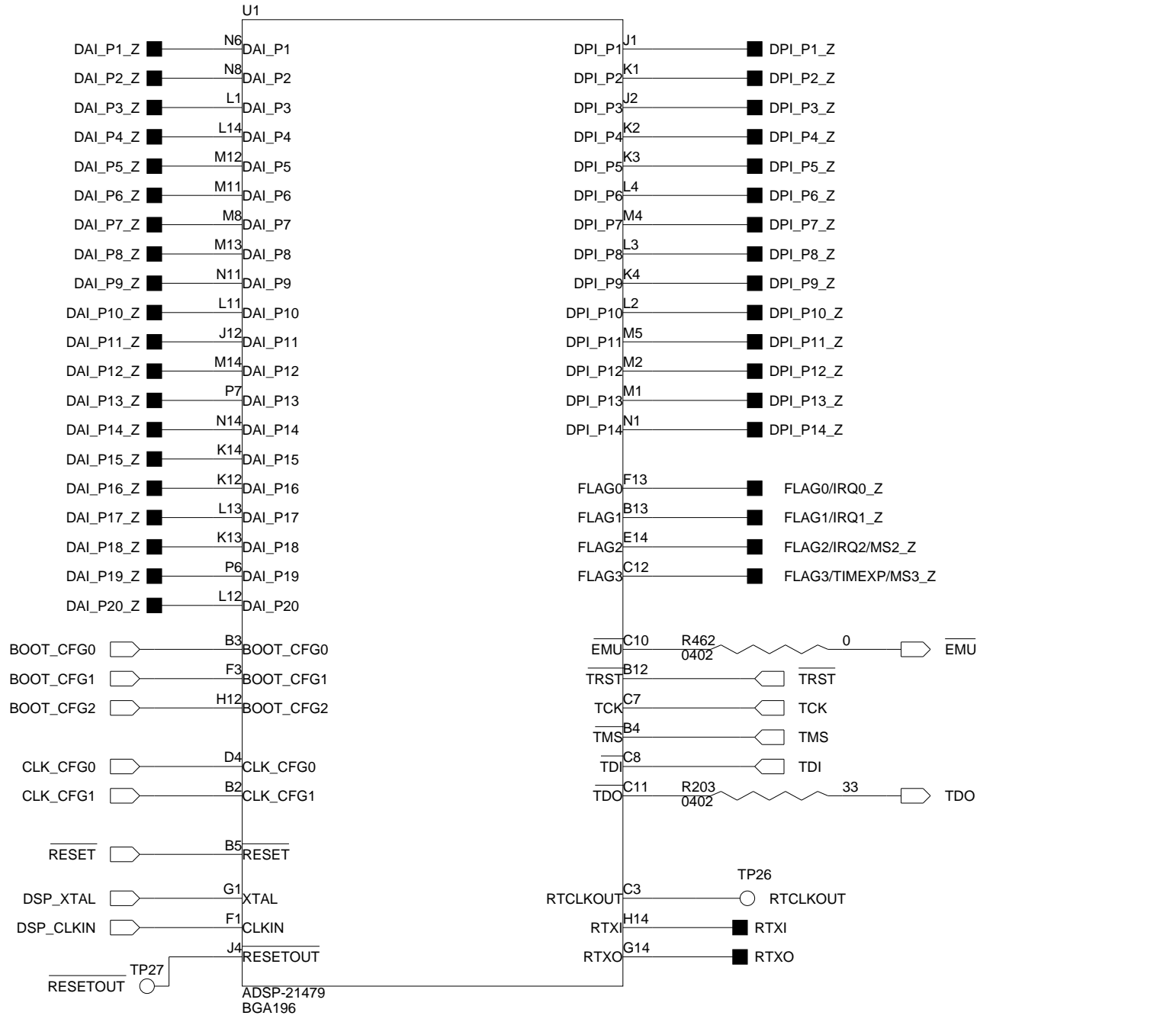


SW13: EXTERNAL PORT ENABLE  
DEFAULT: ON ON OFF ON ON OFF ON OFF

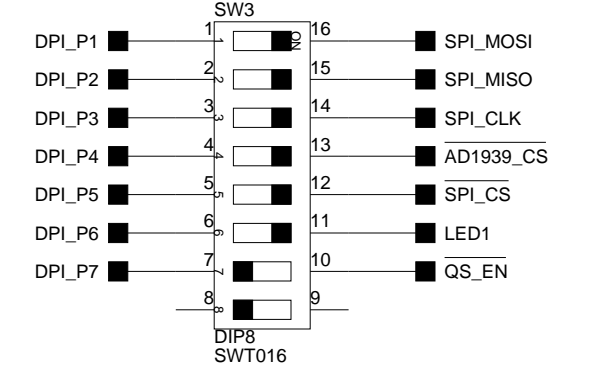


 <b>ANALOG DEVICES</b>		20 Cotton Road Nashua, NH 03063 PH: 1-800-ANALOGD	
		<b>Title</b> ADSP-21479 EZ-BOARD MEMORY - PARALLEL	
<b>Size C</b>	<b>Board No.</b> A0229-2009	<b>Rev</b> 0.1B	
<b>Date</b> 3-15-2010_15:12	<b>Sheet</b> 3 of 17		

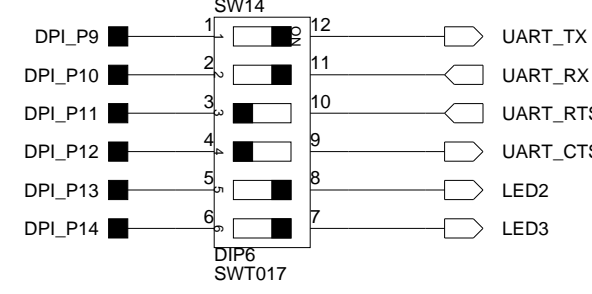
NOTE: SHUTTING OFF DIP SWITCHES SW1, SW2, SW3 SW7, OR SW14 ALLOWS A USER TO USE THESE DAI OR DPI PINS VIA THE EXPANSION II INTERFACE.



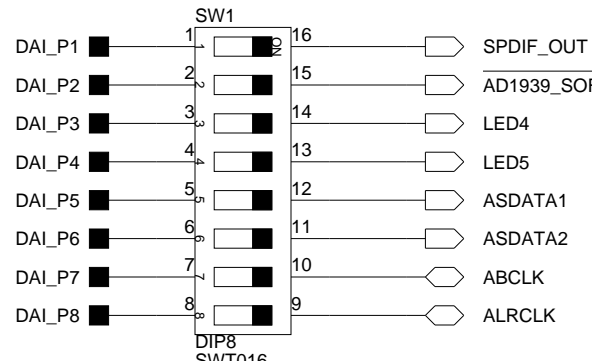
SW3: DPI [1-8] ENABLE  
DEFAULT: ALL ON



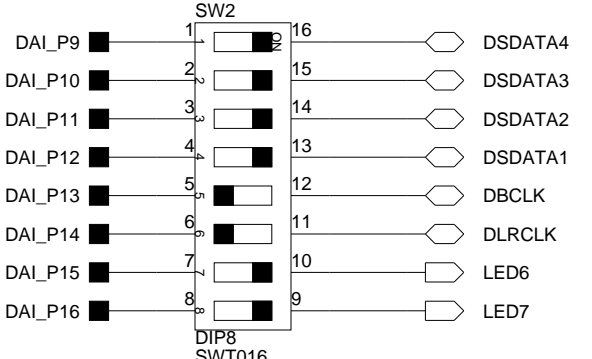
SW14: DPI [9-14] ENABLE  
DEFAULT: ALL ON EXCEPT POS 3 & 4 OFF



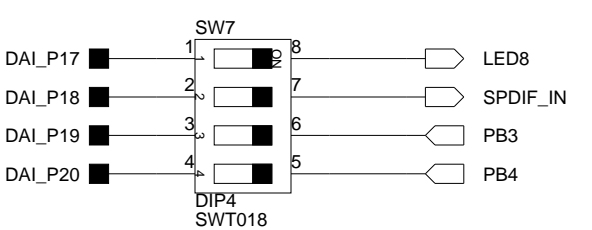
SW1: DAI [1-8] ENABLE  
DEFAULT: ALL ON




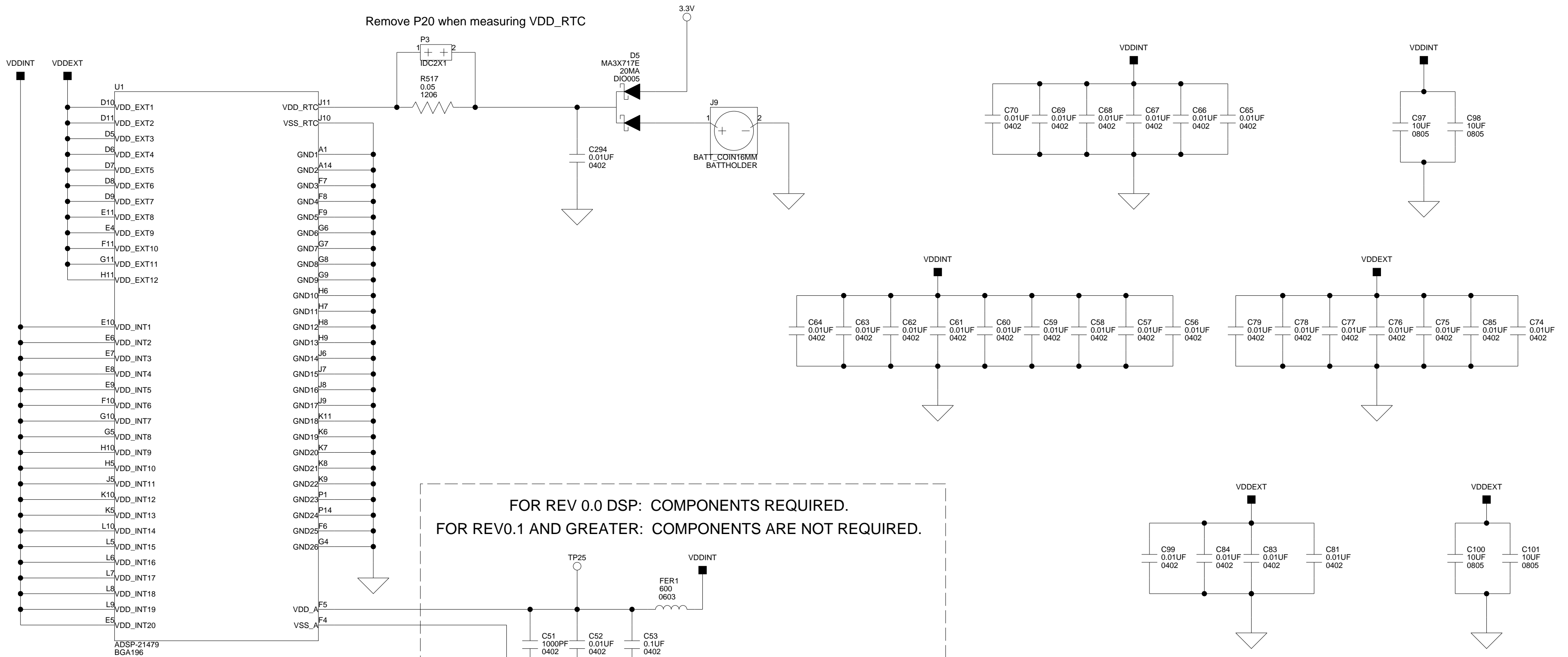
SW2: DPI [9-16] ENABLE  
DEFAULT: ALL ON EXCEPT POS. 5 & 6 OFF



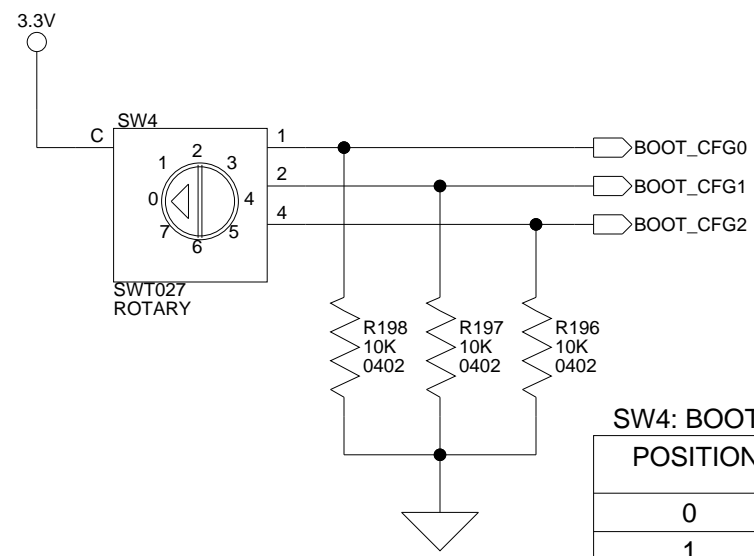
SW7: DPI [17-20] ENABLE  
DEFAULT: ALL ON



		20 Cotton Road Nashua, NH 03063 PH: 1-800-ANALOGD	
		<b>Title</b> ADSP-21479 EZ-BOARD DSP - DAI, DPI, MLB INTERFACES	
<b>Size C</b>	<b>Board No.</b> A0229-2009	<b>Rev</b> 0.1B	
<b>Date</b> 3-18-2010_14:14	<b>Sheet</b> 4 of 17		



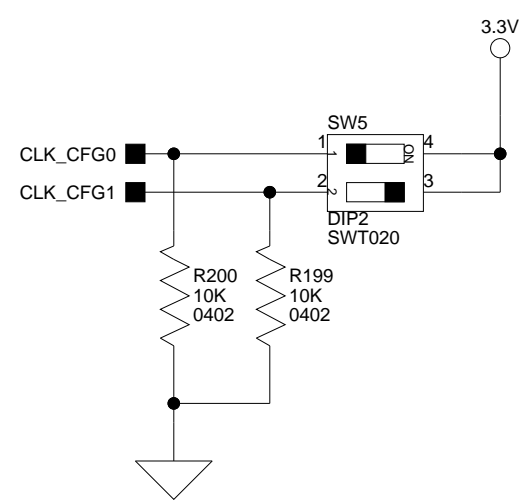
FOR REV 0.0 DSP: COMPONENTS REQUIRED.  
FOR REV0.1 AND GREATER: COMPONENTS ARE NOT REQUIRED.



**SW4: BOOT MODE SELECT**

POSITION	BOOT MODE
0	SPI Slave Boot
1	SPI Master Boot
2	AMI Boot (Parallel Flash)
3,4,5,6 or 7	Reserved

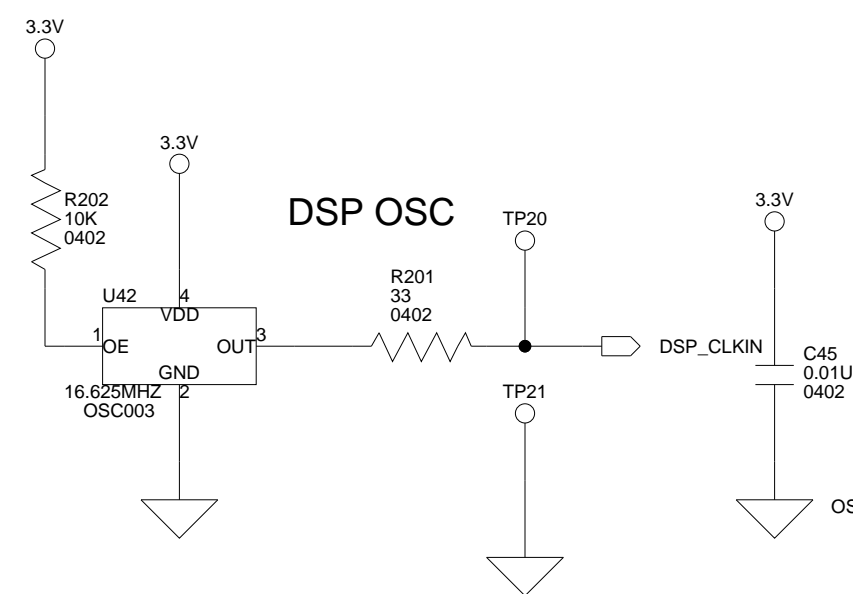
DEFAULT



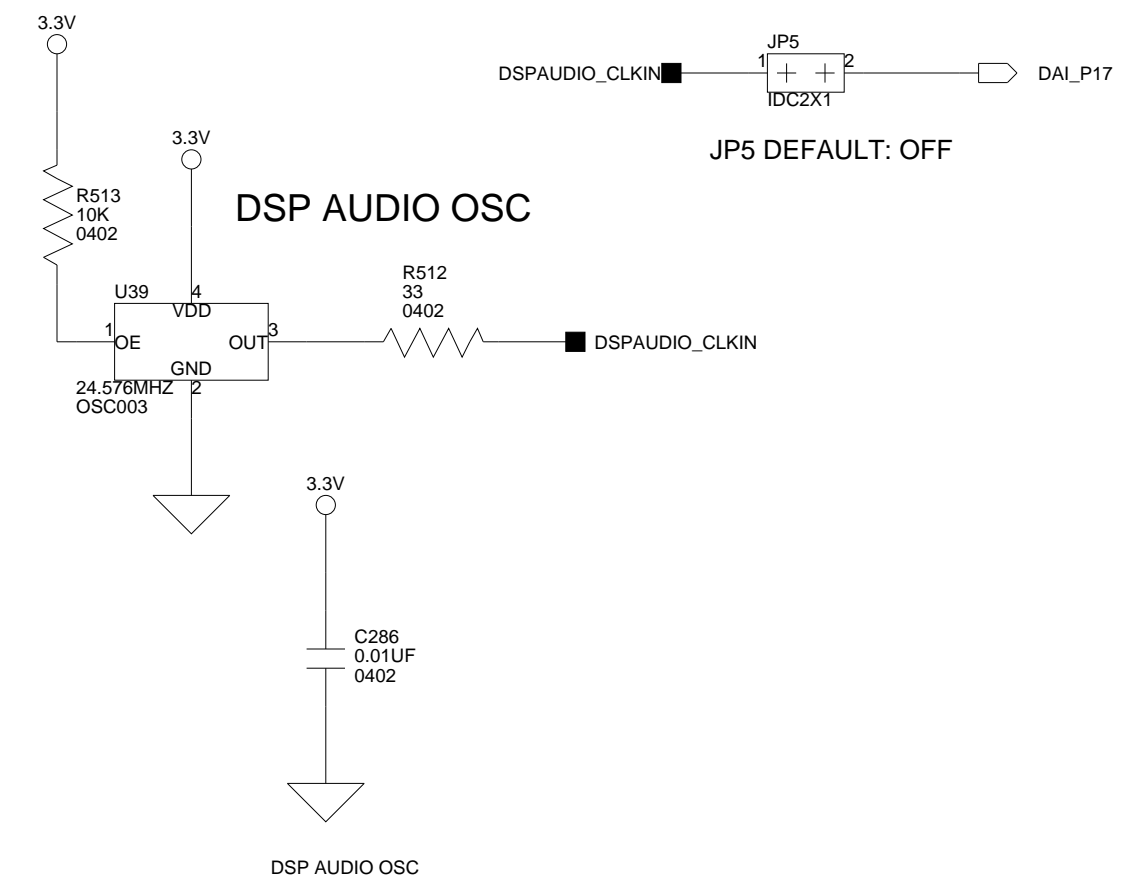
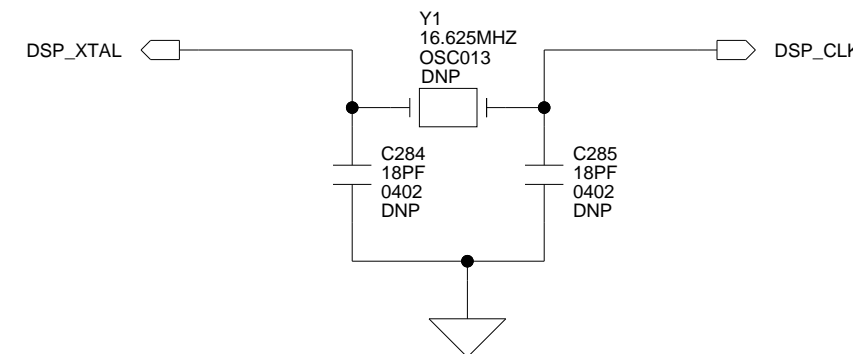
**SW5: DSP CLOCK CONFIG**

1	2	CLOCK RATIO CORE:CLKIN
ON	ON	Reserved
ON	OFF	32:1
OFF	ON	16:1
OFF	OFF	8:1

DEFAULT



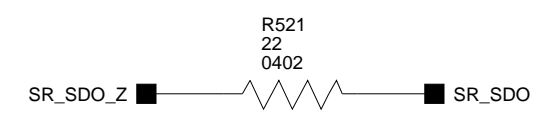
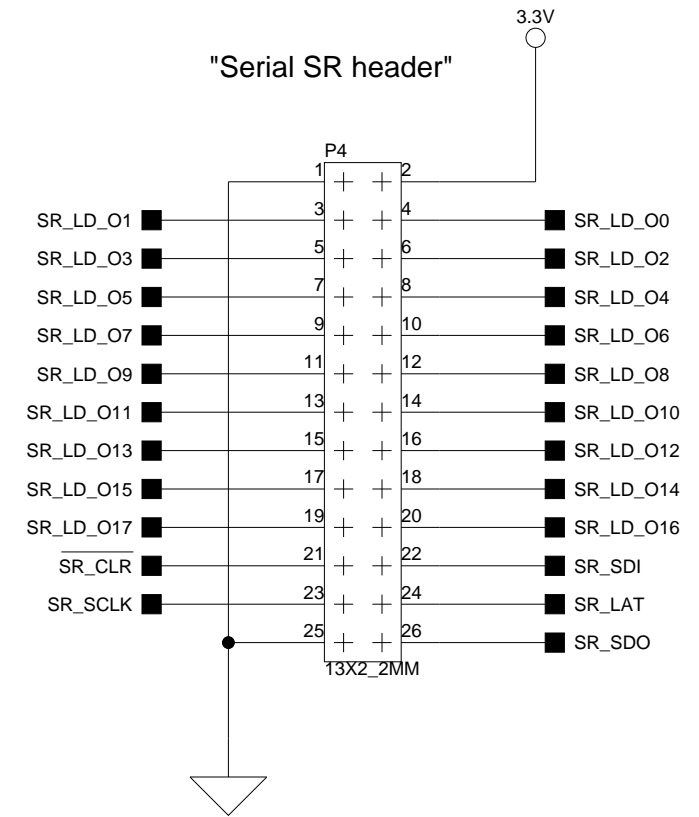
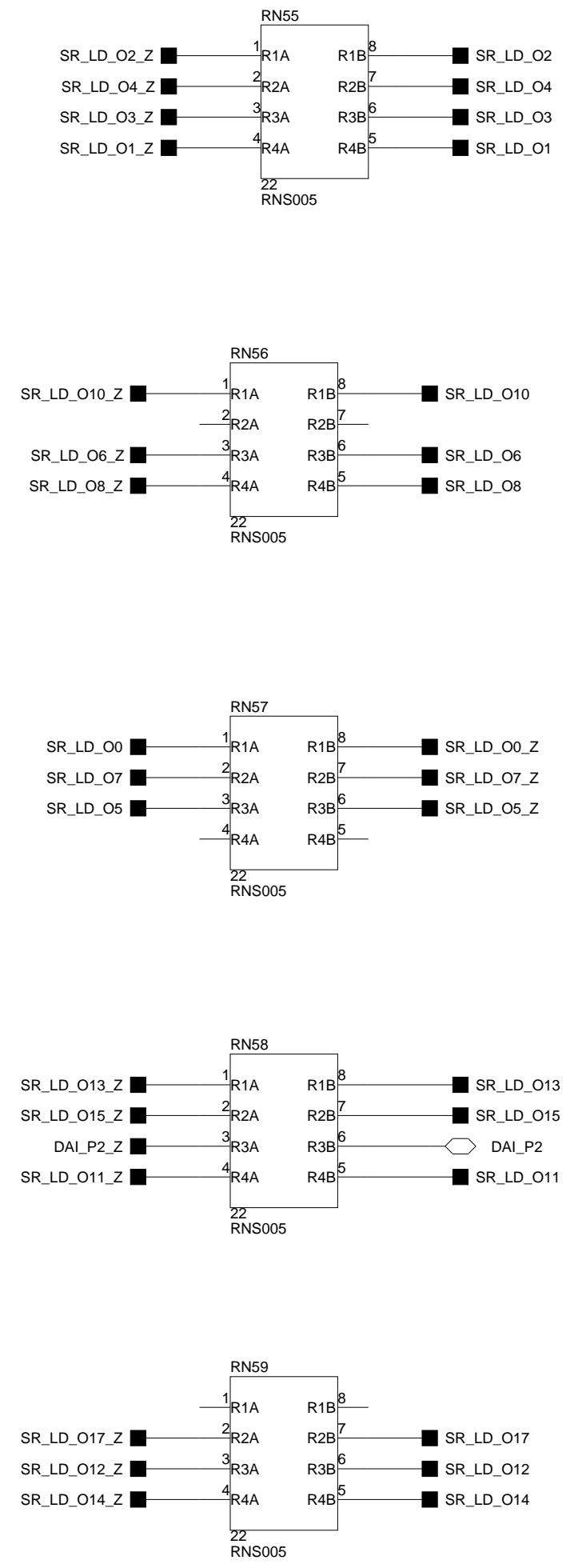
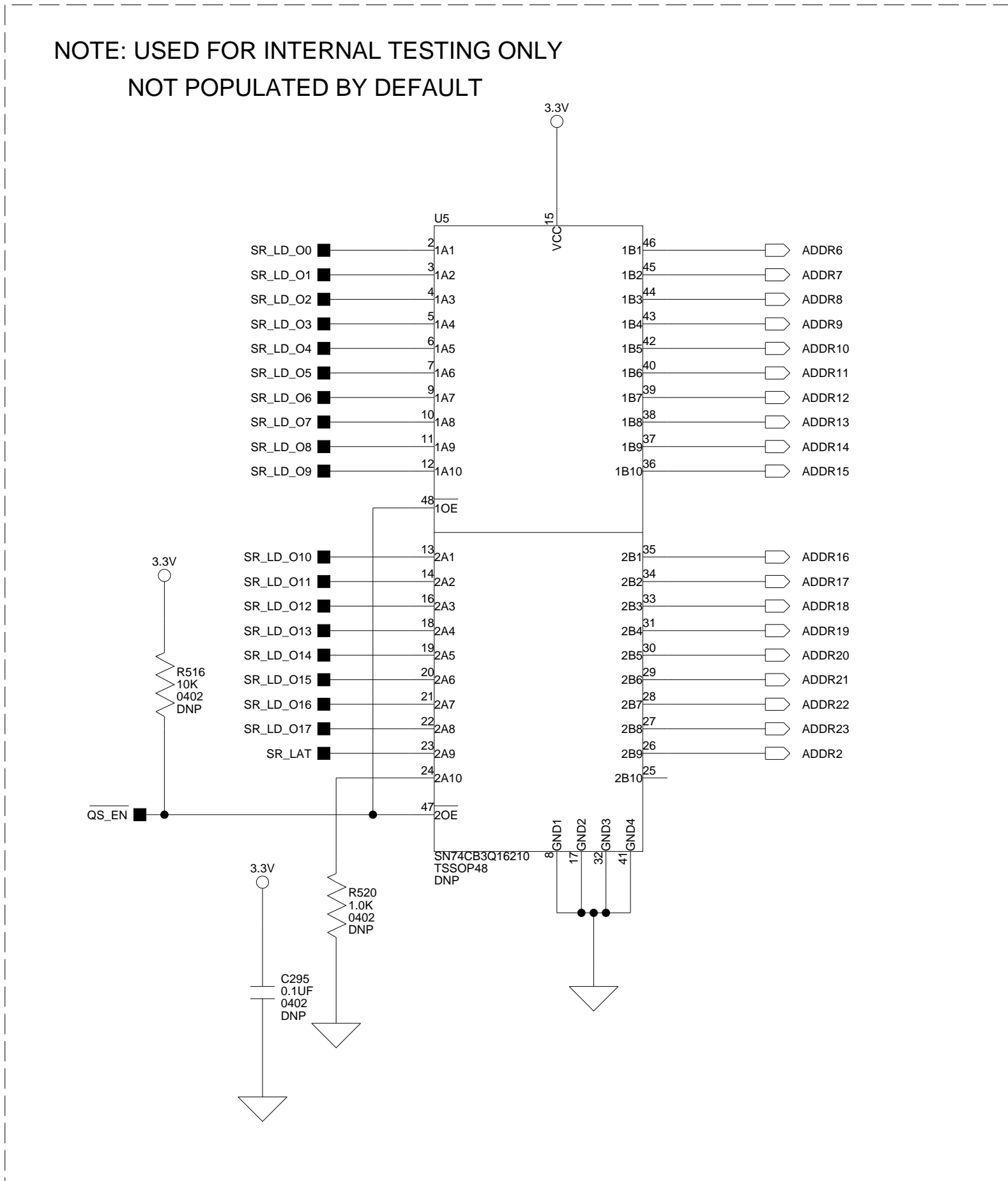
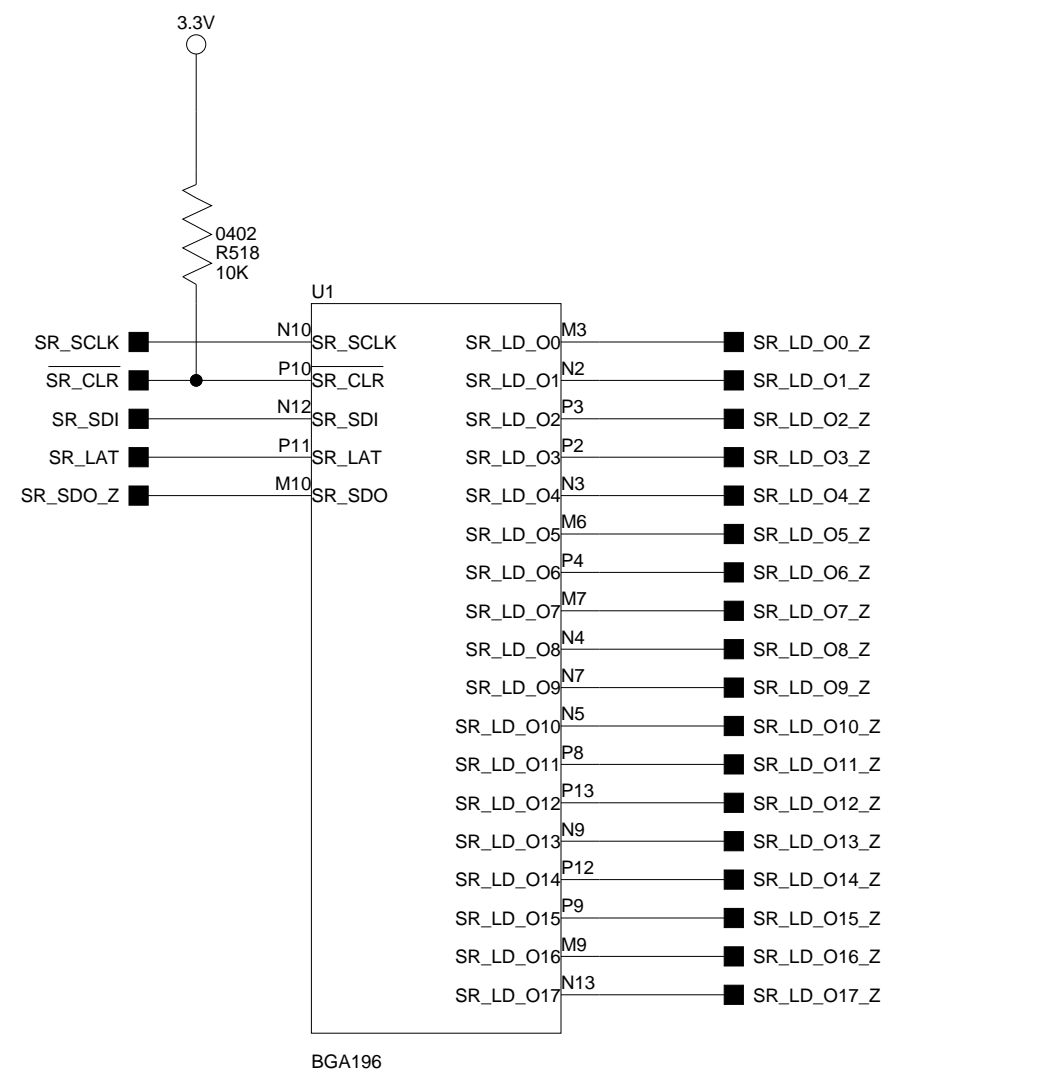
**OPTIONAL DSP CRYSTAL**



**ANALOG DEVICES**

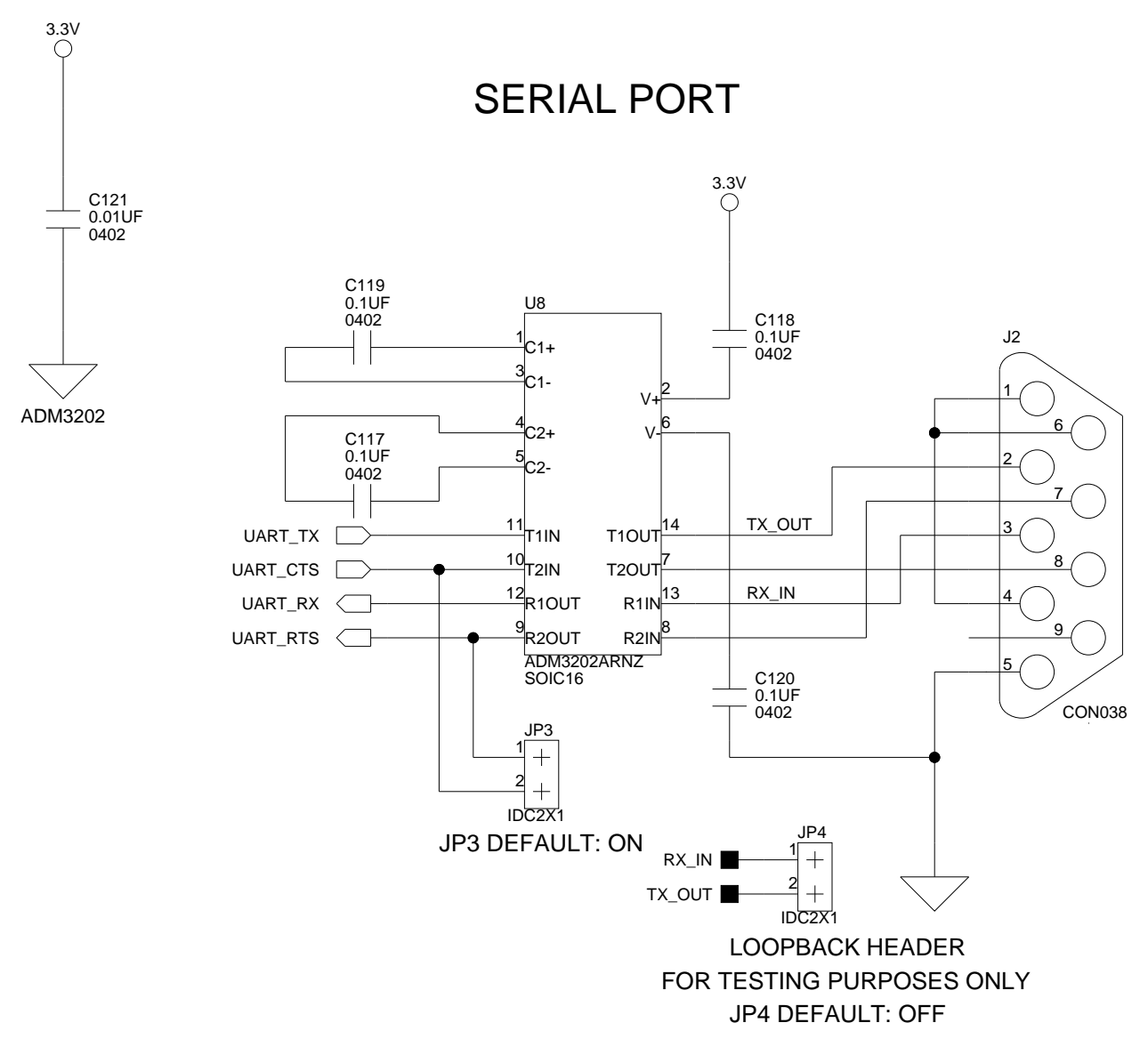
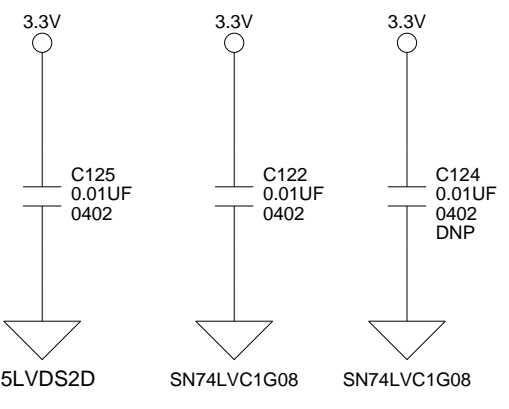
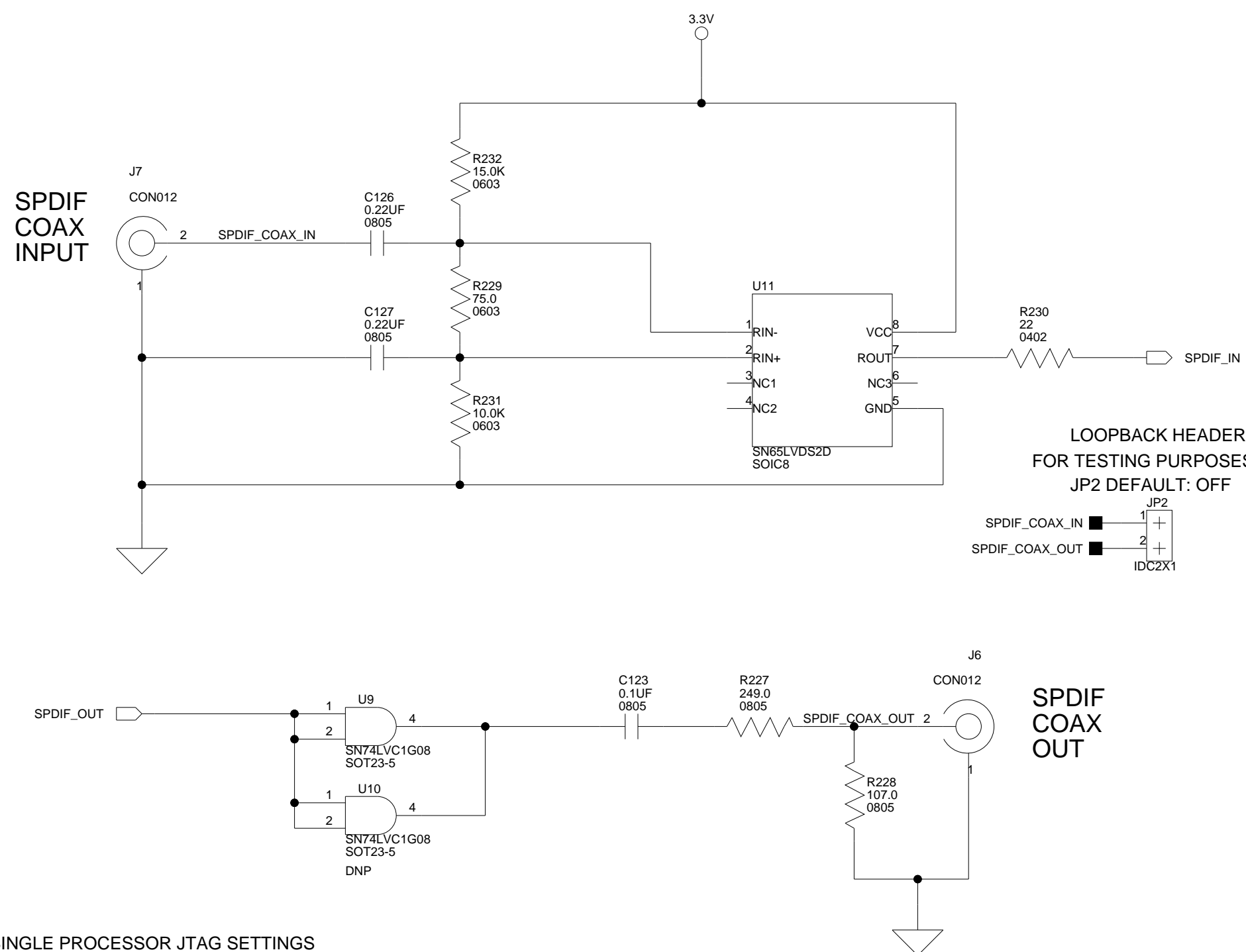
20 Cotton Road  
Nashua, NH 03063  
PH: 1-800-ANALOGD

<b>Title</b> ADSP-21479 EZ-BOARD DSP - POWER, CLKIN		
<b>Size C</b>	<b>Board No.</b> A0229-2009	<b>Rev</b> 0.1B
<b>Date</b> 3-9-2010_15:24	<b>Sheet</b> 5 of	<b>17</b>



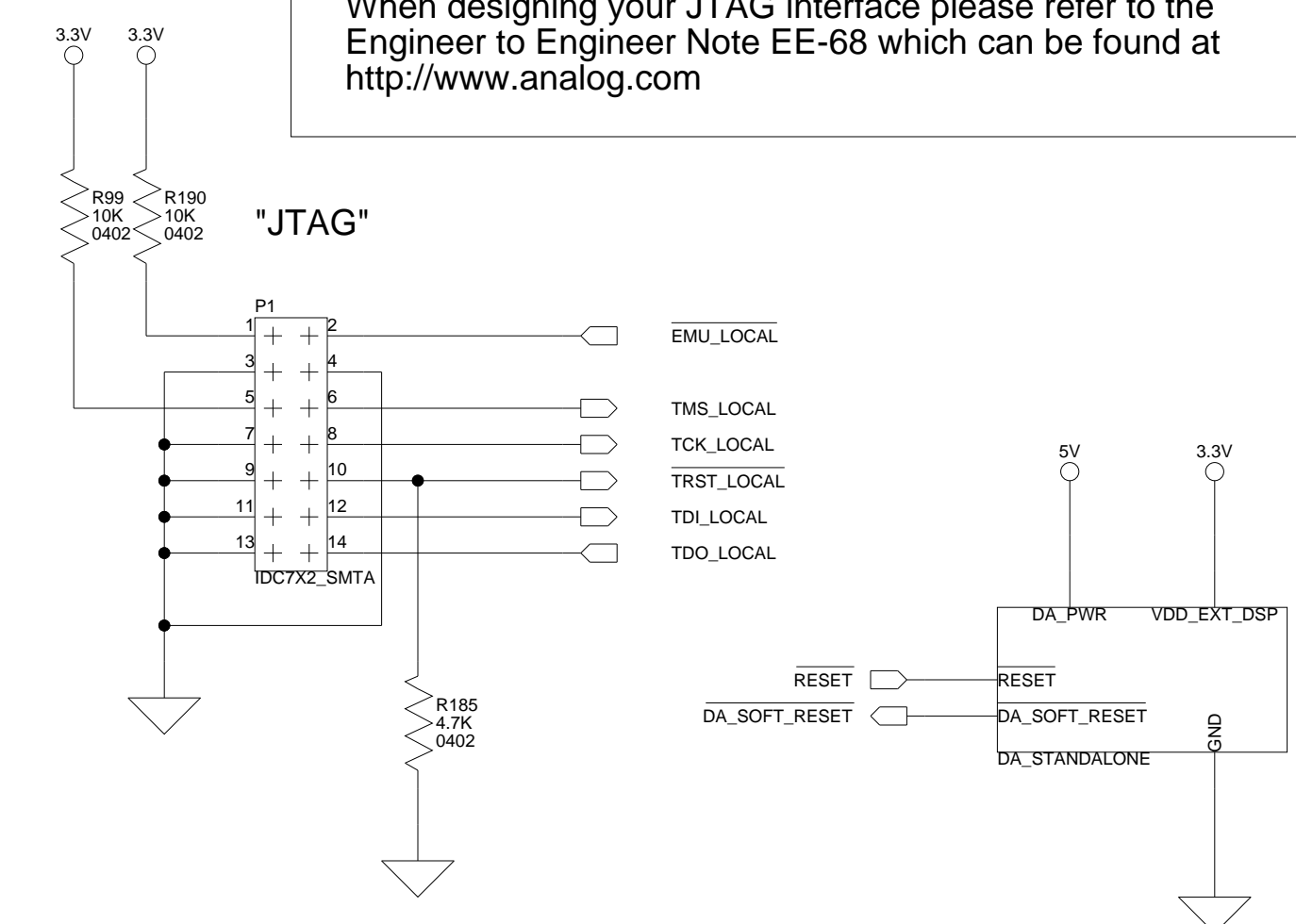
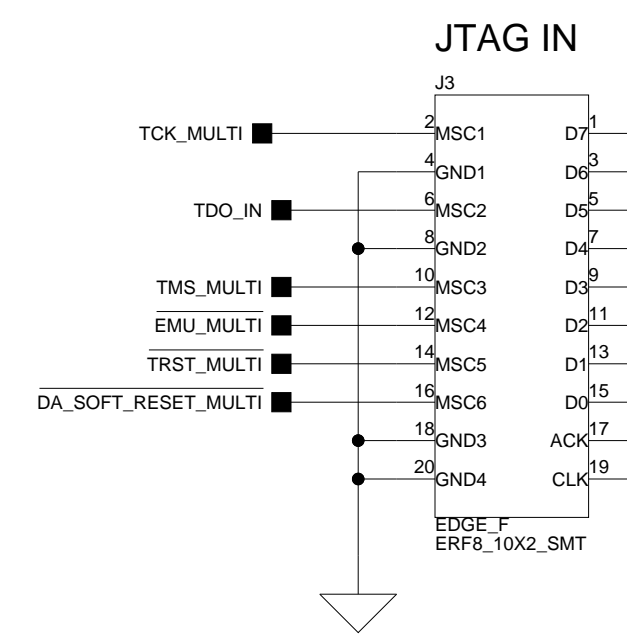
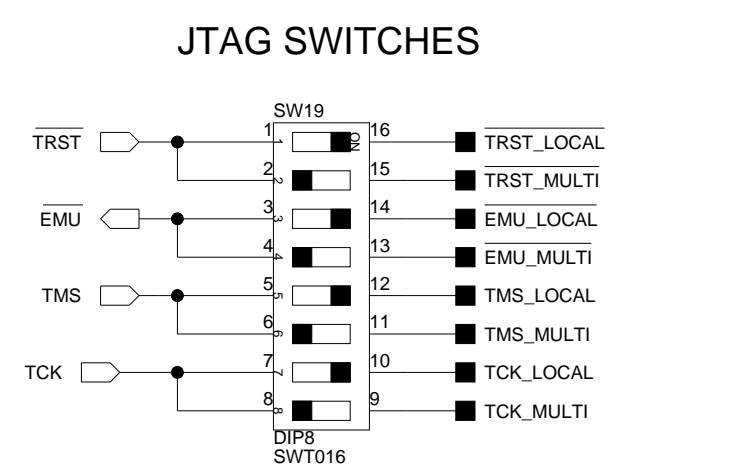
 <b>ANALOG DEVICES</b>		20 Cotton Road Nashua, NH 03063 PH: 1-800-ANALOGD	
		<b>Title</b> ADSP-21479 EZ-BOARD DSP SHIFT REGISTER INTERFACE	
<b>Size C</b>	<b>Board No.</b>	<b>Rev</b>	
	A0229-2009	0.1B	
<b>Date</b>	3-9-2010_15:24	<b>Sheet</b>	6 of 17





SINGLE PROCESSOR JTAG SETTINGS  
VIA HP-USB EMUALTOR OR DEBUG AGENT (DEFAULT)

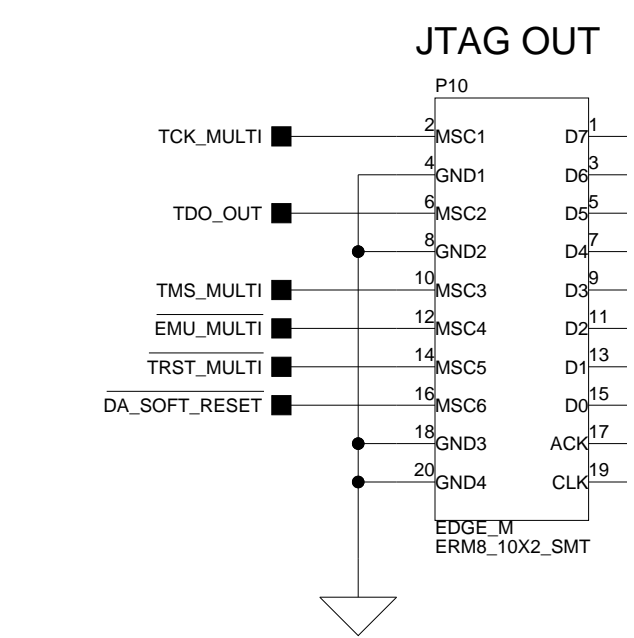
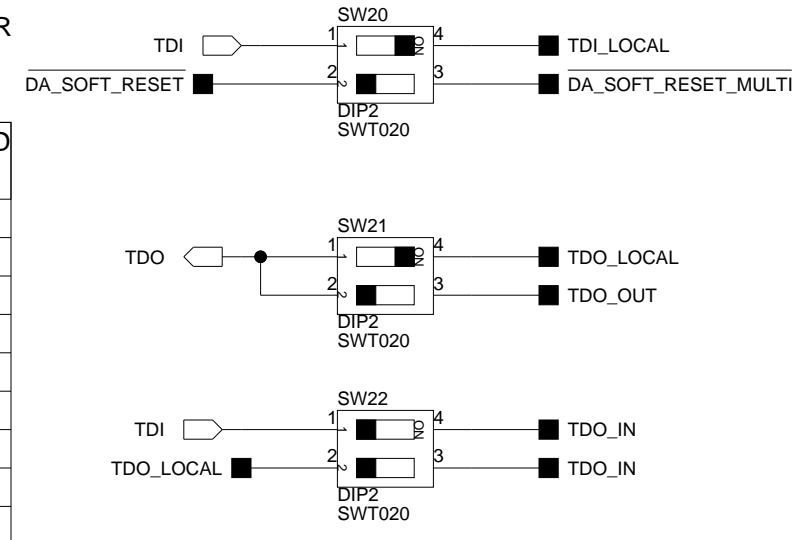
SWITCH	BOARD ATTACHED TO EMULATOR
SW19.1	ON
SW19.2	OFF
SW19.3	ON
SW19.4	OFF
SW19.5	ON
SW19.6	OFF
SW19.7	ON
SW19.8	OFF
SW20.1	ON
SW20.2	OFF
SW21.1	ON
SW21.2	OFF
SW22.1	OFF
SW22.2	OFF



All debug agent interface circuitry is considered proprietary and has been omitted from this schematic. When designing your JTAG interface please refer to the Engineer to Engineer Note EE-68 which can be found at <http://www.analog.com>

MULTI PROCESSOR JTAG SETTINGS VIA HP-USB EMUALTOR USING TWO OR MORE EZ-BOARDS (LINK PORT CABLES REQUIRED FOR MORE THAN TWO BOARDS)

SWITCH	BOARD ATTACHED TO EMULATOR	BOARD(S) NOT ATTACHED TO EMULATOR
SW19.1	ON	OFF
SW19.2	ON	ON
SW19.3	ON	OFF
SW19.4	ON	ON
SW19.5	ON	OFF
SW19.6	ON	ON
SW19.7	ON	OFF
SW19.8	ON	ON
SW20.1	ON	OFF
SW20.2	OFF	OFF
SW21.1	OFF	OFF
SW21.2	ON	ON
SW22.1	OFF	ON
SW22.2	ON	OFF

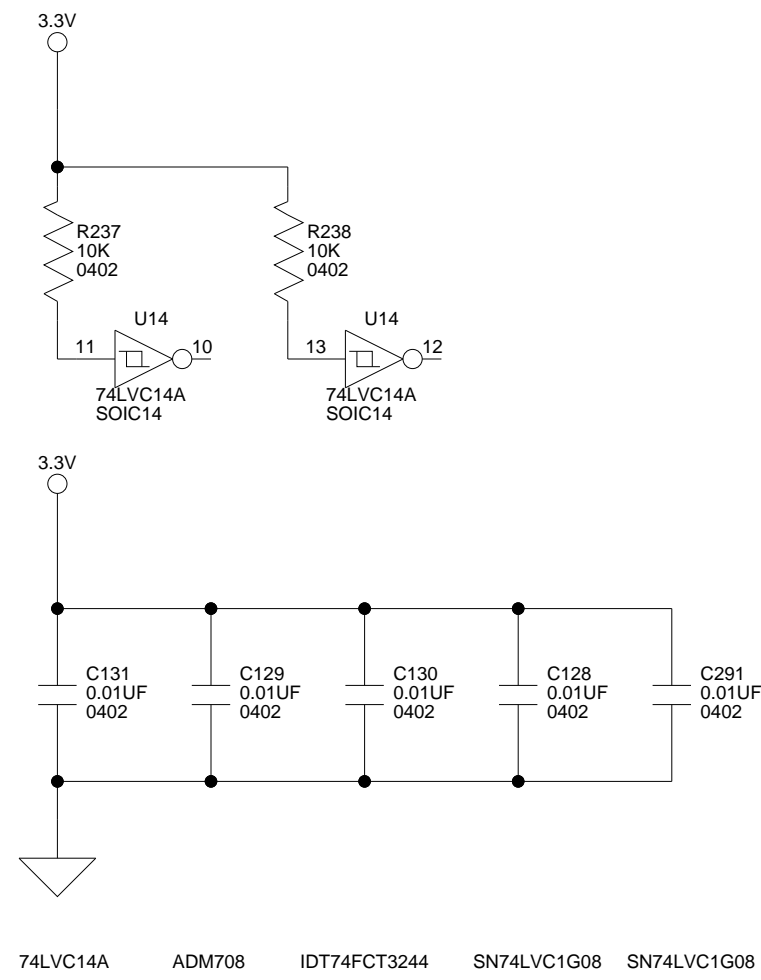
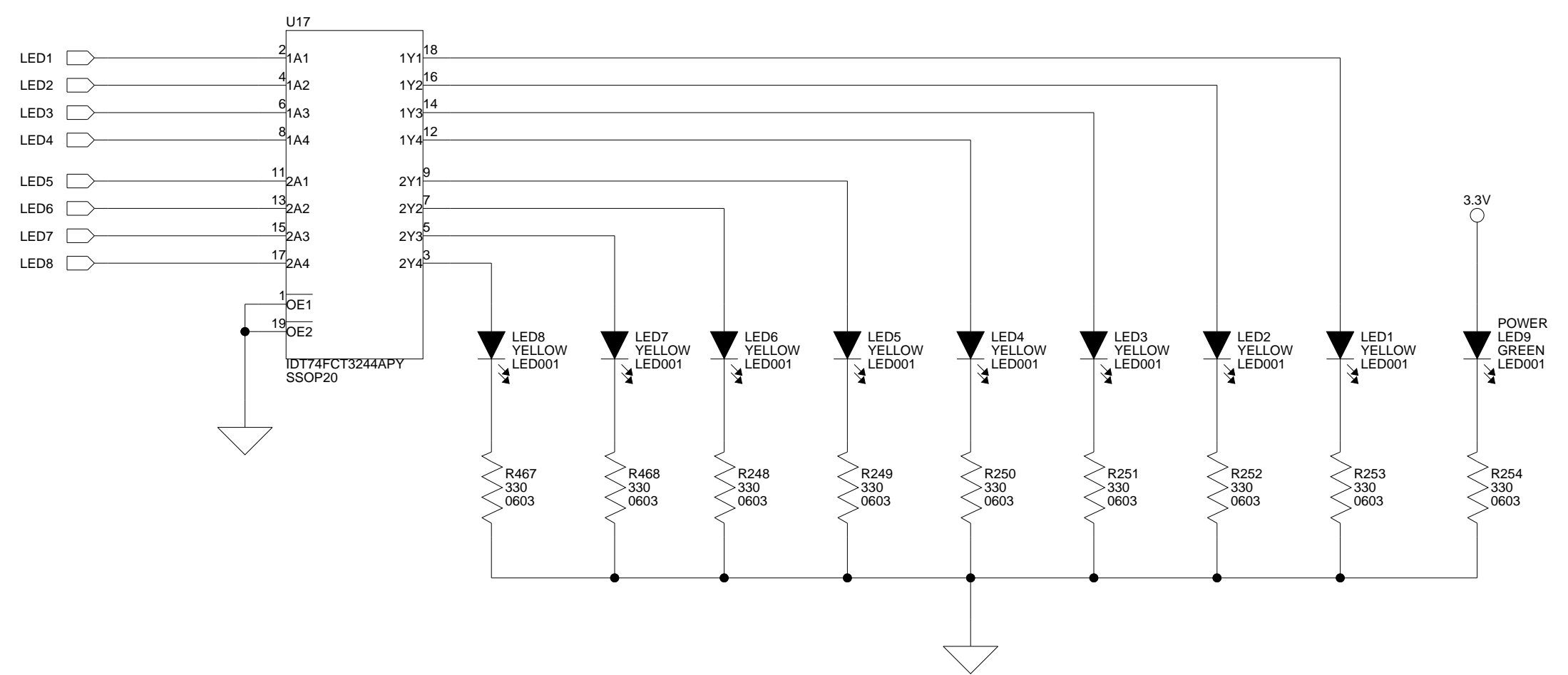
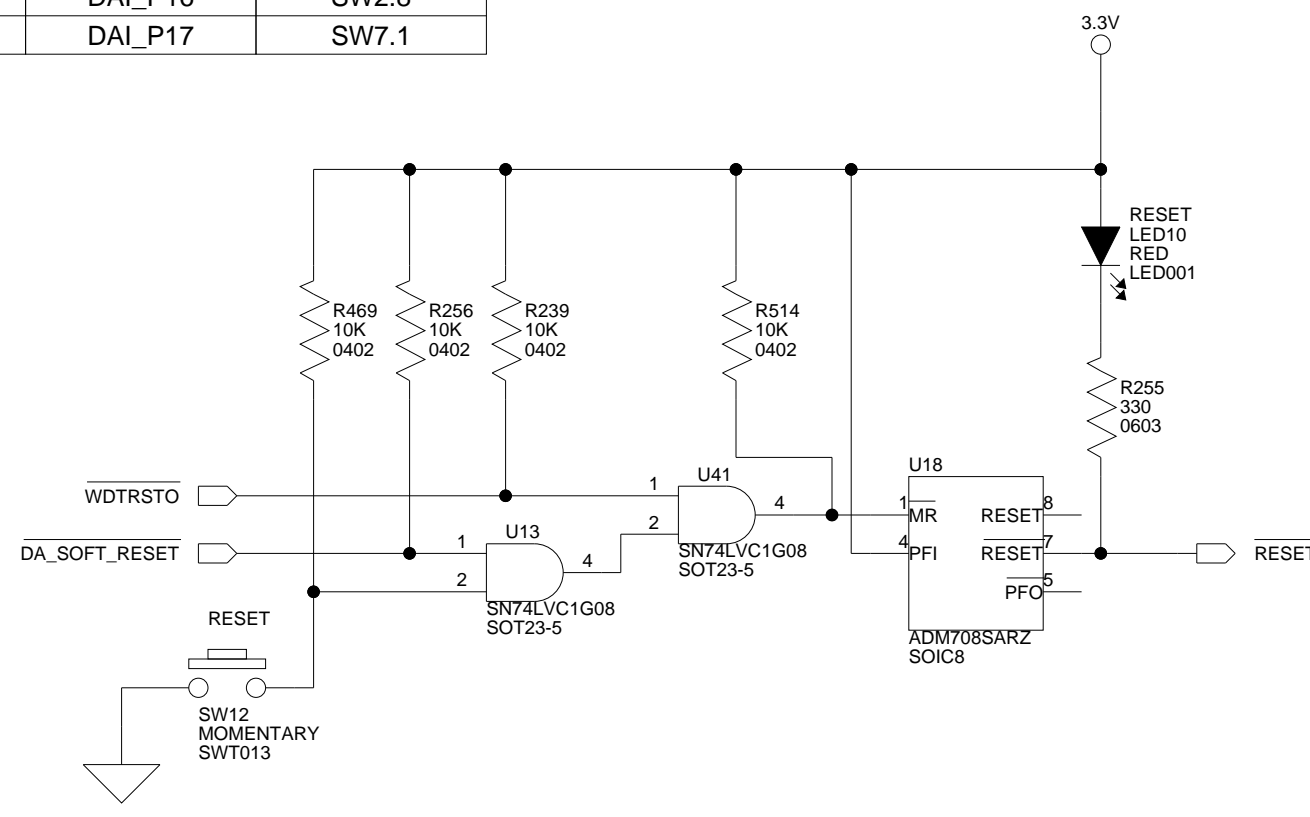
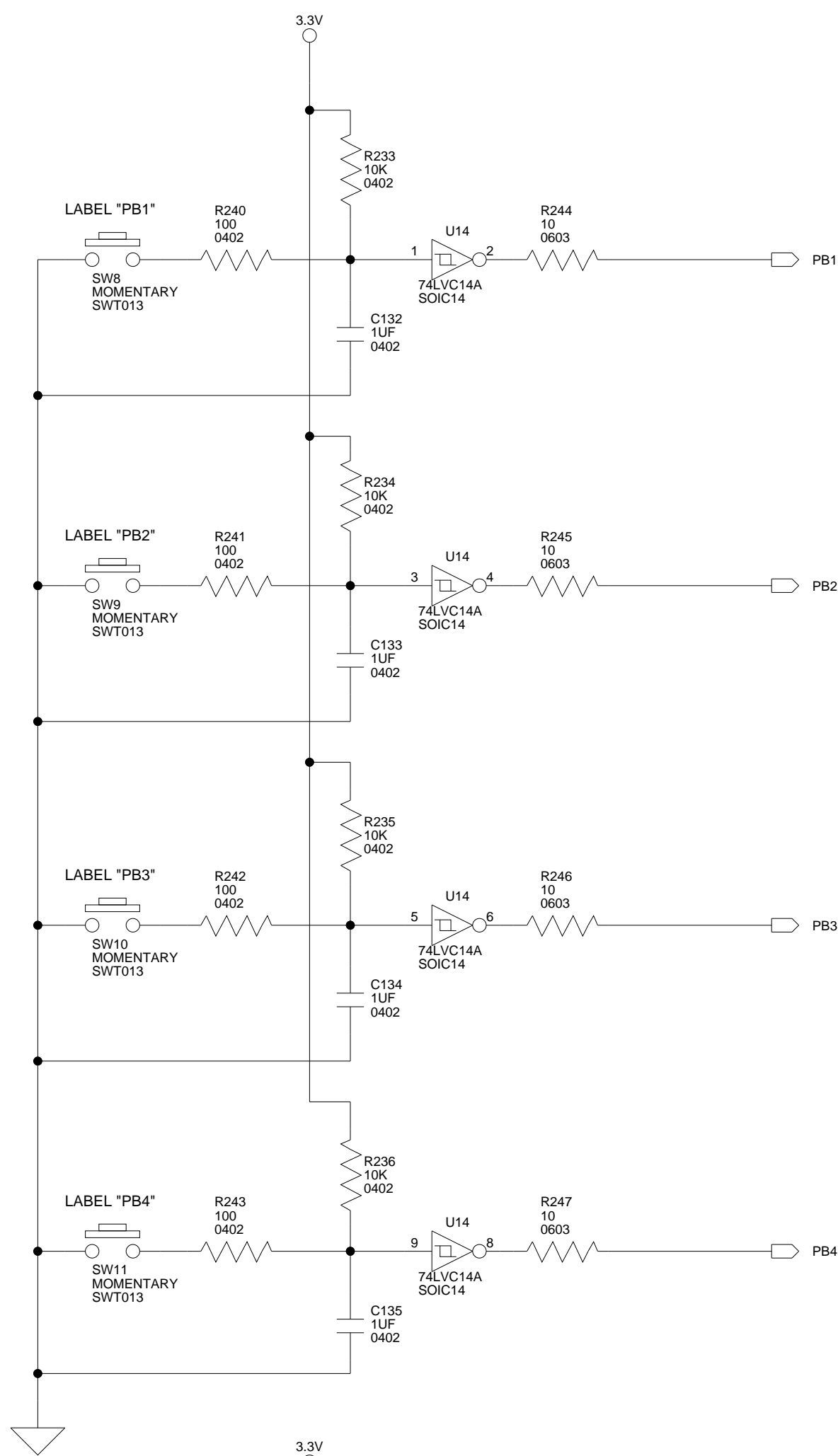


**ANALOG DEVICES**

20 Cotton Road  
Nashua, NH 03063  
PH: 1-800-ANALOGD

<b>Title</b>		<b>ADSP-21479 EZ-BOARD SPDIF, RS-232, JTAG INTERFACES</b>	
<b>Size C</b>	<b>Board No.</b>	<b>A0229-2009</b>	<b>Rev</b>
<b>Date</b>	3-15-2010_15:12	<b>Sheet</b>	7 of 17

COMPONENT	DSP PIN	CONNECTED VIA SWITCH
PB1	FLAG1/IRQ1	SW13.4
PB2	FLAG2/IRQ2/MS2	SW13.5
PB3	DAI_P19	SW7.3
PB4	DAI_P20	SW7.4
LED1	DPI_P6	SW3.6
LED2	DPI_P13	SW14.5
LED3	DPI_P14	SW14.6
LED4	DAI_P3	SW1.3
LED5	DAI_P4	SW1.4
LED6	DAI_P15	SW2.7
LED7	DAI_P16	SW2.8
LED8	DAI_P17	SW7.1



74LVC14A ADM708 IDT74FCT3244 SN74LVC1G08 SN74LVC1G08

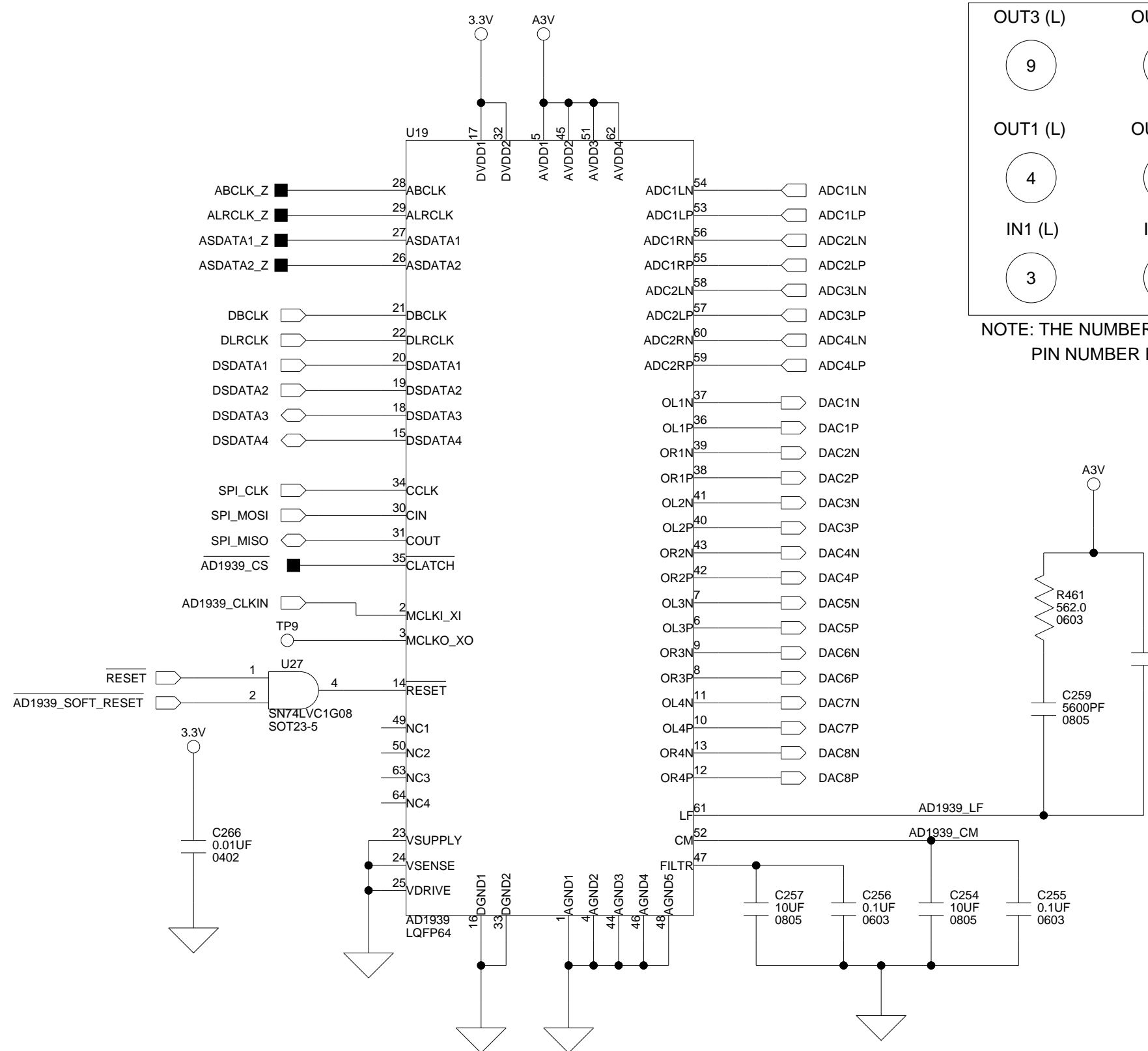
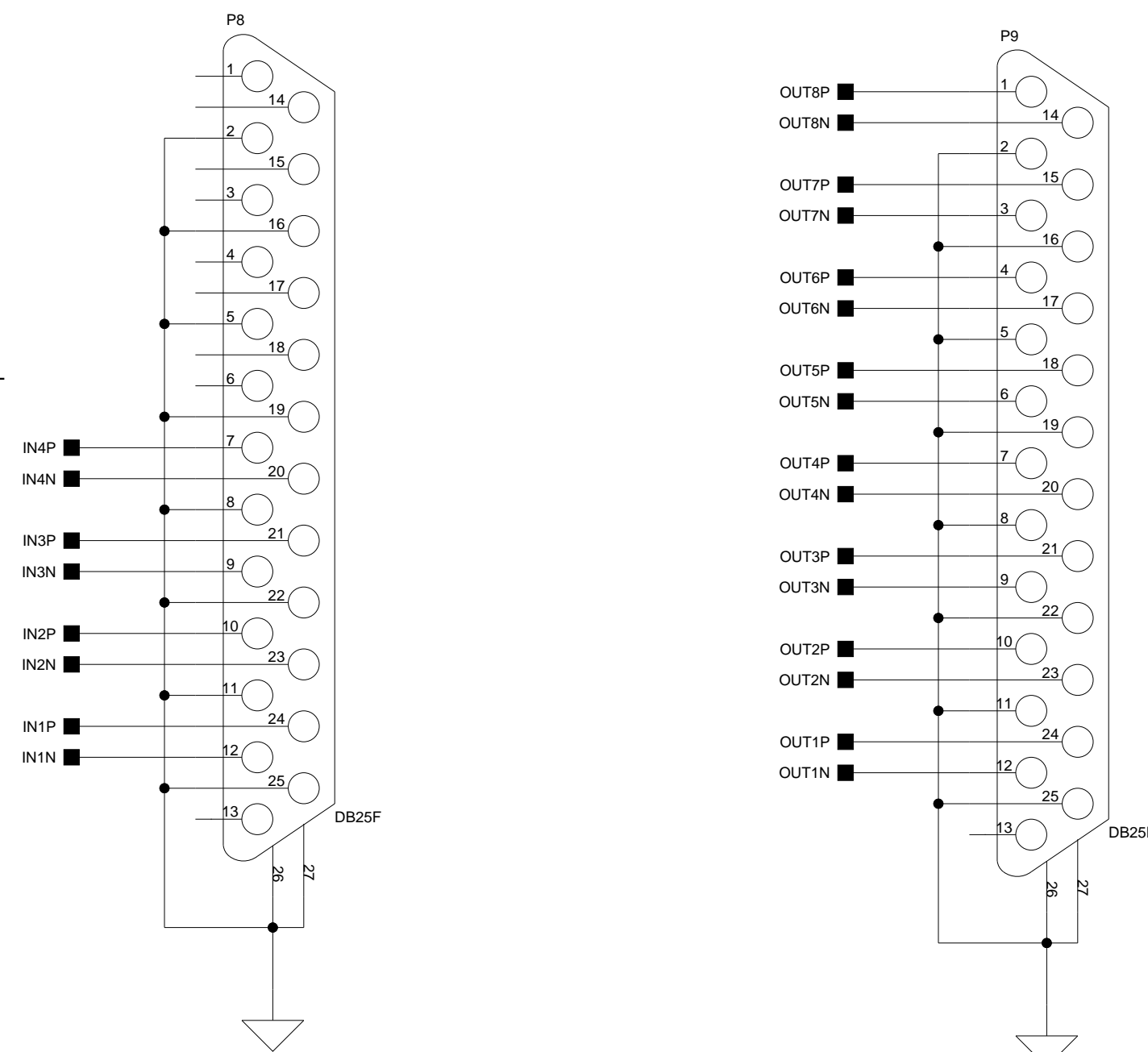
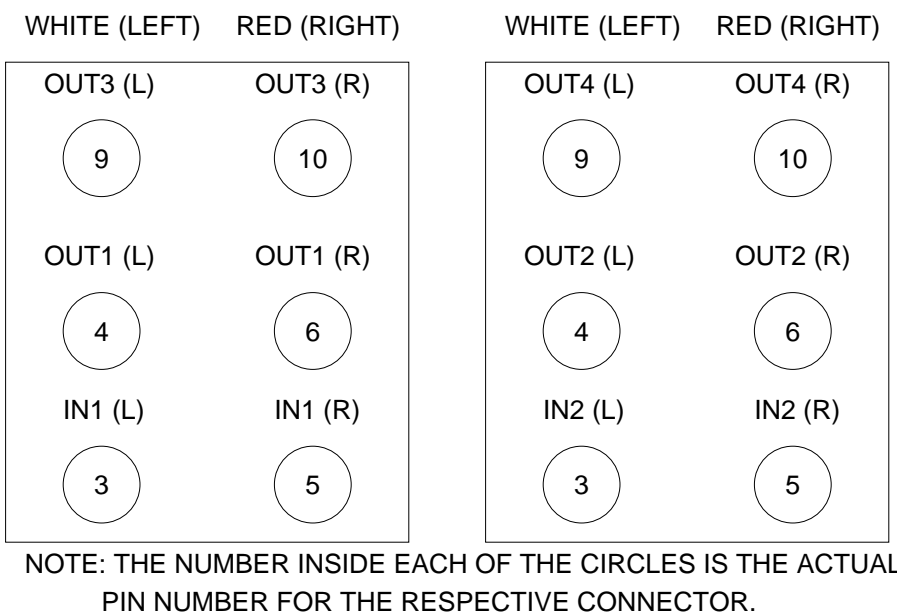
20 Cotton Road  
Nashua, NH 03063  
PH: 1-800-ANALOGD

Title			<b>ADSP-21479 EZ-BOARD</b>		
RESET CIRCUIT, PUSHBUTTONS, LEDS					
Size C	Board No.	A0229-2009		Rev	0.1B
Date	3-9-2010_15:24		Sheet	8 of	17

J4

J5

DB25 Female Connectors for Conversion to XLR Connectors

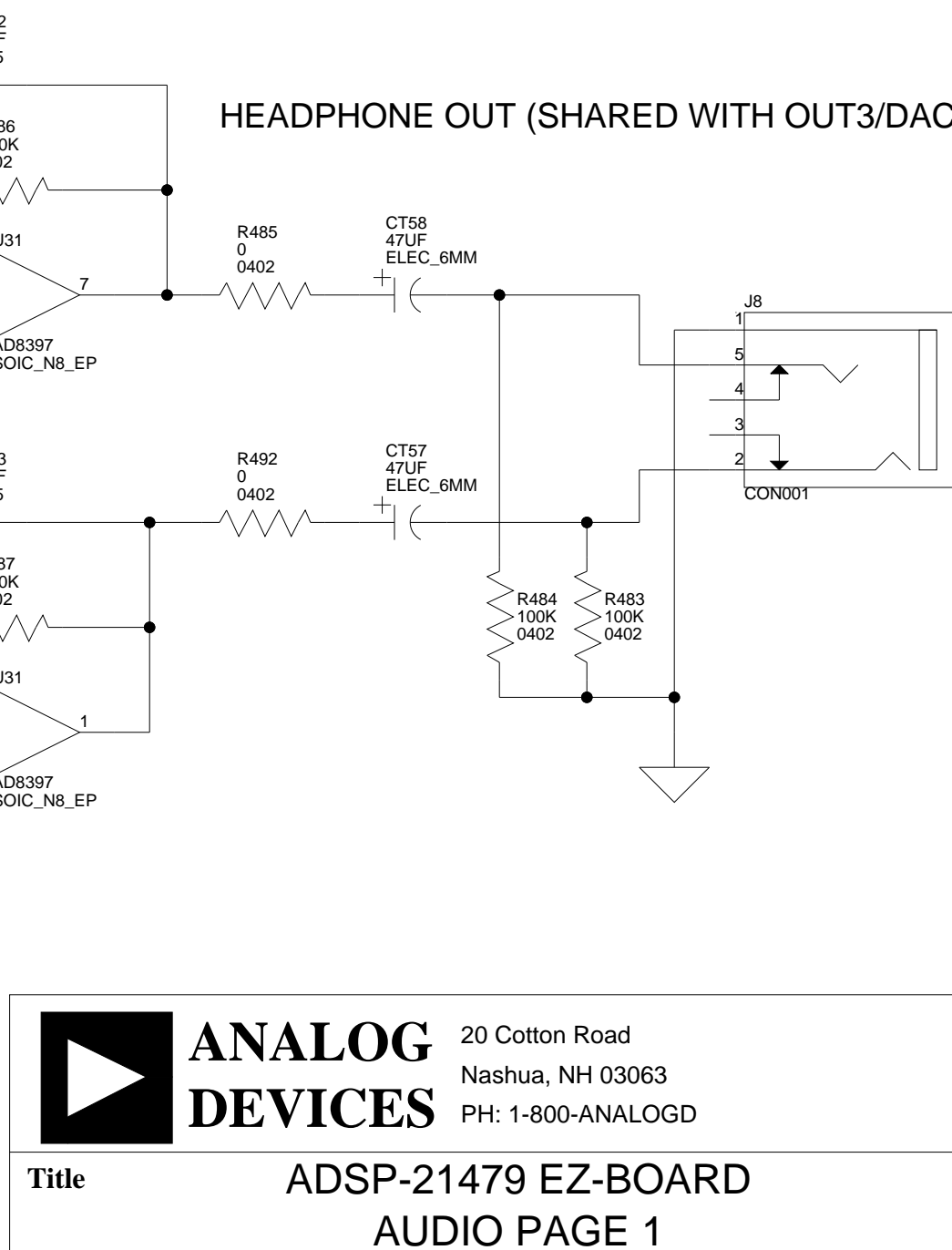
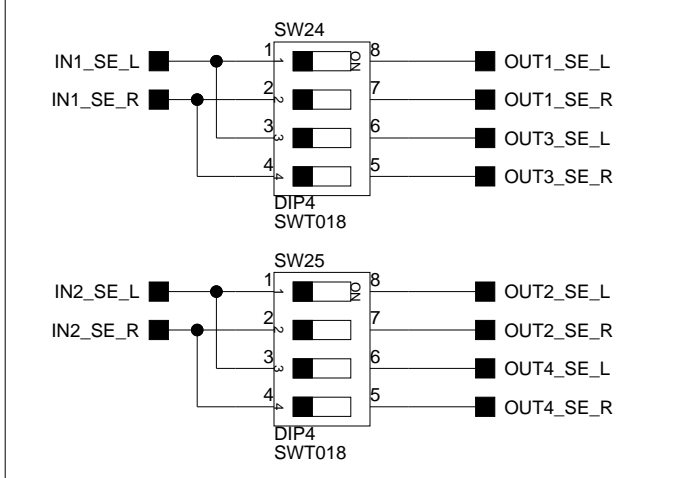


HEADPHONE OUT (SHARED WITH OUT3/DAC5&6)

SW23: HEAD PHONE ENABLE  
DEFAULT: ALL OFF

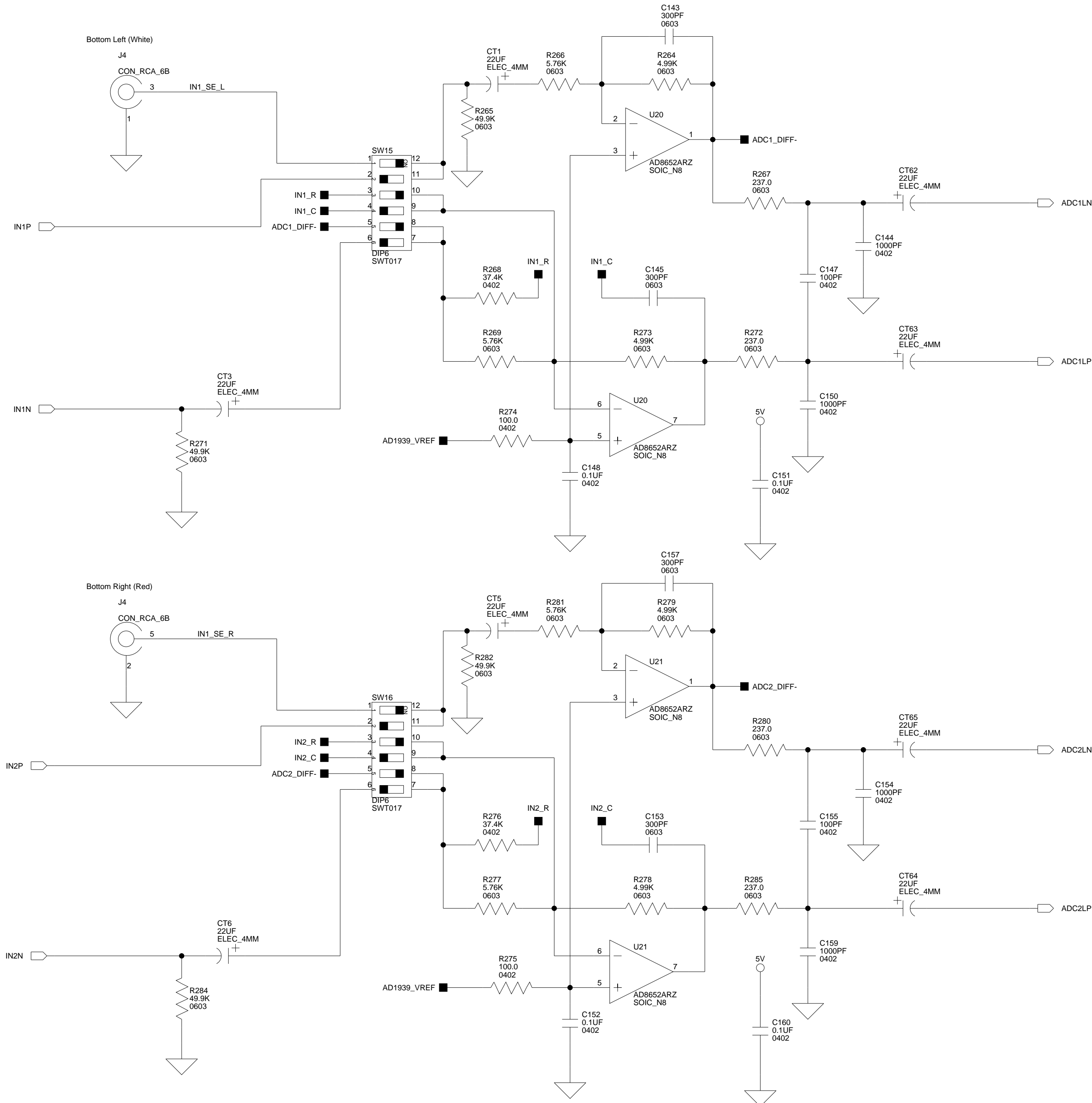
NOTE: A USER NEEDS TO TURN SWITCH SW23 ON IN ORDER TO USE THE HEAD PHONE CONNECTOR.

LOOPBACK CONNECTOR FOR TESTING PURPOSES ONLY  
DEFAULT: ALL OFF



		20 Cotton Road Nashua, NH 03063 PH: 1-800-ANALOGD	
Title <b>ADSP-21479 EZ-BOARD</b> <b>AUDIO PAGE 1</b>			
Size <b>C</b>	Board No. <b>A0229-2009</b>	Rev <b>0.1B</b>	
Date <b>3-9-2010_15:24</b>	Sheet <b>9</b> of <b>17</b>		

# IN1



### IN1 (LEFT) SETTINGS

SWITCH	SINGLE ENDED USE	DIFFERENTIAL USE
	RCA IN (DEFAULT)	DB25 IN (P8)
SW15.1	ON	OFF
SW15.2	OFF	ON
SW15.3	ON	OFF
SW15.4	OFF	ON
SW15.5	ON	OFF
SW15.6	OFF	ON

NOTE: DIFFERENTIAL USE REQUIRES A DB25 TO XLR CABLE.

### IN1 (RIGHT) SETTINGS

SWITCH	SINGLE ENDED USE	DIFFERENTIAL USE
	RCA IN (DEFAULT)	DB25 IN (P8)
SW16.1	ON	OFF
SW16.2	OFF	ON
SW16.3	ON	OFF
SW16.4	OFF	ON
SW16.5	ON	OFF
SW16.6	OFF	ON

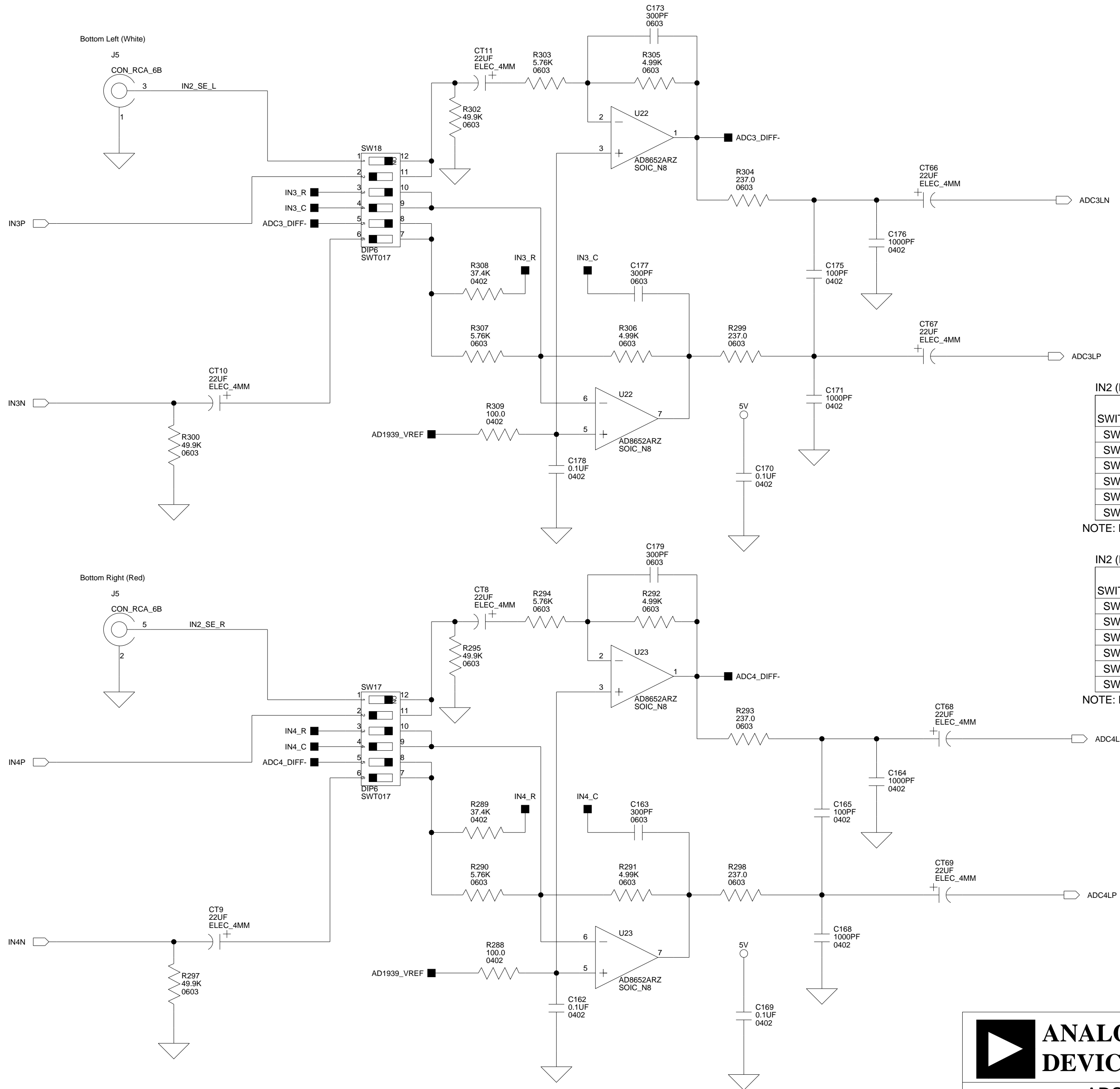
NOTE: DIFFERENTIAL USE REQUIRES A DB25 TO XLR CABLE.

**ANALOG DEVICES**

20 Cotton Road  
Nashua, NH 03063  
PH: 1-800-ANALOGD

Title			<b>ADSP-21479 EZ-BOARD AUDIO PAGE 2</b>		
Size <b>C</b>	Board No.	A0229-2009			Rev 0.1B
Date	3-15-2010_15:12			Sheet	10 of 17

# IN2



### IN2 (LEFT) SETTINGS

SWITCH	SINGLE ENDED USE RCA IN (DEFAULT)	DIFFERENTIAL USE DB25 IN (P8)
SW18.1	ON	OFF
SW18.2	OFF	ON
SW18.3	ON	OFF
SW18.4	OFF	ON
SW18.5	ON	OFF
SW18.6	OFF	ON

NOTE: DIFFERENTIAL USE REQUIRES A DB25 TO XLR CABLE.

### IN2 (RIGHT) SETTINGS

SWITCH	SINGLE ENDED USE RCA IN (DEFAULT)	DIFFERENTIAL USE DB25 IN (P8)
SW17.1	ON	OFF
SW17.2	OFF	ON
SW17.3	ON	OFF
SW17.4	OFF	ON
SW17.5	ON	OFF
SW17.6	OFF	ON

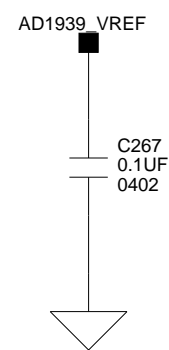
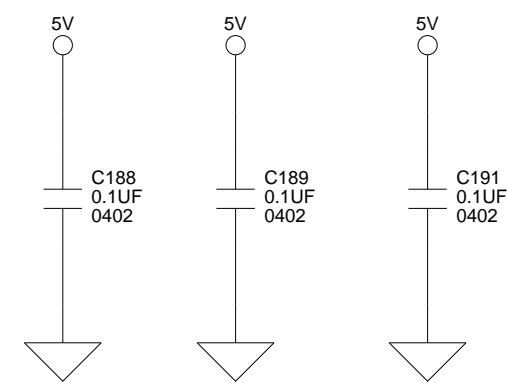
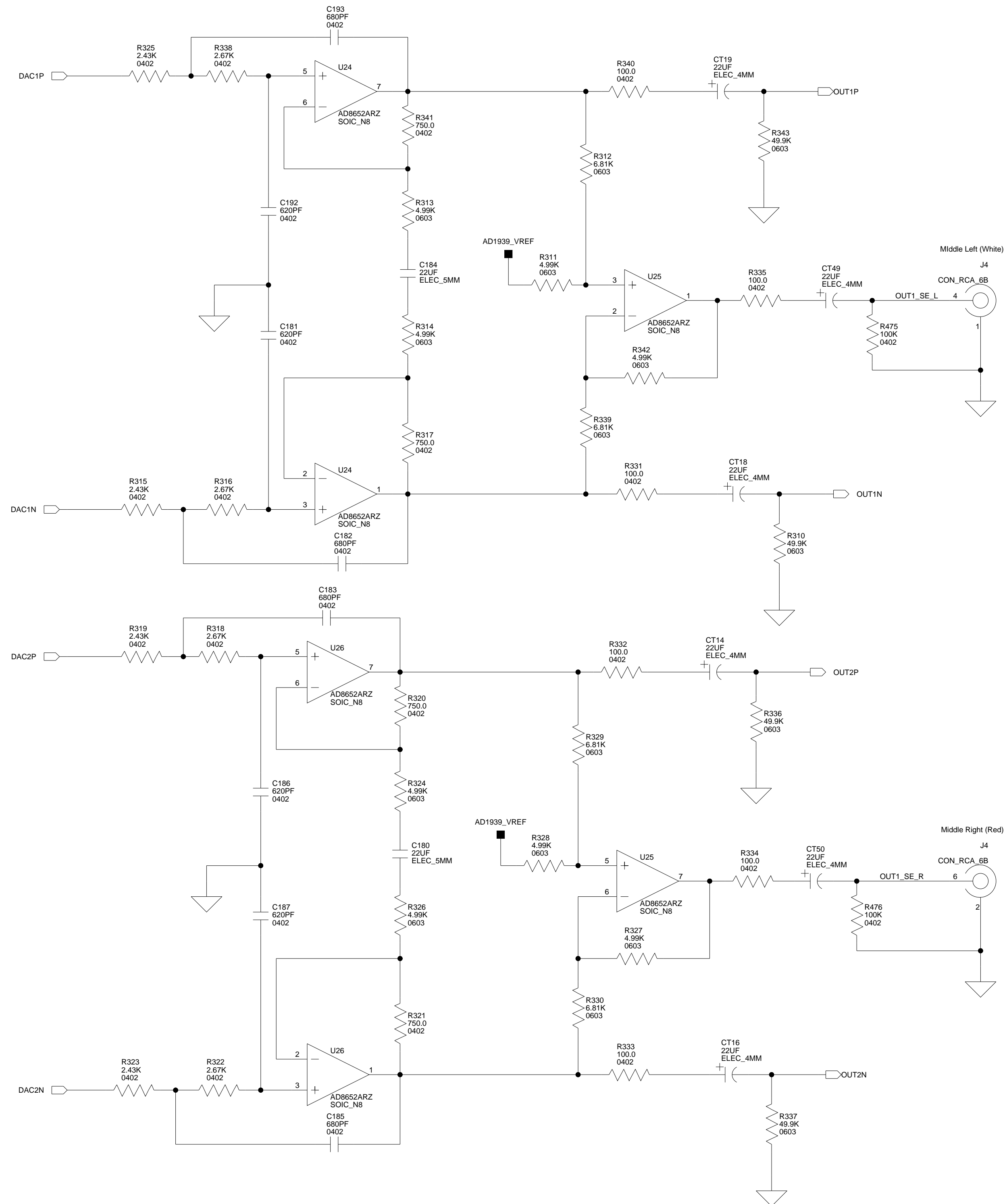
NOTE: DIFFERENTIAL USE REQUIRES A DB25 TO XLR CABLE.

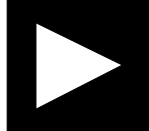
**ANALOG DEVICES**

20 Cotton Road  
Nashua, NH 03063  
PH: 1-800-ANALOGD

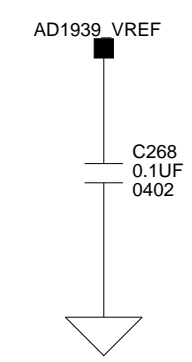
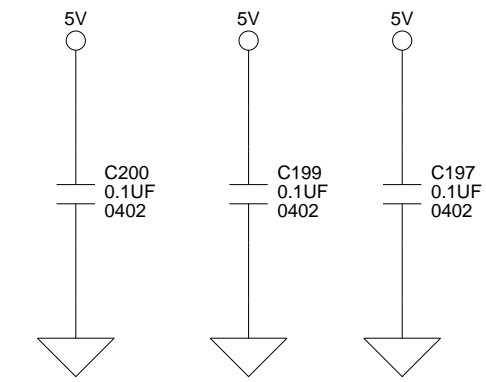
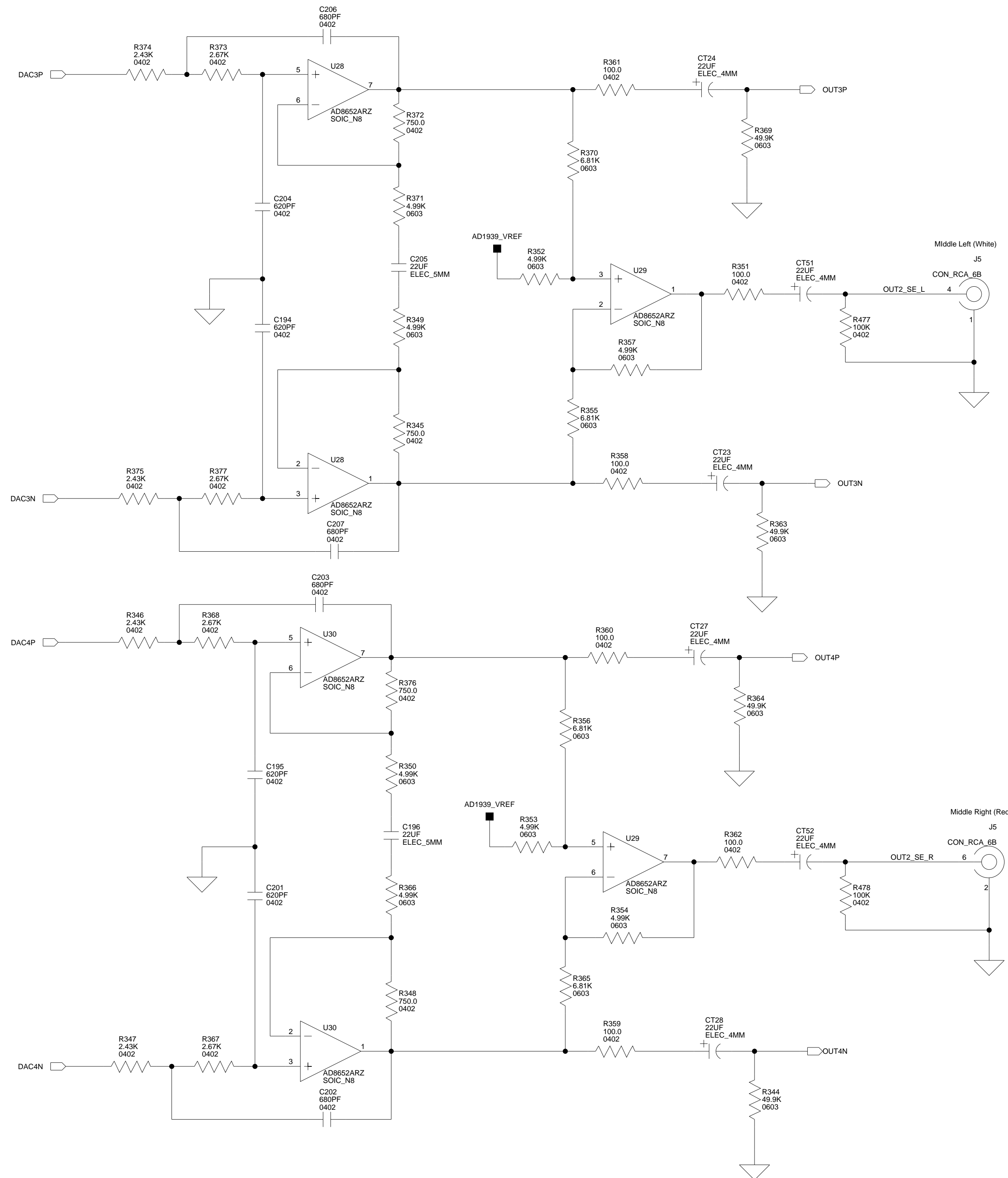
Title			ADSP-21479 EZ-BOARD AUDIO PAGE 3		
Size C	Board No.	A0229-2009			Rev
Date	3-15-2010_15:12	Sheet	11 of	17	0.1B

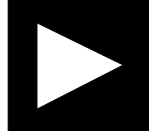
# OUT1



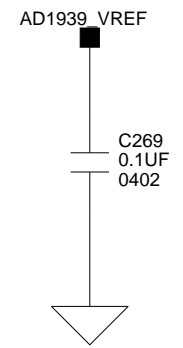
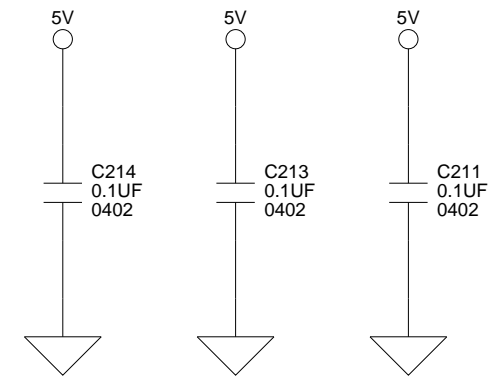
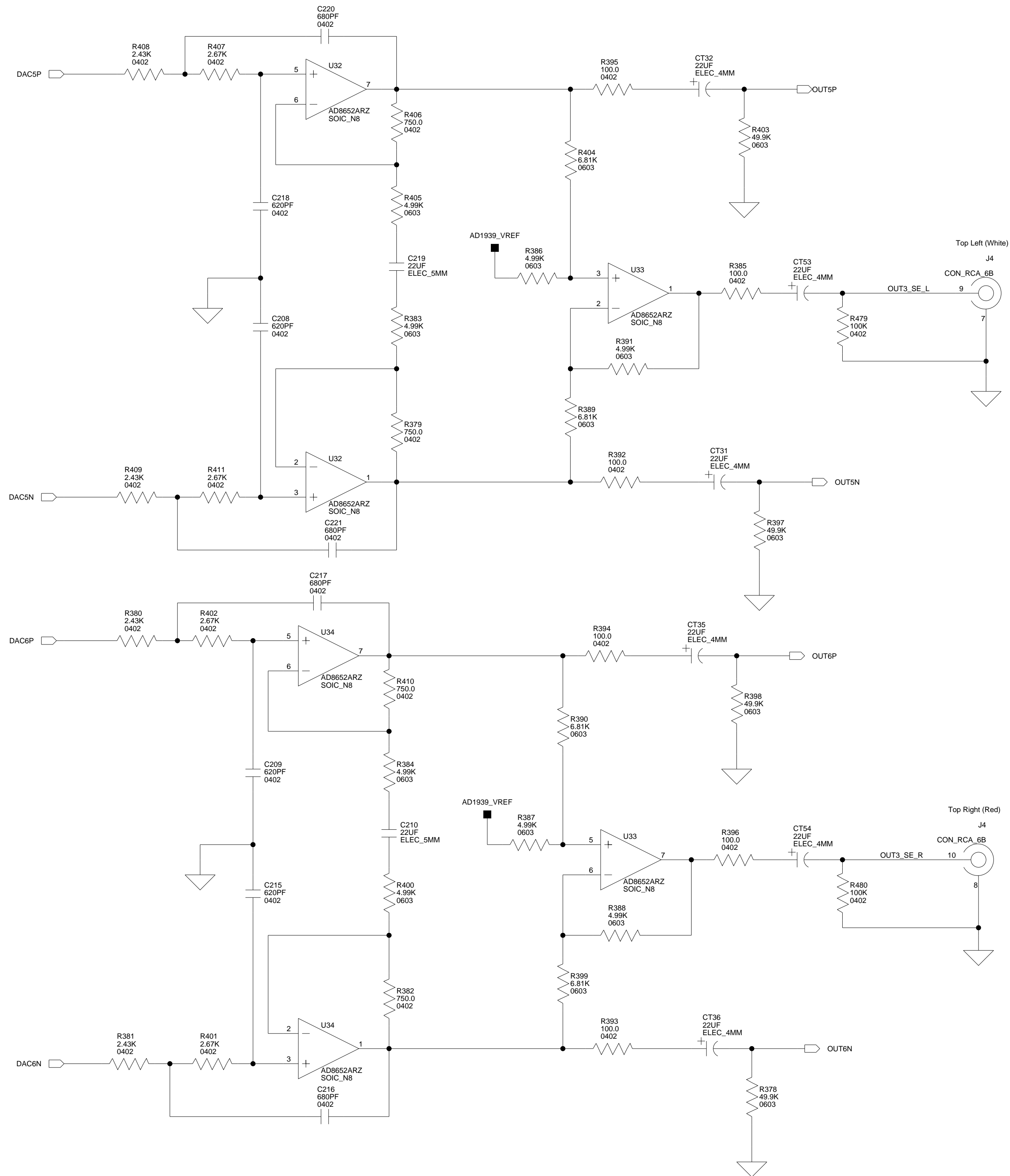
 <b>ANALOG DEVICES</b>		20 Cotton Road Nashua, NH 03063 PH: 1-800-ANALOGD	
		<b>Title</b> ADSP-21479 EZ-BOARD AUDIO PAGE 4	
<b>Size</b> C	<b>Board No.</b> A0229-2009	<b>Rev</b> 0.1B	
<b>Date</b> 3-15-2010_15:12	<b>Sheet</b> 12 of 17		

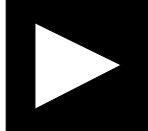
# OUT2



 <b>ANALOG DEVICES</b>		20 Cotton Road Nashua, NH 03063 PH: 1-800-ANALOGD	
		<b>Title</b> ADSP-21479 EZ-BOARD AUDIO PAGE 5	
<b>Size C</b>	<b>Board No.</b>	<b>Rev</b>	
	A0229-2009	0.1B	
<b>Date</b>	3-15-2010_15:12	<b>Sheet</b>	13 of 17

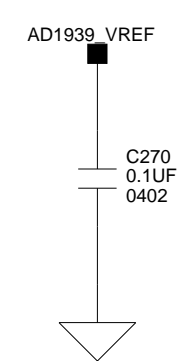
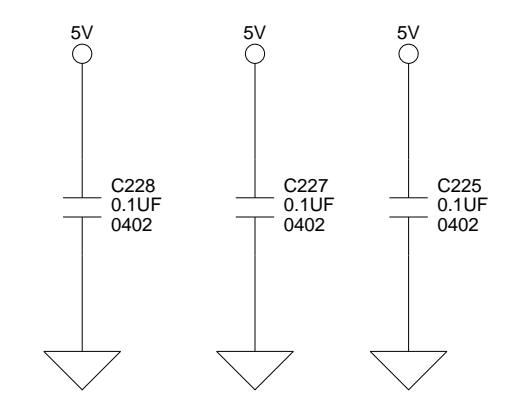
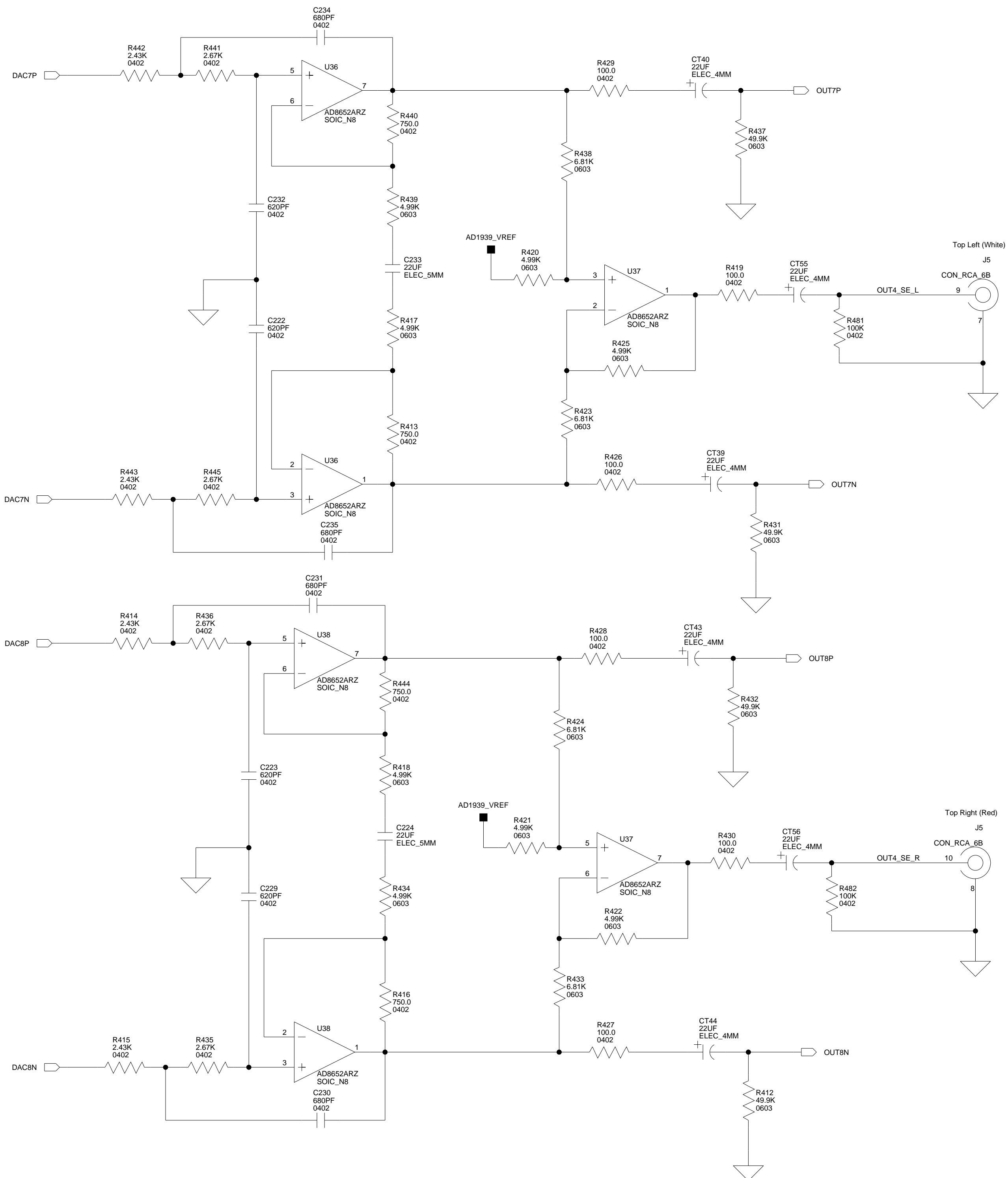
# OUT3

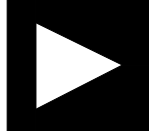


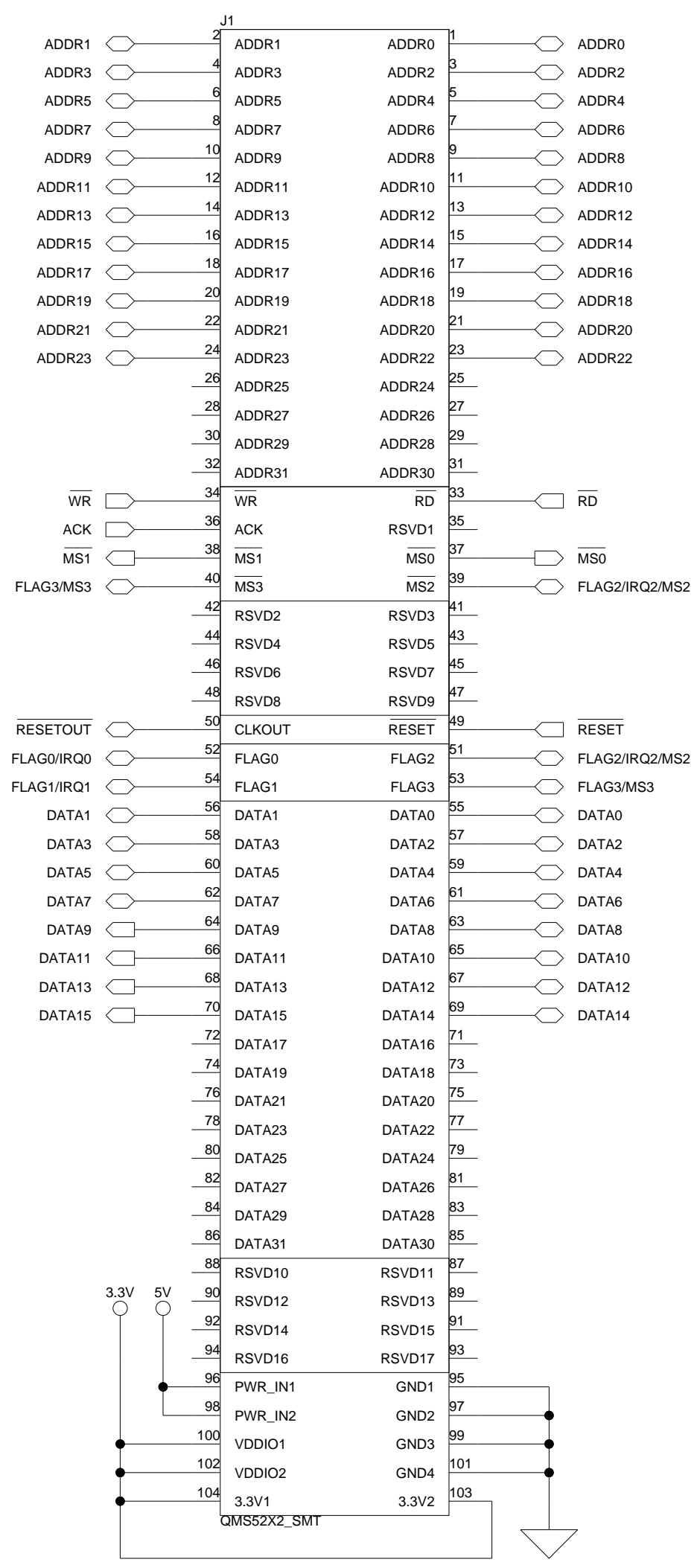
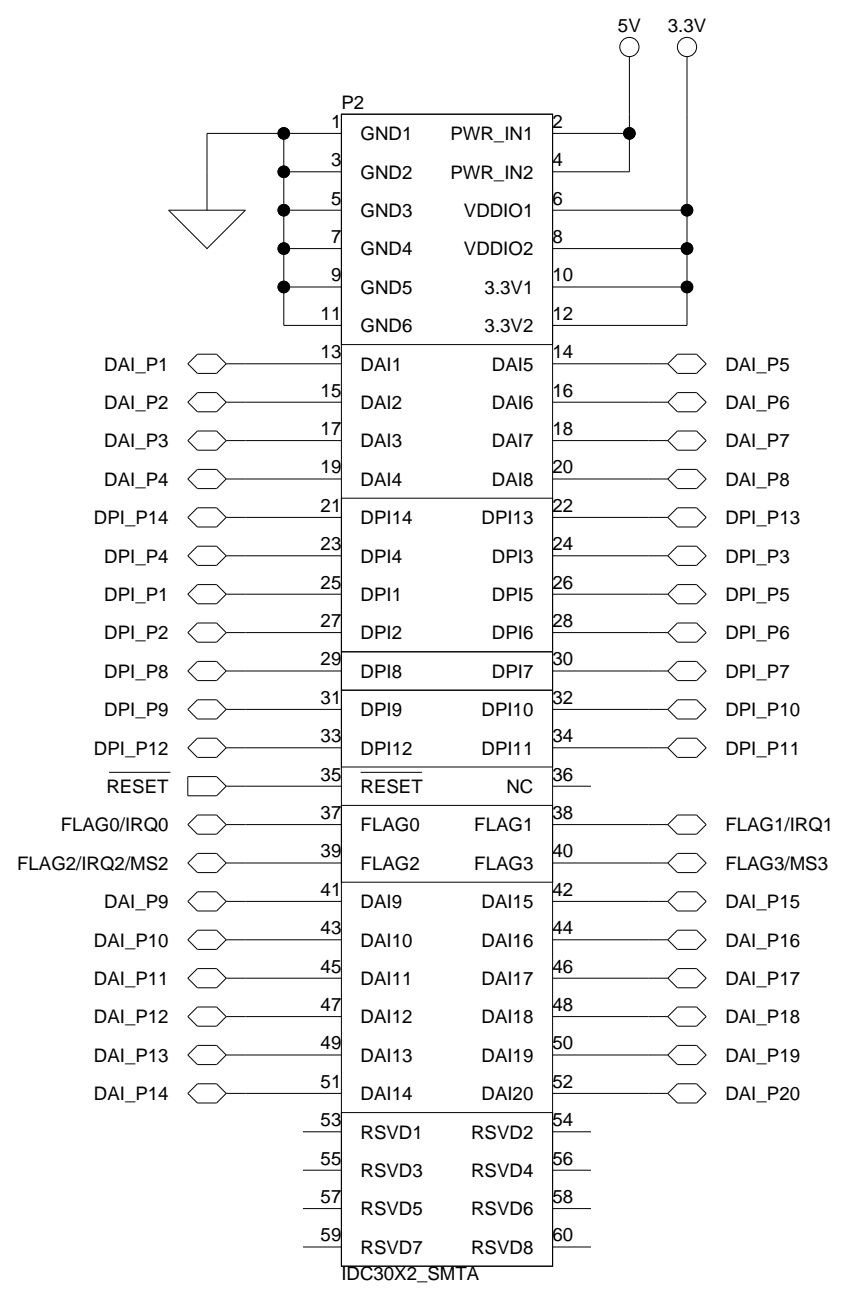
 <b>ANALOG DEVICES</b>		20 Cotton Road Nashua, NH 03063 PH: 1-800-ANALOGD	
		<b>Title</b> ADSP-21479 EZ-BOARD AUDIO PAGE 6	
<b>Size C</b>	<b>Board No.</b>	<b>Rev</b>	
	A0229-2009	0.1B	
<b>Date</b>	3-15-2010_15:12	<b>Sheet</b>	14 of 17



# OUT4



 <b>ANALOG DEVICES</b>		20 Cotton Road Nashua, NH 03063 PH: 1-800-ANALOGD	
		<b>Title</b> ADSP-21479 EZ-BOARD AUDIO PAGE 7	
<b>Size C</b>	<b>Board No.</b> A0229-2009	<b>Rev</b> 0.1B	
<b>Date</b> 3-15-2010_15:12	<b>Sheet</b> 15 of		17



DSP PIN NAME	PERIPHERAL NET CONNECTED TO	CONNECTED VIA SWITCH	SWITCH DEFAULT
DAI_P1	SPDIF_OUT	SW1.1	ON
DAI_P2	AD1939_SOFT_RESET	SW1.2	ON
DAI_P3	LED4	SW1.3	ON
DAI_P4	LED5	SW1.4	ON
DAI_P5	ASDATA1	SW1.5	ON
DAI_P6	ASDATA2	SW1.6	ON
DAI_P7	ABCLK	SW1.7	ON
DAI_P8	ALRCLK	SW1.8	ON
DAI_P9	DSDATA4	SW2.1	ON
DAI_P10	DSDATA3	SW2.2	ON
DAI_P11	DSDATA2	SW2.3	ON
DAI_P12	DSDATA1	SW2.4	ON
DAI_P13	DBCLK	SW2.5	OFF
DAI_P14	DLRCLK	SW2.6	OFF
DAI_P15	LED6	SW2.7	ON
DAI_P16	LED7	SW2.8	ON
DAI_P17	LED8	SW7.1	ON
DAI_P18	SPDIF_IN	SW7.2	ON
DAI_P19	PB3	SW7.3	ON
DAI_P20	PB4	SW7.4	ON

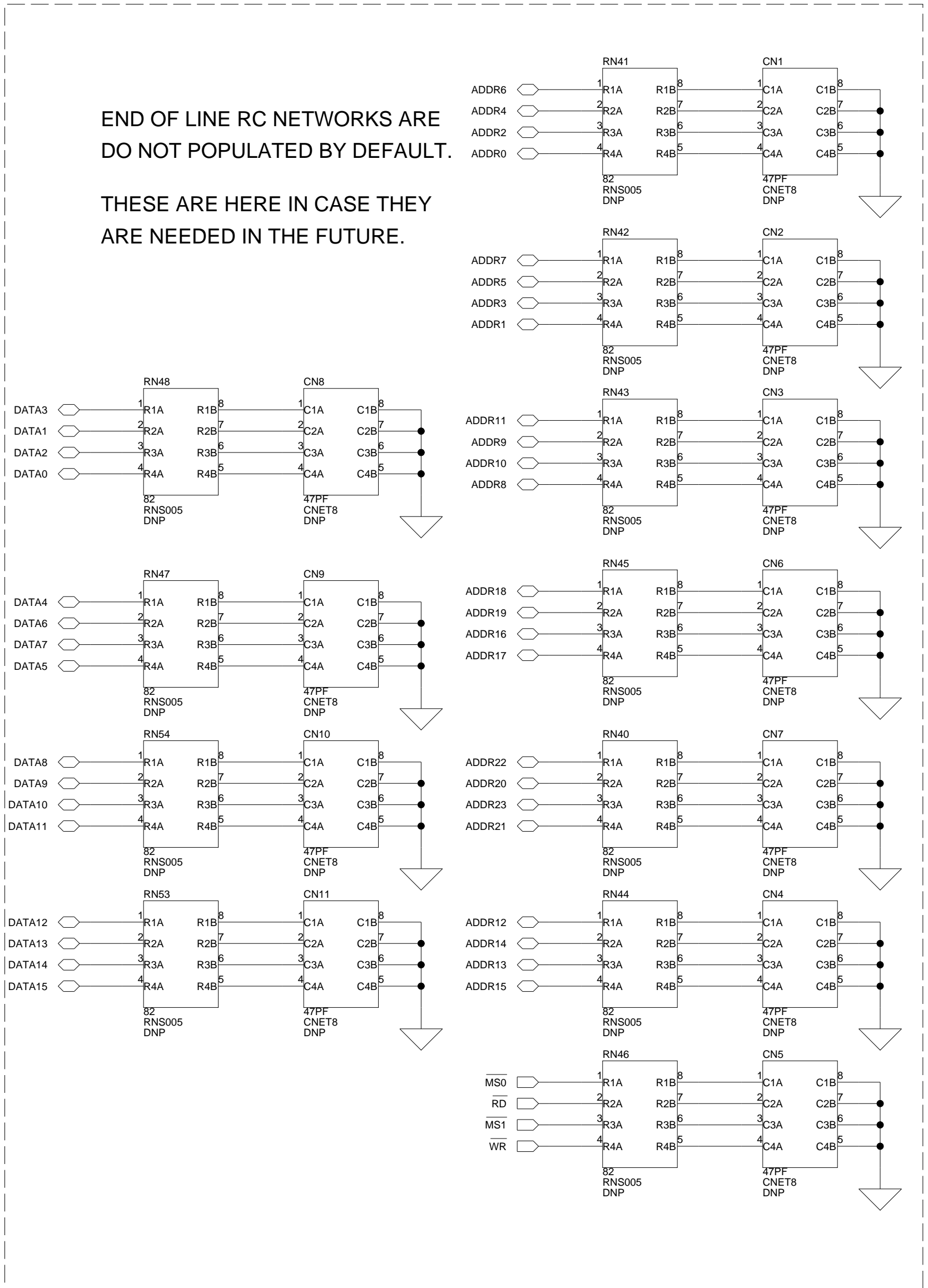
NOTE: SHUTTING OFF ANY OF THE SWITCHES FOR EXPANSION USE WILL CAUSE LOSS OF FUNCTIONALITY TO THE RESPECTIVE PERIPHERAL ON THE EZ-BOARD.

DSP PIN NAME	PERIPHERAL NET CONNECTED TO	CONNECTED VIA SWITCH	SWITCH DEFAULT
DPI_P1	SPI_MOSI	SW3.1	ON
DPI_P2	SPI_MISO	SW3.2	ON
DPI_P3	SPI_CLK	SW3.3	ON
DPI_P4	AD1939_CS	SW3.4	ON
DPI_P5	SPI_CS	SW3.5	ON
DPI_P6	LED1	SW3.6	ON
DPI_P9	UART_TX	SW14.1	ON
DPI_P10	UART_RX	SW14.2	ON
DPI_P11	UART_RTS	SW14.3	OFF
DPI_P12	UART_CTS	SW14.4	OFF
DPI_P13	LED2	SW14.5	ON
DPI_P14	LED3	SW14.6	ON

NOTE: SHUTTING OFF ANY OF THE SWITCHES FOR EXPANSION USE WILL CAUSE LOSS OF FUNCTIONALITY TO THE RESPECTIVE PERIPHERAL ON THE EZ-BOARD.

DSP PIN NAME	PERIPHERAL NET CONNECTED TO	CONNECTED VIA SWITCH	SWITCH DEFAULT
MS0	SDRAM_CS	SW13.1	OFF
MS1	FLASH_CS	SW13.2	ON
FLAG1/IRQ1	PB1	SW13.3	ON
FLAG2/IRQ2/MS2	PB2	SW13.4	ON
FLAG3/MS3	SRAM_CS	SW13.5	ON
WDTRSTO	RESET	SW13.6	OFF

NOTE: SHUTTING OFF ANY OF THE SWITCHES FOR EXPANSION USE WILL CAUSE LOSS OF FUNCTIONALITY TO THE RESPECTIVE PERIPHERAL ON THE EZ-BOARD.

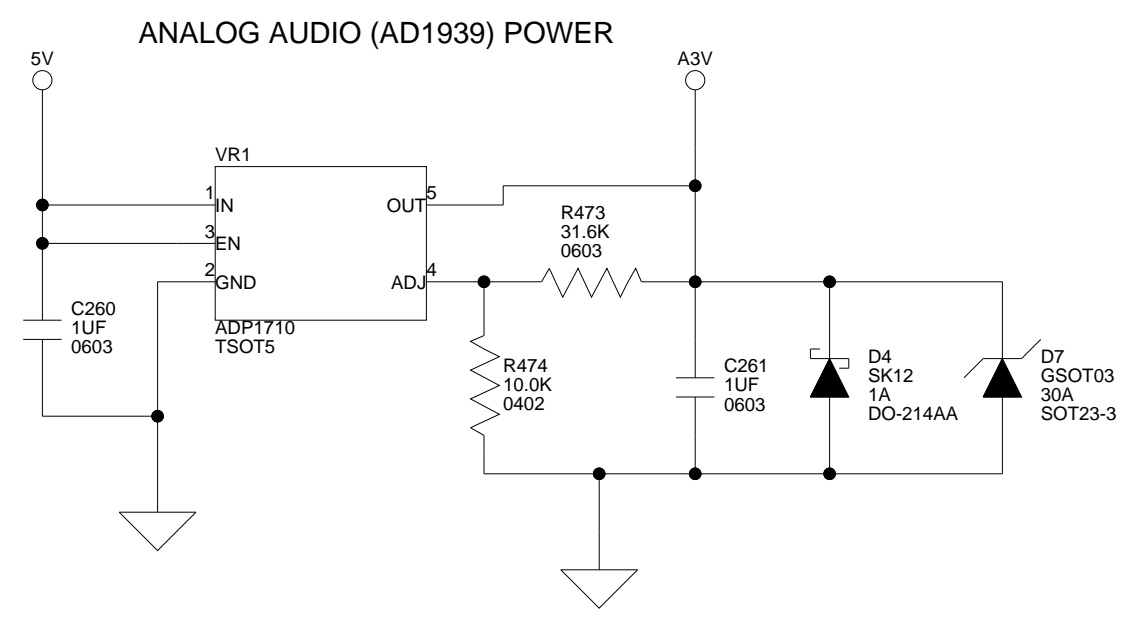
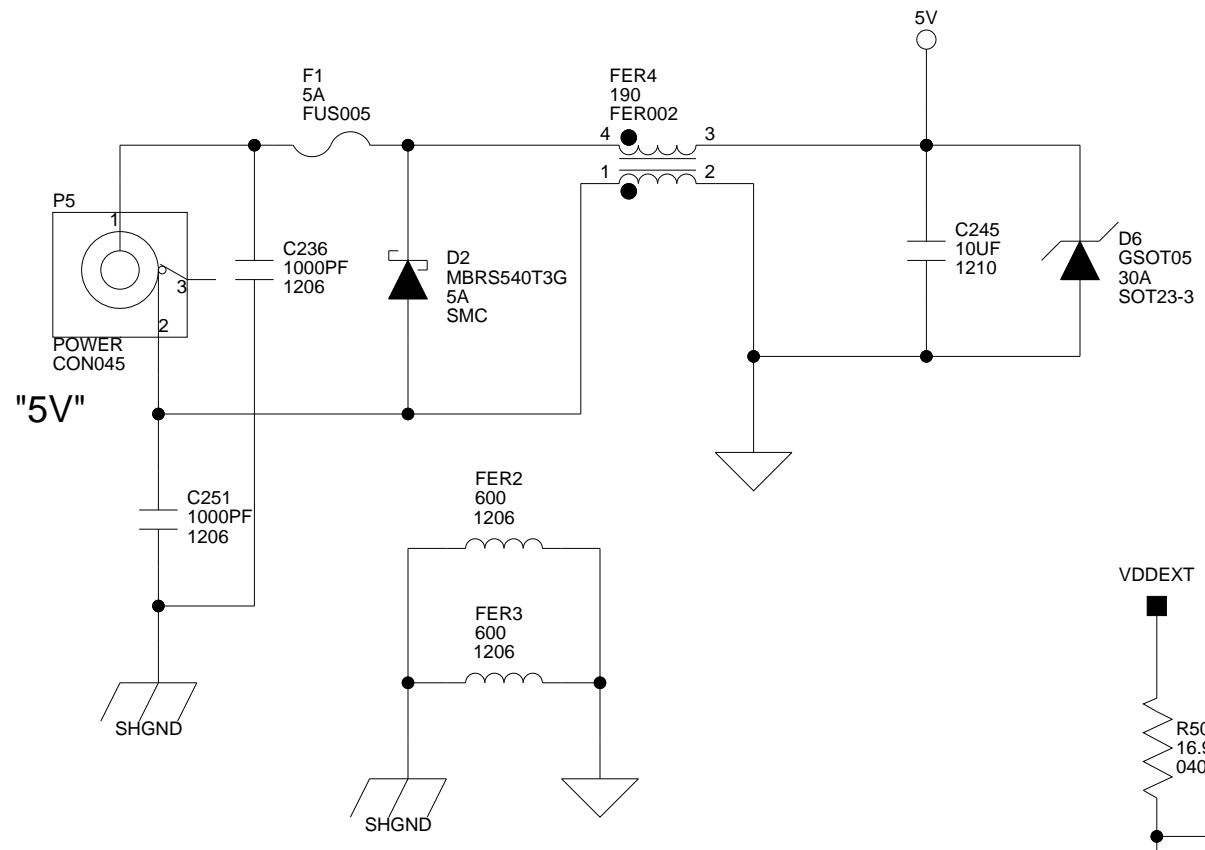


END OF LINE RC NETWORKS ARE DO NOT POPULATED BY DEFAULT. THESE ARE HERE IN CASE THEY ARE NEEDED IN THE FUTURE.

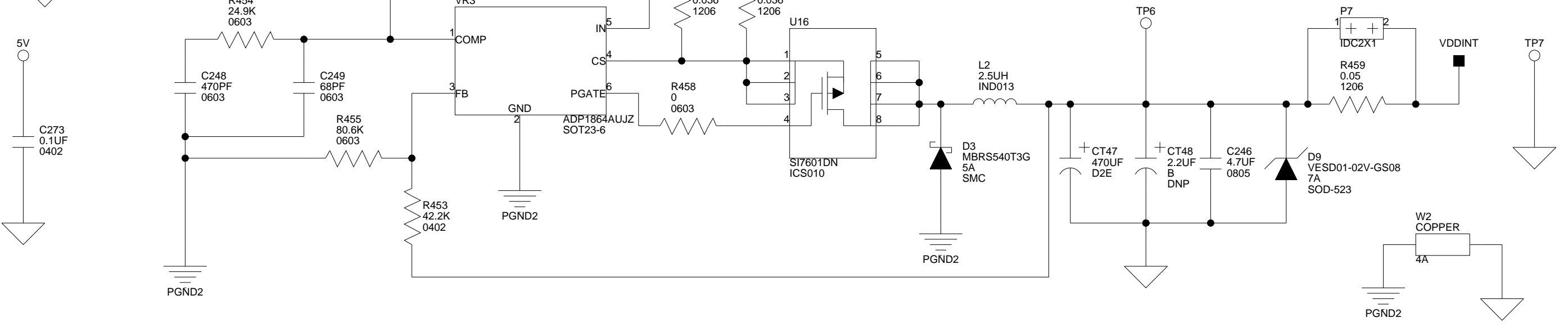
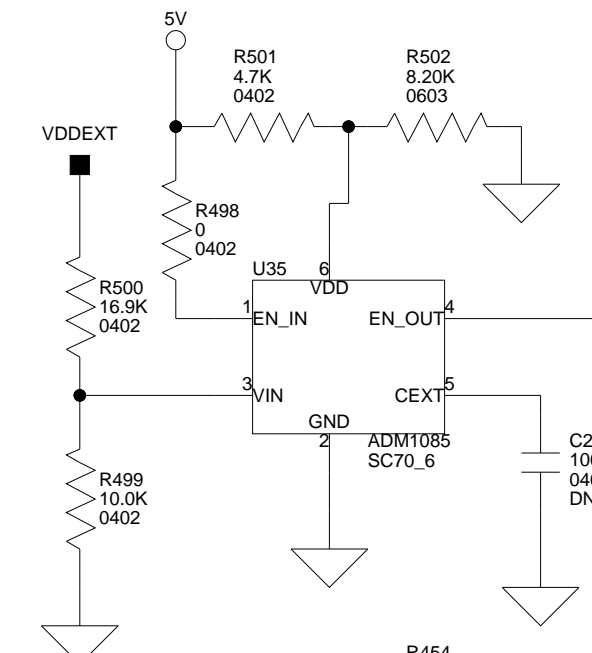
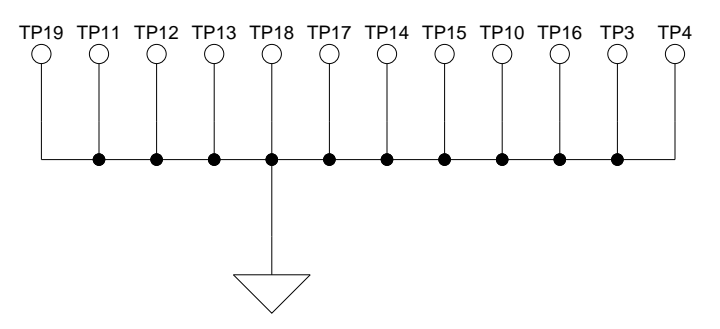
**ANALOG DEVICES**

20 Cotton Road  
Nashua, NH 03063  
PH: 1-800-ANALOGD

<b>Title</b> ADSP-21479 EZ-BOARD EXPANSION II INTERFACE		
<b>Size C</b>	<b>Board No.</b> A0229-2009	<b>Rev</b> 0.1B
<b>Date</b> 3-9-2010_15:24	<b>Sheet</b> 16	<b>of</b> 17



GND Test Points are scattered on PCB for Test Measurement Purposes.  
LABEL "GND" ON ALL TPs



Remove P14 when measuring VDDINT

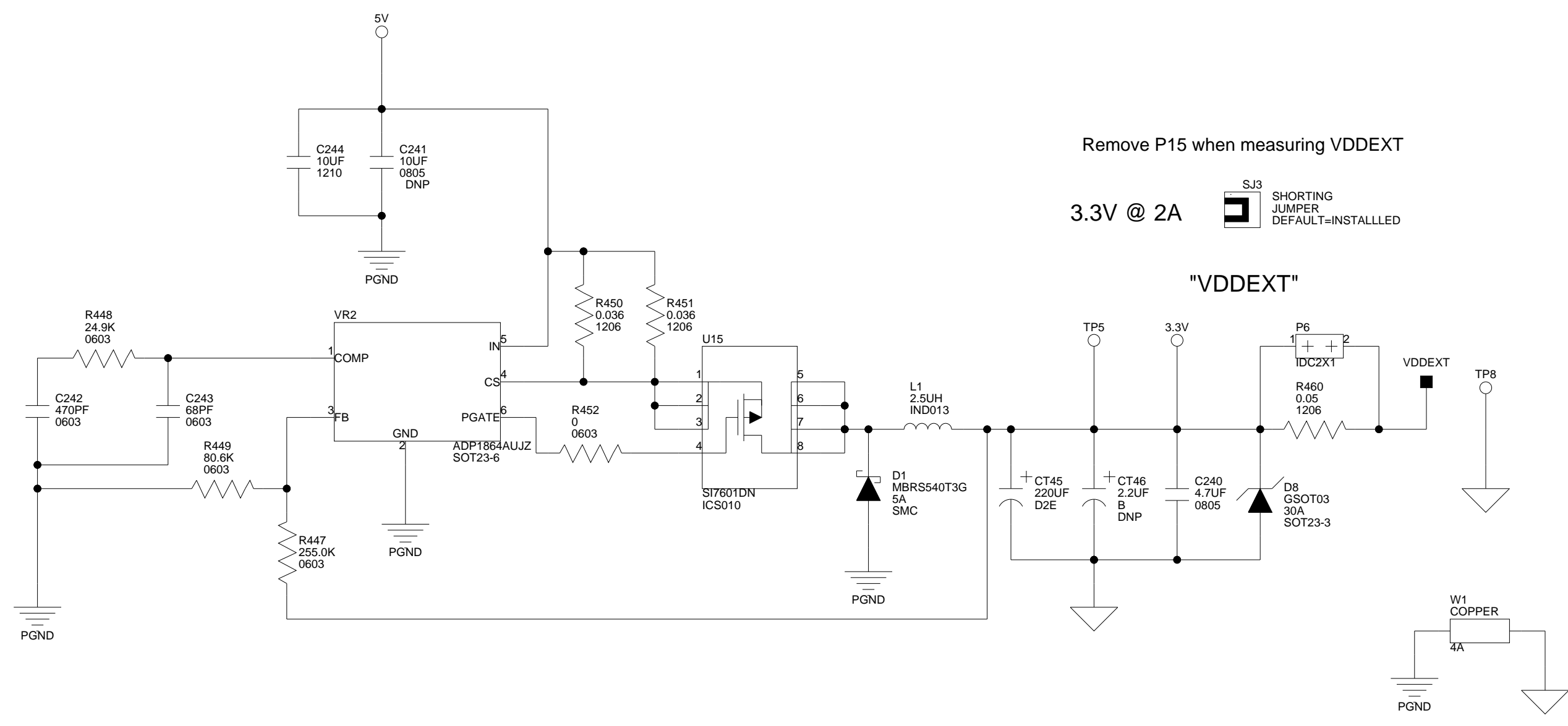
1.2V @ 2A

SJ2 SHORTING JUMPER DEFAULT=INSTALLED

Remove P15 when measuring VDDEXT

3.3V @ 2A

SJ3 SHORTING JUMPER DEFAULT=INSTALLED



		20 Cotton Road Nashua, NH 03063 PH: 1-800-ANALOGD	
<b>Title</b> ADSP-21479 EZ-BOARD POWER			
<b>Size C</b>	<b>Board No.</b>	A0229-2009	<b>Rev</b> 0.1B
<b>Date</b>	3-9-2010_15:24	<b>Sheet</b> 17 of	17

# I INDEX

## A

- ABCLK signal, [1-21](#), [2-3](#), [2-8](#)
- AD1939 codec, [1-20](#)
  - DAI connections, [2-3](#), [2-8](#), [2-9](#), [2-14](#)
  - DPI connections, [2-5](#), [2-9](#)
- AD1939\_CS signal, [2-9](#)
- AD1939\_SOFT\_RESET signal, [2-8](#)
- alarm function, [1-18](#)
- ALRCLK signal, [1-21](#), [2-8](#)
- analog audio interface, *See* [audio](#)
- analog-to-digital converters (ADCs), *See* [AD1939 codec](#)
- architecture, of this EZ-Board, [2-2](#)
- ASDATA1-2 signals, [2-3](#), [2-8](#)
- audio
  - codec, *See also* [AD1939 codec](#)
  - interface, [1-20](#)
  - left select switch (SW15), [2-14](#)
  - left select switch (SW18), [2-16](#)
  - loopback switches (SW24-25), [2-18](#)
  - RCA connectors (J4-5), [1-20](#), [2-25](#)
  - right select switches (SW16-17), [2-14](#), [2-15](#)

## B

- bill of materials, [A-1](#)
- board design database, [1-28](#)
- board schematic (ADSP-21479), [B-1](#)
- boot
  - modes, [2-10](#)
  - mode select switch (SW4), [1-16](#), [2-10](#)

## C

- configuration, of this EZ-Board, [1-3](#)
- connectors
  - diagram of locations, [2-23](#)
  - J1 (expansion interface II), [1-26](#), [2-24](#)
  - J2 (RS-232), [2-24](#)
  - J3 (MP JTAG), [1-25](#), [2-16](#), [2-24](#)
  - J4-5 (RCA), [1-20](#), [2-25](#)
  - J6 (S/PDIF in), [1-20](#), [2-25](#)
  - J7 (S/PDIF out), [1-20](#), [2-25](#)
  - J8 (headphones), [1-21](#), [2-26](#)
  - P10 (MP JTAG out), [1-25](#), [2-16](#), [2-29](#)
  - P1 (JTAG), [1-9](#), [1-24](#), [2-26](#)
  - P2 (expansion interface II), [1-26](#), [2-26](#)
  - P3 (VDDRTC power), [1-27](#), [2-27](#)
  - P4 (shift register interface), [2-27](#)
  - P5 (5.0V wall adaptor), [1-2](#), [1-9](#), [1-24](#), [2-27](#)
  - P6 (VDDEXT power), [2-28](#)
  - P7 (VDDINT power), [2-28](#)
  - P8-9 (diff in/out), [2-28](#)
  - ZP1 (debug agent), [2-29](#)
- contents, of this EZ-Board package, [1-2](#)
- core voltage, [2-2](#)
- counter function, [1-18](#)

## D

- DAI\_P1-2 pins, [2-3](#)
- DAI\_P15-17 pins, [2-3](#), [2-22](#)
- DAI\_P19-20 pins, [1-24](#), [2-3](#)
- DAI\_P3-4 pins, [2-3](#), [2-22](#)

# Index

DAI\_P5-14 pins, [2-3](#)  
DB25 connector, [2-14](#), [2-15](#), [2-16](#)  
DBCLK signal, [1-21](#), [2-4](#), [2-9](#)  
debug agent connector (ZP1), [2-29](#)  
default configuration, of this EZ-Board,  
[1-3](#)  
differential on/out connectors (P8-9), [2-28](#)  
digital audio interface (DAI)  
  connections, [2-3](#)  
  data transfer from codec, [1-21](#)  
  SW1 switch, [1-20](#), [2-8](#)  
  SW2 switch, [2-8](#)  
  SW7 switch, [1-20](#), [1-24](#), [2-11](#), [2-12](#)  
digital peripheral interface (DPI)  
  connections, [2-5](#)  
  data transfer from codec, [1-21](#)  
  SPI memory connections, [1-16](#)  
  SW14 switch, [1-22](#), [2-5](#), [2-13](#)  
  SW3 switch, [1-16](#), [2-9](#)  
digital-to-analog converters (DACs), *See*  
  AD1939 codec  
DLRCLK signal, [1-21](#), [2-4](#), [2-9](#)  
DPI\_13-14 pins, [2-22](#)  
DPI\_P6 pin, [2-22](#)  
DSDATA1-4 signals, [2-3](#), [2-8](#)  
DSP clock config switch (SW5), [2-10](#)

## E

evaluation license  
  CCES, [1-11](#)  
example programs, [1-28](#)  
expansion interface II  
  J1 connector, [1-26](#), [2-24](#)  
  P2 connector, [1-26](#), [2-26](#)  
external memory space, [1-13](#), [1-14](#)  
external port enable switch (SW13), [1-15](#),  
[1-17](#), [1-24](#), [2-6](#), [2-12](#)

## F

features, of this EZ-Board, [xii](#)  
FLAG1 pin, [1-24](#)  
FLAG2 pin, [1-24](#)  
FLASH\_CS signal, [2-13](#)  
flash WP jumper (JP1), [2-20](#)

## G

general-purpose IO pins (GPIO), [1-23](#),  
[2-12](#)

## H

headphones  
  enable switch (SW23), [1-22](#), [2-18](#)  
  out connector (J8), [2-26](#)

## I

input clock frequency, [1-18](#)  
installation, of this EZ-Board, [1-3](#), [1-9](#)  
  CCES, [1-5](#)  
Integrated Interchip Sound (I2C) mode,  
[1-21](#)  
internal memory space, [1-13](#)  
IO voltage, [2-2](#)  
IRQ0-2 pins, [1-24](#)

## J

J3 (MP JTAG) connector, [1-25](#), [2-16](#), [2-24](#)  
J8 (headphones) connector, [1-21](#)  
JTAG, [2-16](#)  
  interface, [1-24](#)  
  cables, [2-16](#), [2-24](#), [2-29](#)  
  P1 connector, [1-9](#), [1-24](#), [2-26](#)  
  SW19-22 switches, [1-25](#), [2-16](#)

## jumpers

- diagram of locations, [2-19](#)
- JP1 (flash WP), [2-20](#)
- JP2 (S/PDIF loopback), [2-20](#)
- JP3 (UART RTS/CTS), [2-20](#)
- JP4 (UART loopback), [2-20](#)
- JP5 (processor audio oscillator), [2-20](#)

## L

## LEDs

- diagram of locations, [2-21](#)
- connections, [1-23](#), [2-22](#)
- LED10 (reset), [2-22](#)
- LED1 (DPI\_P6, SW3), [2-5](#), [2-9](#)
- LED2 (DPI\_P13, SW14), [2-5](#), [2-13](#)
- LED3 (DPI\_14, SW14), [2-5](#), [2-13](#)
- LED4 (DAI\_P3, SW1), [1-9](#), [2-3](#), [2-8](#)
- LED5 (DAI\_P4, SW1), [2-3](#), [2-8](#)
- LED6 (DAIP15, SW2), [2-4](#), [2-9](#)
- LED7 (DAI\_16, SW2), [2-4](#), [2-9](#)
- LED8 (DAI\_P17, SW7), [2-4](#), [2-11](#)
- LED9 (power), [2-22](#)

license restrictions, [1-12](#)

## M

- master input clock (MCLK), [1-21](#)
- memory map, of this EZ-Board, [1-13](#)
- MS0 select line, [2-6](#), [2-13](#)
- MS1 select line, [1-15](#), [2-6](#), [2-13](#)
- MS2-3 select lines, [1-24](#), [2-6](#), [2-13](#)
- multi-processor configuration, [2-16](#), [2-17](#)

## N

notation conventions, [xx](#)

## O

oscilloscope, [1-27](#)

## P

- P10 (MP JTAG out) connector, [1-25](#), [2-16](#), [2-29](#)
- package contents, [1-2](#)
- parallel flash memory, [xii](#), [1-15](#), [2-12](#)
- PB1-2 push buttons, [2-6](#), [2-13](#)
- PB3-4 push buttons, [2-11](#)
- POST (power-on-self test) program, [1-15](#), [1-27](#)
- power
  - 5V wall adaptor connector (P5), [1-2](#), [1-9](#), [1-24](#), [2-27](#)
  - connectors (P6), [2-28](#)
  - connectors (P7), [2-28](#)
  - LED (LED9), [2-22](#)
  - measurements, [1-27](#)
- processor audio oscillator jumper (JP5), [2-20](#)
- product overview, [xii](#)
- push buttons
  - connections, [1-24](#), [2-6](#), [2-11](#), [2-13](#)
  - SW8-11 (IO) switches, [1-24](#), [2-12](#)

## R

- RCA audio connectors (J4-5), [1-20](#), [2-25](#)
- real-time clock interface, [1-17](#)
- reset
  - LED (LED10), [2-22](#)
  - push button (SW12), [2-12](#)
- RS-232 connector (J2), [2-24](#)

## S

- schematic, of ADSP-21479 EZ-Board, [B-1](#)
- SDRAM\_CS signal, [2-6](#)
- SDRAM interface, [xii](#), [1-14](#), [2-6](#)
- serial peripheral interconnect (SPI) ports,
  - See* SPI interface

# Index

- shift register
    - interface, 1-18
    - interface connector (P4), 2-27
  - signal routing units
    - SRU2 (DPI interface), 2-4
    - SRU (DAI interface), 2-3
  - single-processor configuration, 2-16, 2-17
  - SPDIF\_IN signal, 1-20, 2-11
  - S/PDIF interface
    - connections, 1-20, 2-3
    - in connector (J6), 1-20, 2-25
    - loopback jumper (JP2), 2-20
    - out connector (J7), 1-20, 2-25
  - SPDIF\_OUT signal, 1-20, 2-8
  - SPI\_CLK signal, 2-5, 2-9
  - SPI\_CS signal, 2-5, 2-9
  - SPI interface, 1-16
  - SPI\_MISO signal, 2-5, 2-9
  - SPI\_MOSI signal, 2-5, 2-9
  - SPORT0-7 signals, 1-19
  - SRAM interface, 1-13, 1-15
  - SR\_LAT signal, 1-18
  - SR\_SCLK signal, 1-18
  - SR\_SDI signal, 1-19
  - standalone debug agent, xi, 1-9, 1-12, 1-24
  - startup, of this EZ-Board
    - CCES, 1-5
  - stopwatch function, 1-18
  - SW12 (reset) push button, 2-12
  - SW13 (external port enable), 1-15, 1-17, 1-24, 2-6, 2-12
  - SW14 (DPI 9-14 enable) switch, 1-22, 2-5, 2-13
  - SW15 (audio left select) switch, 2-14
  - SW16-17 (audio right select) switches, 2-14, 2-15
  - SW18 (audio left select) switch, 2-16
  - SW19-22 (JTAG) switches, 1-25, 2-16
  - SW1 (DAI 1-8 enable) switch, 1-20, 2-3, 2-8
  - SW23 (headphone enable) switch, 1-22, 2-18
  - SW24-25 (audio loopback) switches, 2-18
  - SW2 (DAI 9-16 enable) switch, 2-8
  - SW3 (DPI 1-8 enable) switch, 1-16, 2-5, 2-9
  - SW4 (boot mode select) switch, 1-16, 2-10
  - SW5 (DSP clock config), 2-10
  - SW7 (DAI 17-20 enable) switch, 1-20, 1-24, 2-11, 2-12
  - SW8-11 (IO) push buttons, 1-24, 2-12
  - switches, diagram of locations, 2-7
  - system architecture, of this EZ-Board, 2-2
- ## T
- technical support, xvi
  - time-division multiplexed (TDM) mode, 1-21
- ## U
- ### UART
- interface connections, 1-22
  - loopback jumper (JP4), 2-20
  - RTS/CTS jumper (JP3), 2-20
  - UART\_CTS signal, 1-22, 2-5, 2-13, 2-20
  - UART\_RTS signal, 1-22, 2-5, 2-13, 2-20
  - UART\_RX signal, 1-22, 2-5, 2-13
  - UART\_TX signal, 1-22, 2-5, 2-13
  - universal asynchronous receiver transmitter, *See* UART
  - USB monitor LED (LED4), 1-9
- ## V
- ### VDDEXT
- power connector (P6), 2-28
  - voltage domain, 1-27

## VDDINT

- power connector (P7), [2-28](#)
- voltage domain, [1-27](#)

## VDDRTC

- power connector (P3), [1-27](#), [2-27](#)
- voltage domain, [1-27](#)
- voltage planes, [1-26](#), [1-27](#), [2-27](#), [2-28](#)

## W

- watch dog timer (WDT) interface, [1-17](#)



# Mouser Electronics

Authorized Distributor

Click to View Pricing, Inventory, Delivery & Lifecycle Information:

[Analog Devices Inc.:](#)

[ADZS-21479-EZBRD](#) [ADZS-21479-EZLITE](#)