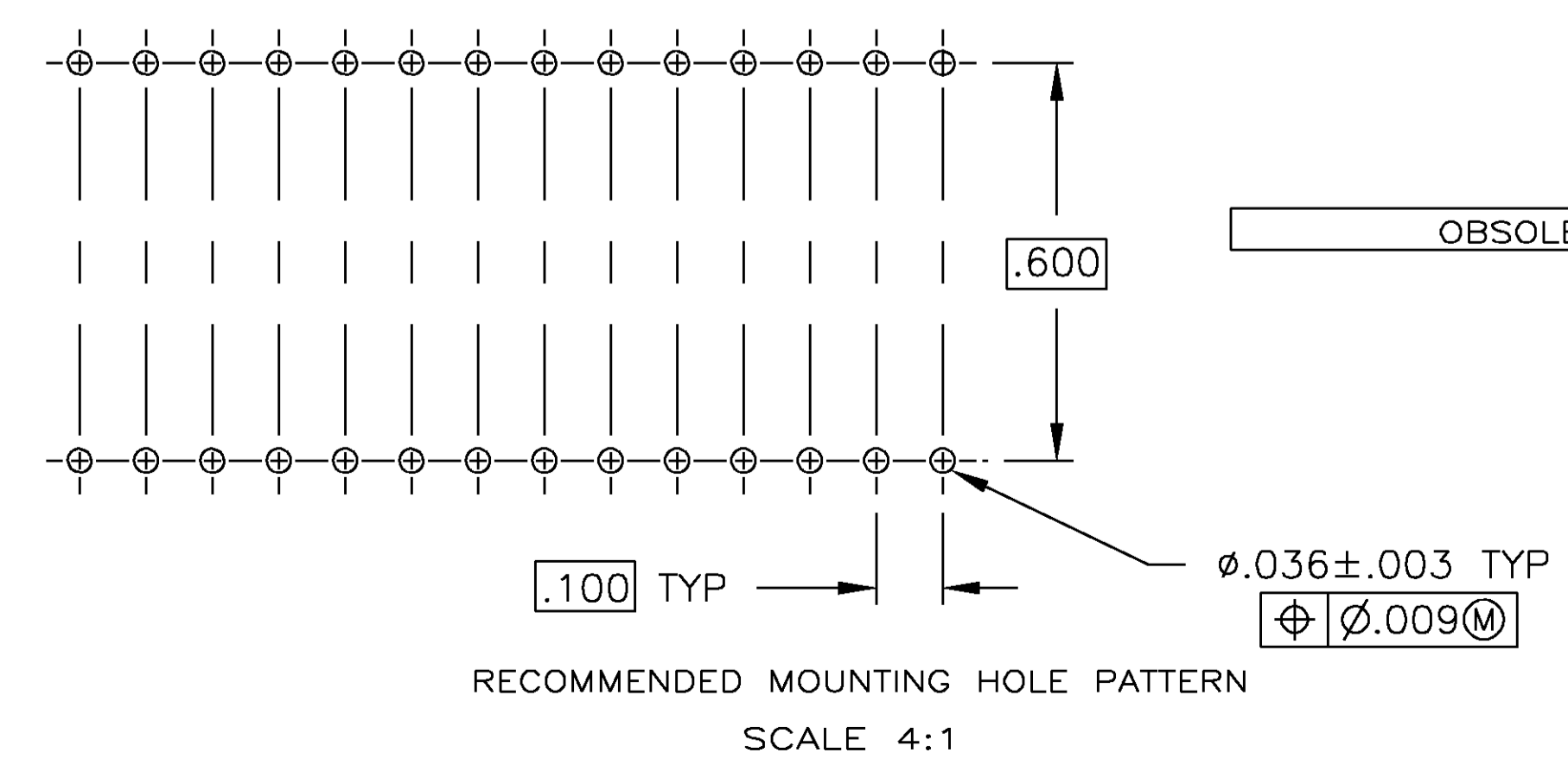
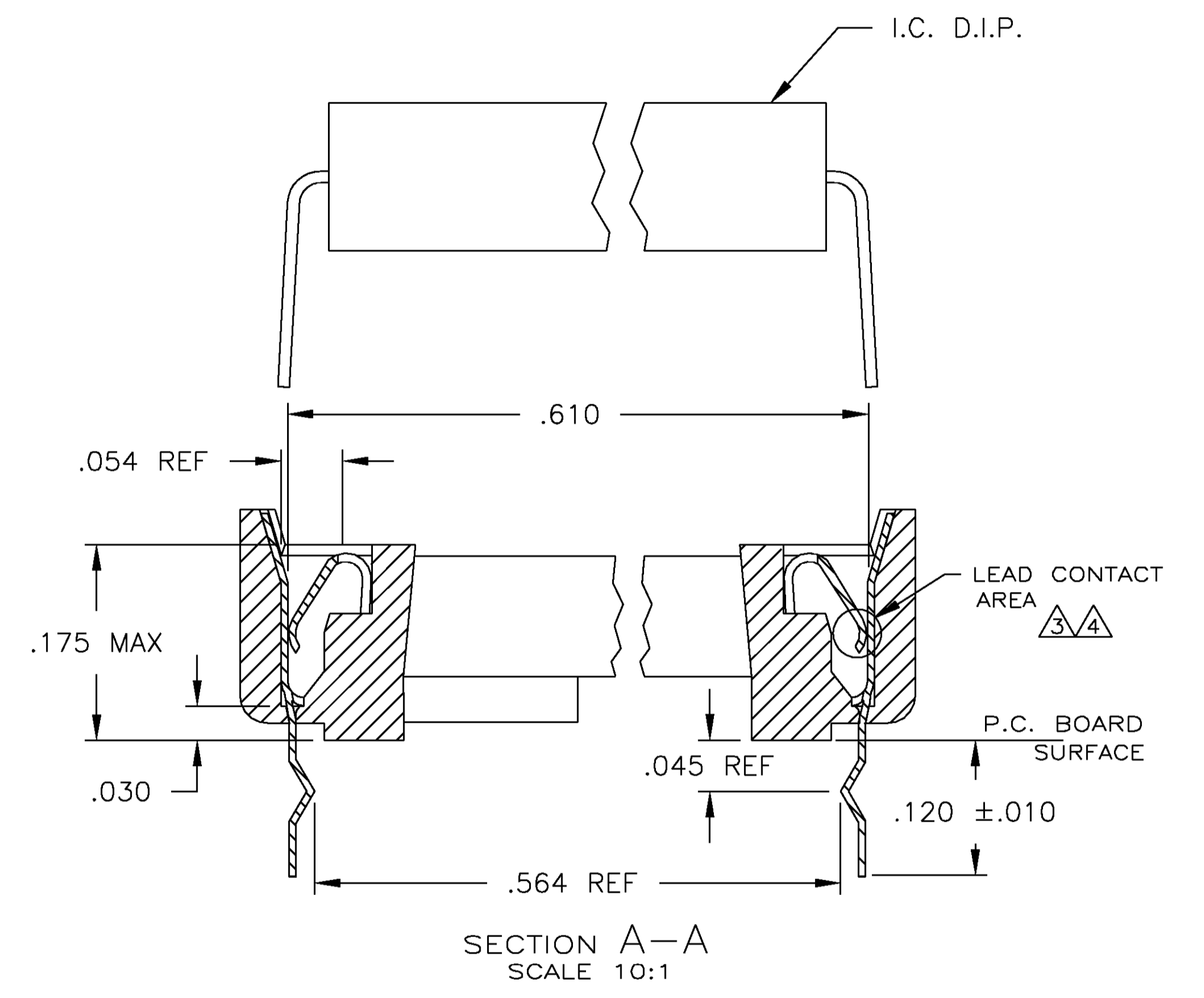
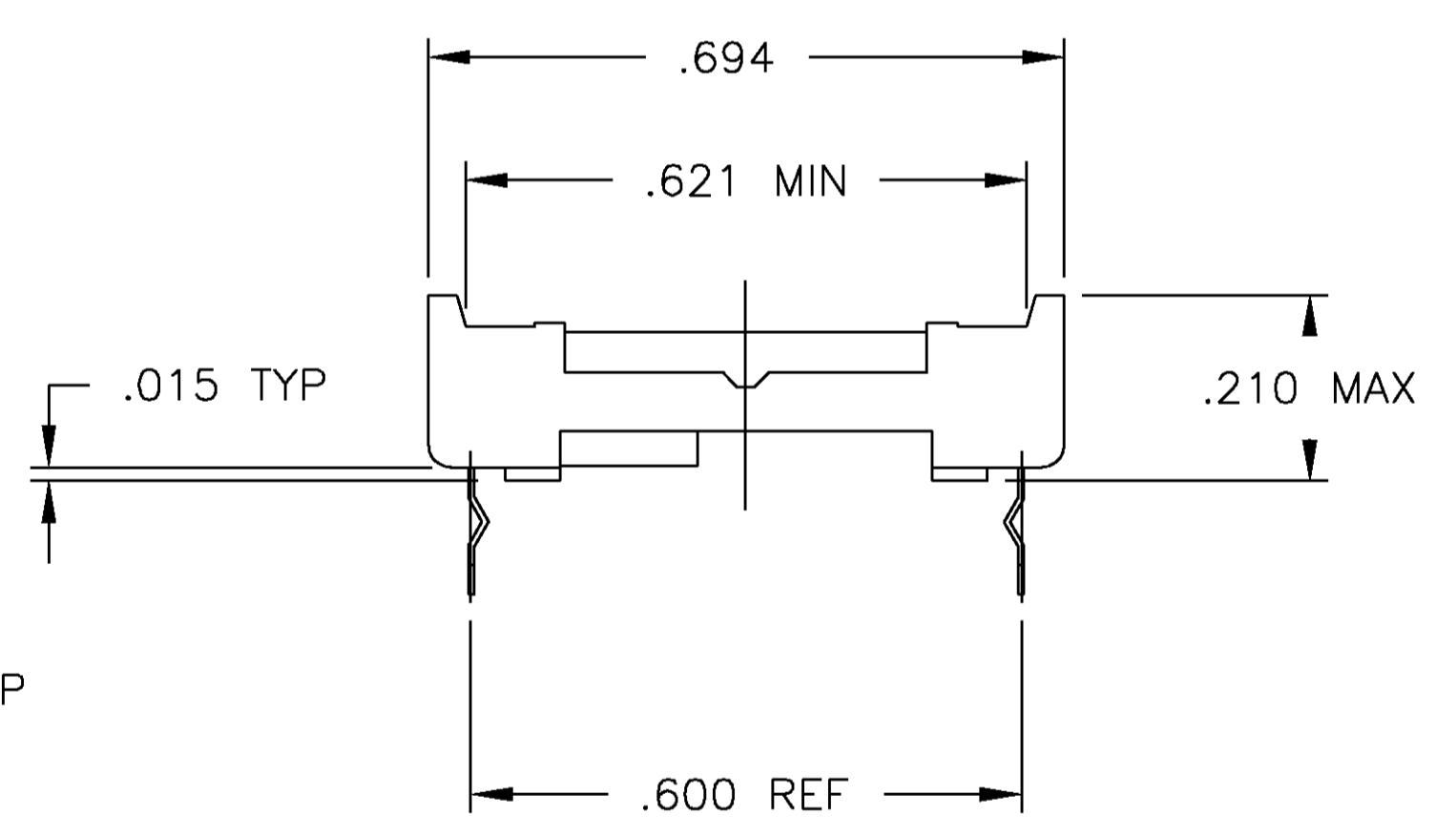
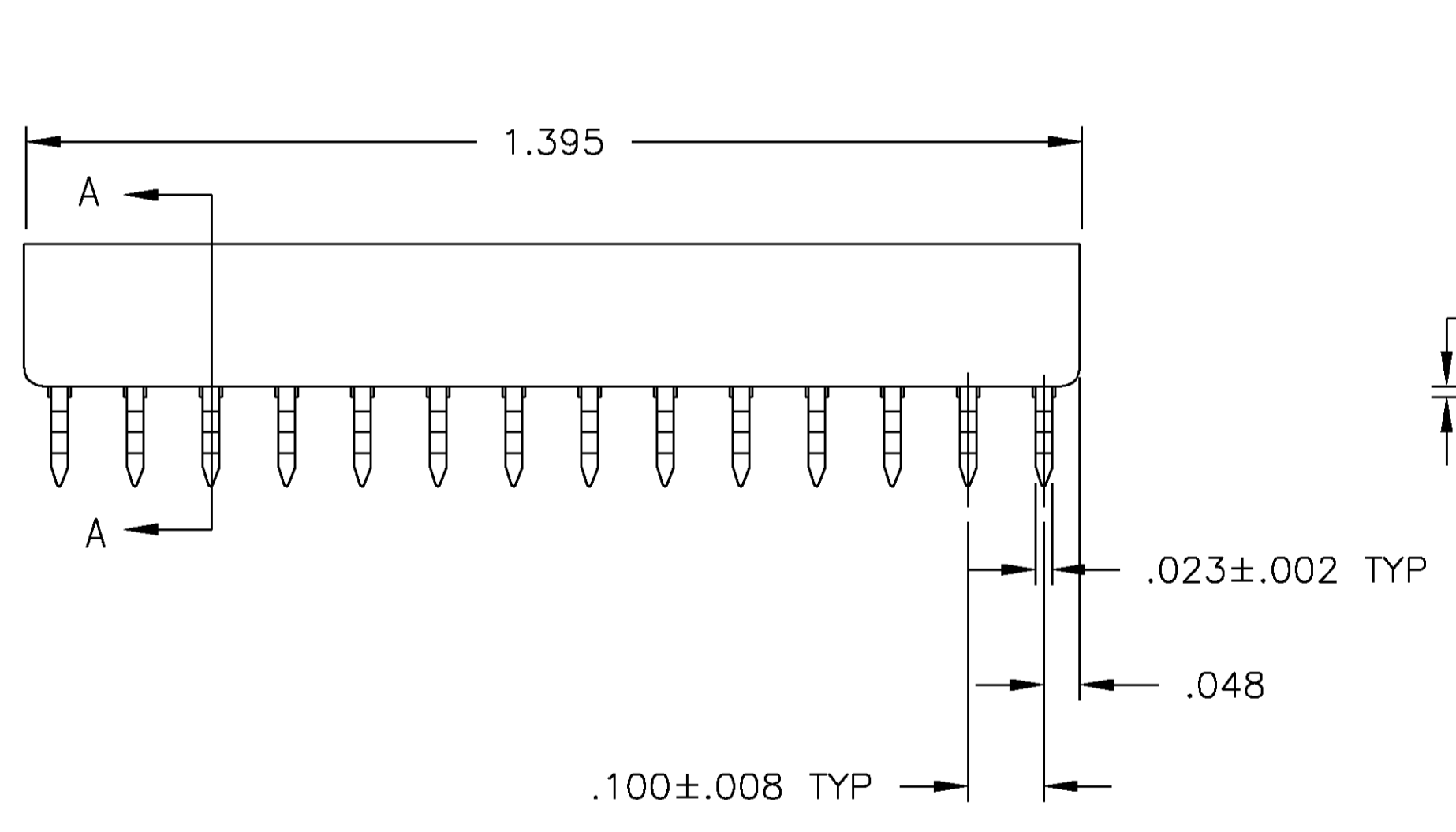
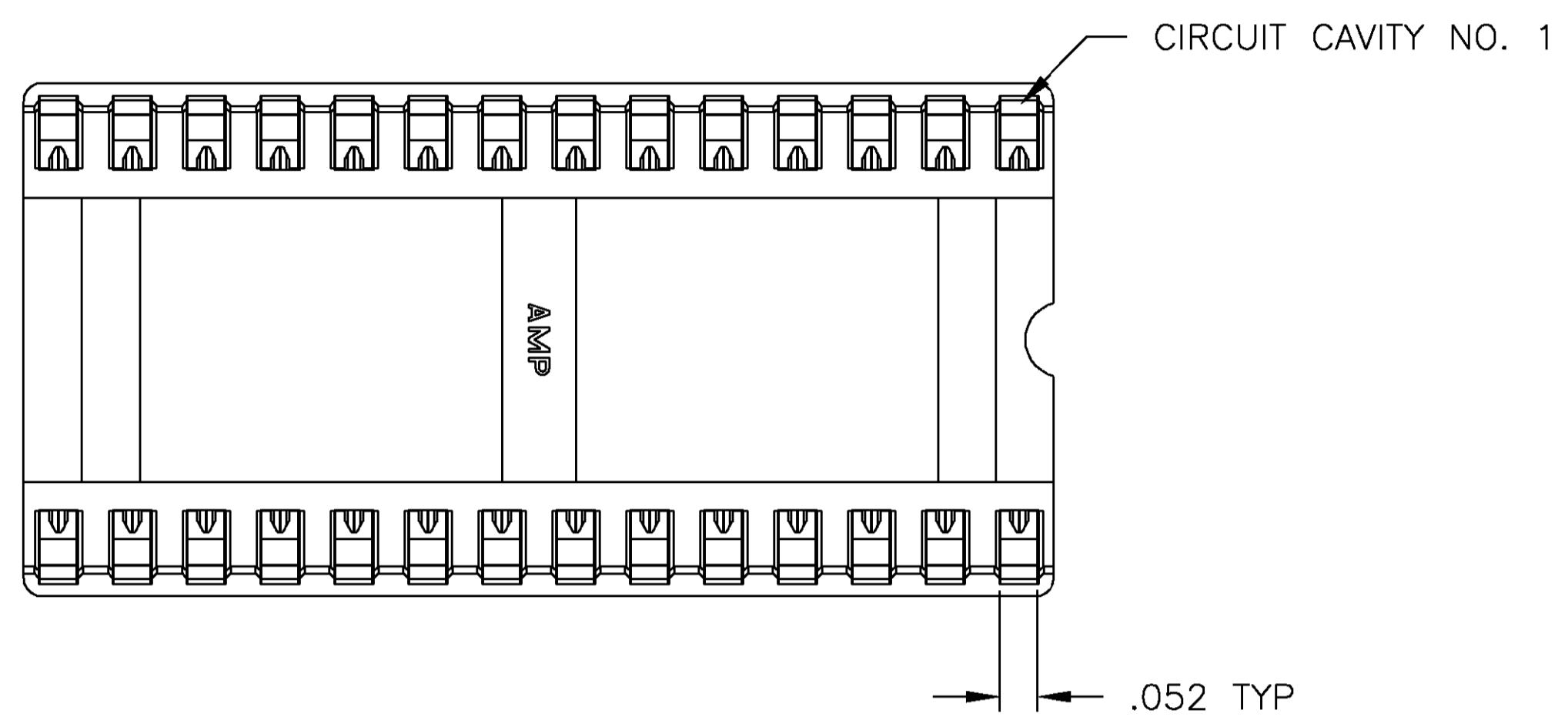


- RECEPTACLE ACCEPTS A .008-.014 THICK I.C. LEAD.
 - TUBE LOADED.
- ⚠ TWO .000030 MIN THK. GOLD STRIPES IN CONTACT AREA WITH TIN-LEAD (93/7) ON CONTACT LEGS, BALANCE OF CONTACT NICKEL PLATED.
 - ⚠ TWO .000015 MIN THK. GOLD STRIPES IN CONTACT AREA WITH TIN-LEAD (93/7) ON CONTACT LEGS, BALANCE OF CONTACT NICKEL PLATED.



OBSOLETE	TINNED	PHOS.BRZ. .006 THK	GLASS-FILLED THERMOPLASTIC, 94V-O, BLACK	2-641615-5
	⚠	PHOS.BRZ. .006 THK	GLASS-FILLED THERMOPLASTIC, 94V-O, BLACK	2-641615-4
	TINNED	PHOS.BRZ. .006 THK	GLASS-FILLED THERMOPLASTIC, 94V-O, BLACK	2-641615-3
	⚠	BE.CU. .006 THK	GLASS-FILLED THERMOPLASTIC, 94V-O, BLACK	2-641615-2
	TINNED	BE.CU. .006 THK	GLASS-FILLED THERMOPLASTIC, 94V-O, BLACK	2-641615-1
CONTACT FINISH	CONTACT MAT'L	HOUSING MATERIAL		PART NO.
THIS DRAWING IS A CONTROLLED DOCUMENT.		DWG: M. CYRUS	09JAN01	Tyco Electronics Corporation
DIMENSIONS: INCHES		CHK: H. WYNKOOP	17NOV00	Harrisburg, PA 17105
TOLERANCES UNLESS OTHERWISE SPECIFIED:		APP'D: H. WYNKOOP	17NOV00	NAME
0 PLC ± -		PRODUCT SPEC	108-1066	SOCKET ASSY, DIP, LADDER, RET LEG, 28 POS, DIPLOMATE™ DL
1 PLC ± -		APPLICATION SPEC	114-1049	RESTRICTED TO
2 PLC ± -		SIZE	A1	00779 ©=641615
3 PLC ± .005		WEIGHT	-	CUSTOMER DRAWING
4 PLC ± -		SCALE	5:1	SHEET 1 OF 1
ANGLES ± α-30°		REV	Y	