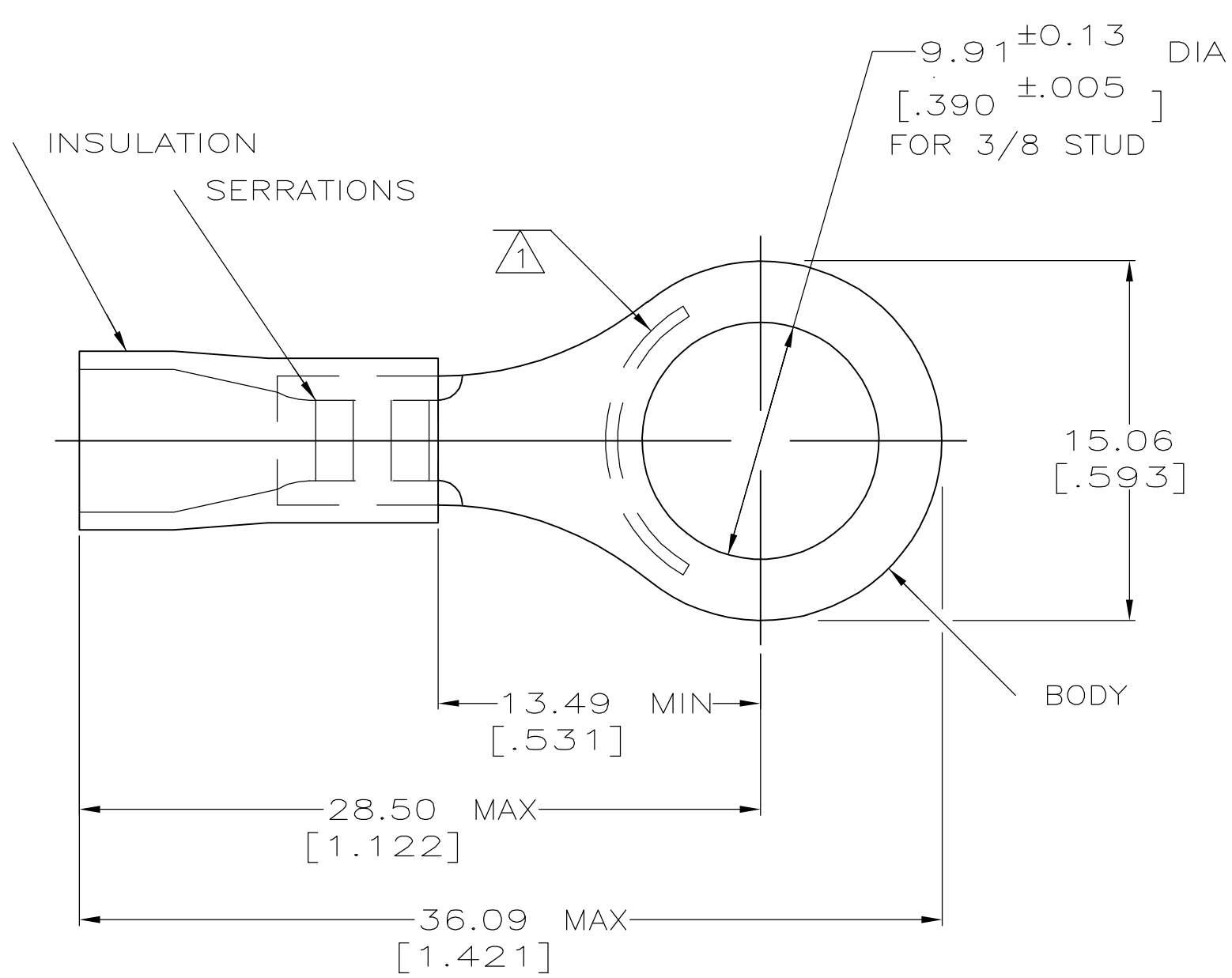


THIS DRAWING IS UNPUBLISHED. RELEASED FOR PUBLICATION
 © COPYRIGHT BY TYCO ELECTRONICS CORPORATION. ALL RIGHTS RESERVED.

LOC	DIST	REVISIONS					
		P	LTR	DESCRIPTION	DATE	DWN	APVD
G	14		V1	REV PER ECR 06-001832	22APR06	JR	TM



- 1 STAMP AMP 12-10*, 6-9 APPROX AS SHOWN
- 2 WIRE INSULATION DIA: .150-.250
- 3 TONGUE MATERIAL THK IS 1.02±0.05 [.040±.002]
- 4 MATERIAL: BODY; COPPER PER ASTM B152 INSULATION; PVC COLOR; YELLOW
- 5 FINISH: BODY; TIN PL. PER ASTM B545

AMP WIRE RANGE	Listed	LR7189 Certified
12-10 AWG SOLID OR STRANDED	12-10 AWG SOLID OR STRANDED	12-10 AWG SOLID OR STRANDED

50	LOOSE PC,BOX	8-34173-2
1000	ON TAPE, REEL	2-34173-1
500	LOOSE PIECE	34173
QTY	PACKAGE TYPE	PART NO

AMP INCORPORATED CUSTOMER SERVICE SYSTEMS	
FOR ADDITIONAL PRODUCT INFORMATION OR COPIES OF DRAWINGS AND TECHNICAL DOCUMENTS	PRODUCT INFORMATION CENTER 1-800-522-6752
FOR APPLICATION TOOLING INFORMATION	TOOLING ASSISTANCE CENTER 1-800-722-1111
FOR ORDER ENTRY	1-800-526-5142

MAX RECOMMENDED OPERATING TEMPERATURE: 105°C [221°F]
VOLTAGE RATING: N/A
CIRCULAR MIL AREA: 2.62-6.64mm² [5180-13100] SOLID OR STRANDED

THIS DRAWING IS A CONTROLLED DOCUMENT.	
DIMENSIONS: mm [INCHES]	TOLERANCES UNLESS OTHERWISE SPECIFIED:
	0 PLC ± -
	1 PLC ± -
	2 PLC ± 0.20[.008]
	3 PLC ± -
	4 PLC ± -
	ANGLES ± -
MATERIAL	FINISH
- 4	- 5

DWN DK SCHRUM 08/06/92	tyco Tyco Electronics Corporation	
CHK RE HERSEY 11/10/92	Electronics Harrisburg, Pa 17105-3608	
APVD M ELLIS 11/10/92	NAME	
PRODUCT SPEC	108-1034	
APPLICATION SPEC	NOT AVAILABLE	
WEIGHT -	SIZE A3	CAGE CODE 00779
CUSTOMER DRAWING	DRAWING NO C-34173	RESTRICTED TO -
SCALE 4:1	SHEET 1 OF 1	REV V1