

# GNM314R71C104MA01#

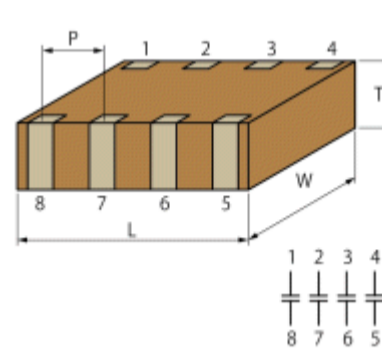
" # " indicates a package specification code.



Deadline for last orders: 31 Mar 2016 Date of discontinuation: 30 September 2016

< List of part numbers with package codes >  
GNM314R71C104MA01L , GNM314R71C104MA01K

## Shape



L size	3.2 ± 0.15mm
W size	1.6 ± 0.15mm
T size	1.0 ± 0.1mm
Distance between external terminals P	0.8 ± 0.1mm
Size code in inch(mm)	1206 (3216)

## References

Packaging	Specifications	Minimum quantity
L	180mm Embossed taping	3000
K	330mm Embossed taping	10000

Mass (typ.)	
1 piece	26mg
180mm Reel	214g

## Specifications

Capacitance	0.10μF ± 20%
Rated voltage	16Vdc
Temperature characteristics (complied standard)	X7R(EIA)
Capacitance change rate	± 15.0%
Temperature range of temperature characteristics	-55 to 125
Operating temperature range	-55 to 125

### ⚠ Attention

- 1.This datasheet is downloaded from the website of Murata Manufacturing Co., Ltd. Therefore, it ' s specifications are subject to change or our products in it may be discontinued without advance notice. Please check with our sales representatives or product engineers before ordering.
- 2.This datasheet has only typical specifications because there is no space for detailed specifications. Therefore, please review our product specifications or consult the approval sheet for product specifications before ordering.