

1658612-4 Product Details

Share Print Email



1658612-4

TE Internal Number: 1658612-4

Active

View 3D PDF

Standard Cable Connectors

Always EU RoHS/ELV Compliant (Statement of Compliance)

Product Highlights:

- Connector
- Product Series = HDF-20 (Ribbon Cable)
- 9 Positions
- Without Enclosure
- Connector Style = Receptacle

[View all Features](#)

Quick Links

- ▶ [Pricing & Availability](#)
- ▶ [Search for Tooling](#)
- ▶ [View Mating Products \(73\)](#)
- ▶ [Product Feature Selector](#)
- ▶ [Contact Us About This Product](#)

[Add to My Part List](#) [Request Sample](#) [Find Similar Products](#) [Buy Product](#)

Documentation & Additional Information

Product Drawings:

- [RCPT ASSY, FRONT METAL SHELL, LEAD-FREE, AMPLIMITE HDF \(PDF, English\)](#)

Catalog Pages/Data Sheets:

- [AMPLIMITE Subminiature D Connectors - Cable Connectors \(PDF, English\)](#)

Product Specifications:

- [AMPLIMITE HDF-20 Low Profile Connector \(PDF, English\)](#)

Application Specifications:

- None Available

Instruction Sheets:

- [Connector-Specific Kit 768349-1 for AMP-LATCH HDF Lo... \(PDF, English\)](#)

CAD Files: (CAD Format & Compression Information)

- [2D Drawing \(DXF, Version 01\)](#)
- [3D Model \(IGES, Version 01\)](#)
- [3D Model \(STEP, Version 01\)](#)

[List all Documents](#)

Additional Information:

- [Product Line Information](#)

Additional Product Images:

- [Panel Mount Cutout Dimensions](#)

Related Products:

- [Tooling](#)
- [Mating Products \(73\)](#)

Product Features (Please use the Product Drawing for all design activity)

Product Type Features:

- [Product Type](#) = Connector
- [Product Series](#) = HDF-20 (Ribbon Cable)
- [Wire/Cable Type](#) = Ribbon Cable
- [Termination Method to Wire/Cable](#) = Insulation Displacement Crimp (IDC)
- [Mating Connector Lock](#) = With
- [Mating Connector Lock Type](#) = Mounting Holes
- [Shell Size](#) = 1
- [Shell Type](#) = Front Metal Shell
- [Grounding Indents](#) = Without
- [Grade](#) = Standard
- [Profile](#) = Low
- [Color](#) = Black
- [Shell Material](#) = Steel
- [Cover Material](#) = Thermoplastic

Termination Features:

- [Solder Tail Contact Plating](#) = Tin over Nickel

Dimensions:

- [Cable Insulation Diameter \(mm \[in\]\)](#) = 0.81 - 0.97 [0.032 - 0.038]

Body Features:

- [Wire Range \(mm² \[AWG\]\)](#) = 0.08 - 0.15 [28-26]
- [Ribbon Cable Centerline Spacing \(mm \[in\]\)](#) = 1.27 [0.050]
- [Shell Plating](#) = Bright Tin
- [Optional Cable Stabilizer](#) = 747275-4
- [Strain Relief Part Number](#) = 747275-4

Contact Features:

- [Contact Type](#) = Socket
- [Contact Base Material](#) = Phosphor Bronze
- [Contact Plating, Mating Area, Material](#) = Gold (30)
- [Contact Size](#) = 20

Housing Features:

- [Enclosure](#) = Without
- [Connector Style](#) = Receptacle
- [Housing Material](#) = Thermoplastic - GF
- [UL Flammability Rating](#) = UL 94V-0

Configuration Features:

- [Number of Positions](#) = 9
- [Preloaded](#) = Yes

Industry Standards:

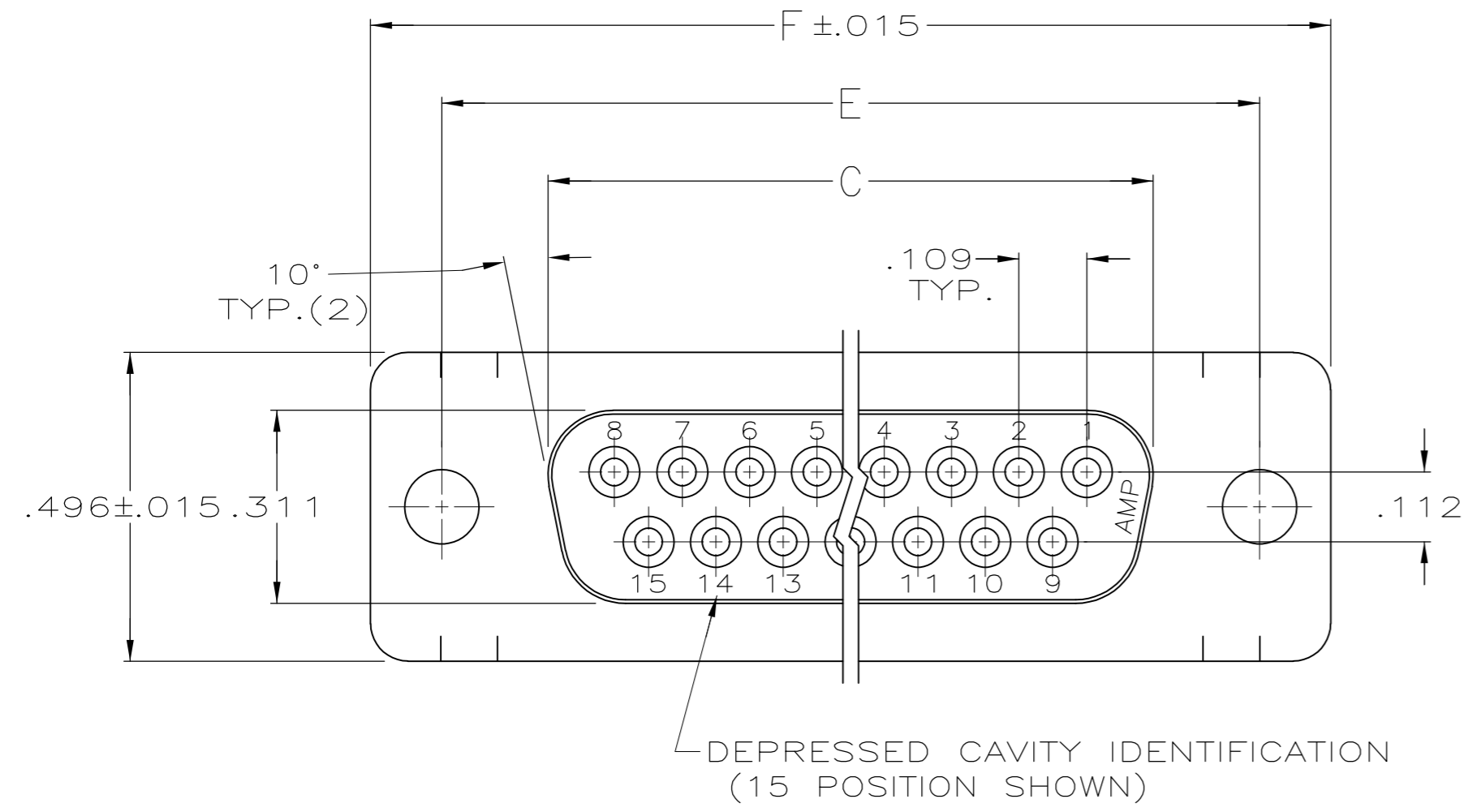
- [RoHS/ELV Compliance](#) = RoHS compliant, ELV compliant
- [Lead Free Solder Processes](#) = Not relevant for lead free process
- [RoHS/ELV Compliance History](#) = Always was RoHS compliant

Other:

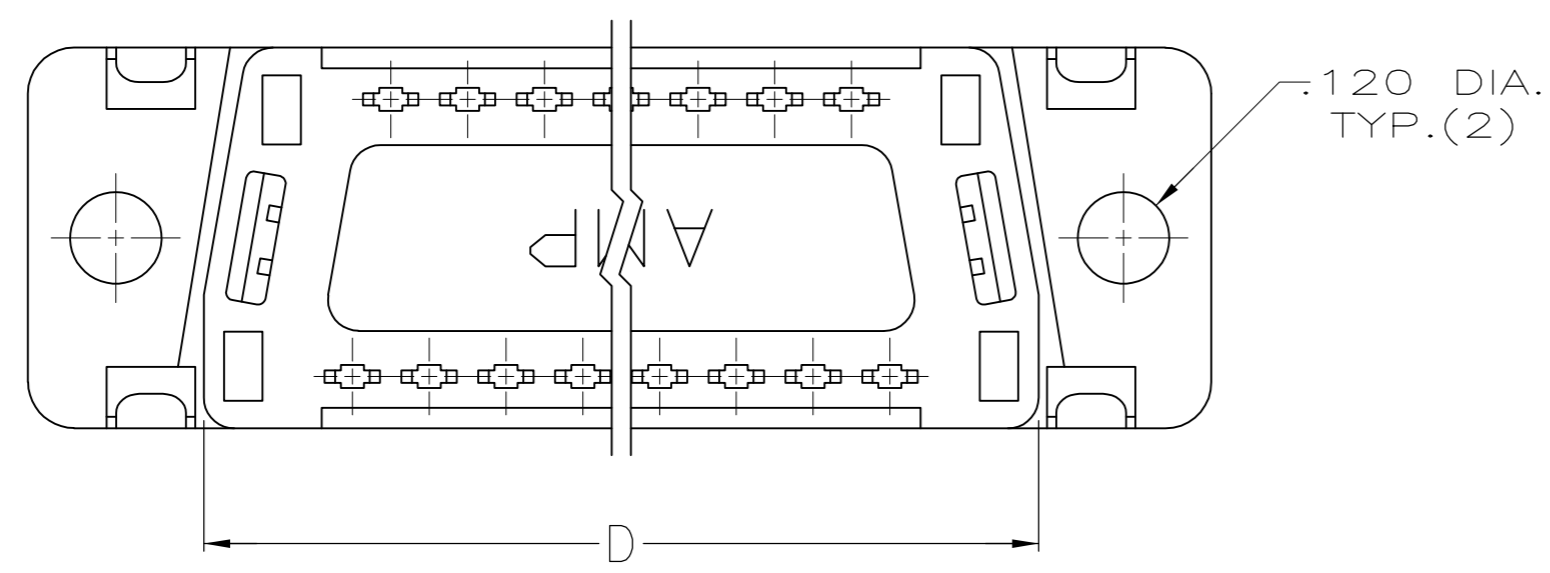
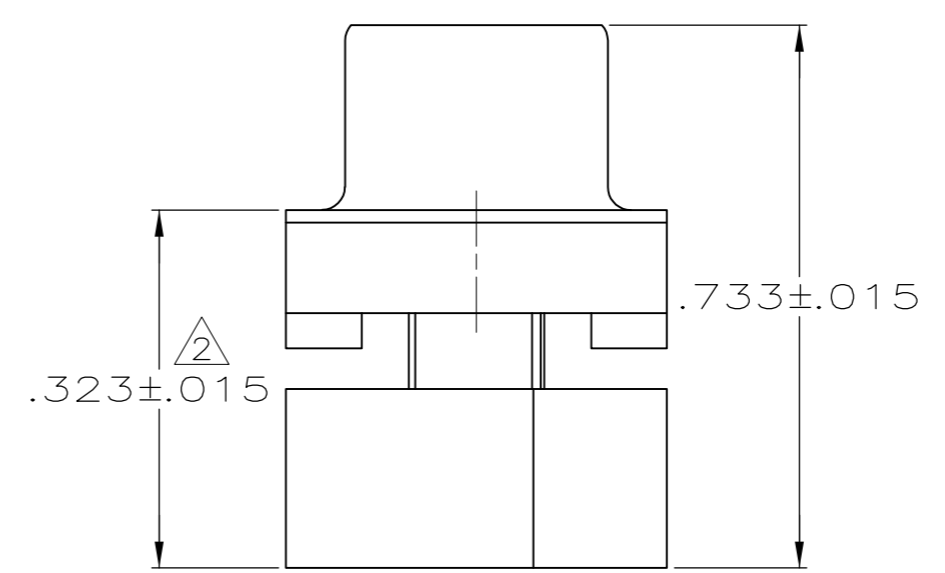
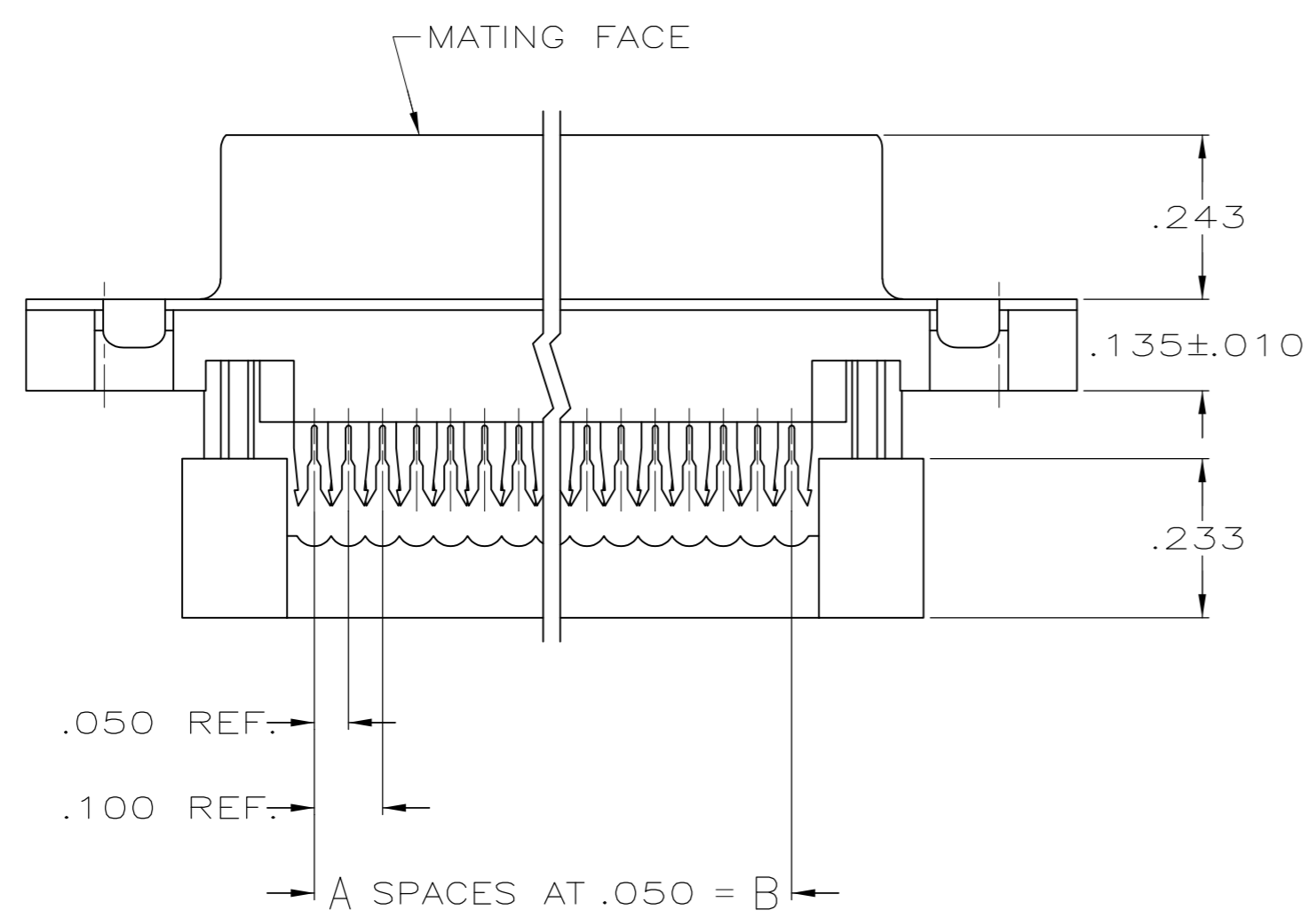
- [Brand](#) = AMP
- [Comment](#) = All plug assemblies are supplied with housing and cover preassembled

THIS DRAWING IS UNPUBLISHED. RELEASED FOR PUBLICATION
 © COPYRIGHT - By - ALL RIGHTS RESERVED.

LOC		DIST		REVISIONS			
P	LTR	DESCRIPTION		DATE	DWN	APVD	
GP	00	P		REVISED PER ECO-11-004835	11MAR11	RK HMR	



- CONNECTOR DESIGNED FOR 28 AND 26 AWG STRANDED AND SOLID CONDUCTOR RIBBON CABLE ON .050 ϕ .
- DIMENSION APPLIES TO TERMINATED CONNECTOR.
- MOLDED PARTS: THERMOPLASTIC, 94V-0 RATED, FLAME RETARDANT, BLACK. SHELL: STEEL PER QQ-S-698. CONTACTS: PHOSPHOR BRONZE PER QQ-B-750.
- GOLD PLATING PER MIL-G-45204, TIN PLATING PER MIL-T-10727, NICKEL PLATING PER QQ-N-290
- SHELL: BRIGHT TIN PLATED. CONTACTS: .000030 MIN GOLD IN LOCALIZED GOLD PLATE AREA, .000100-.000200 MATTE TIN ON TERMINATION END, ALL OVER .000050 MIN NICKEL ON ENTIRE CONTACT.



1.216	.984	.759	.643	.400	8	9	1658612-4
1.541	1.312	1.087	.971	.700	14	15	1658612-3
2.090	1.852	1.623	1.511	1.200	24	25	1658612-2
2.732	2.500	2.275	2.159	1.800	36	37	1658612-1
F	E	D	C	B	A	NO OF POSN	PART NUMBER

THIS DRAWING IS A CONTROLLED DOCUMENT.

DWN	L. BAUM	6/13/03
CHK	C. ROHDE	6/13/03
APVD	M. WALMSLEY	6/13/03
NAME	RCPT ASSY, FRONT METAL SHELL, LEAD-FREE, AMPLIMITE HDF	
PRODUCT SPEC	108-40012	
APPLICATION SPEC	-	
SIZE	CAGE CODE	DRAWING NO
A2	00779	C=1658612
RESTRICTED TO	-	

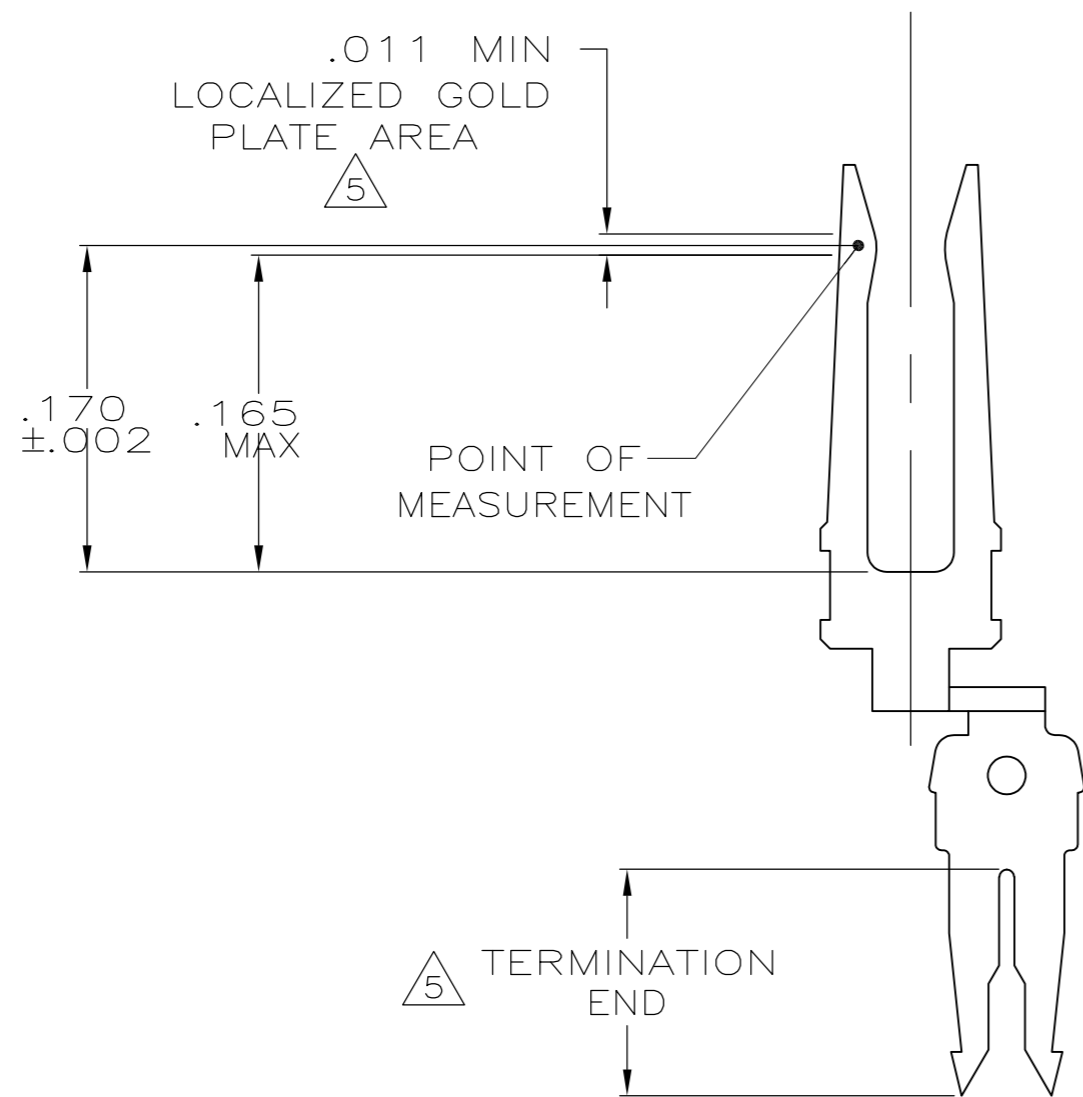
TE Connectivity

MATERIAL	FINISH	WEIGHT	SCALE	SHEET	REV
3	4 5	-	4:1	1 of 2	P

CUSTOMER DRAWING

THIS DRAWING IS UNPUBLISHED. RELEASED FOR PUBLICATION
 © COPYRIGHT - By - ALL RIGHTS RESERVED.

LOC	DIST	REVISIONS					
GP	00	P	LTR	DESCRIPTION	DATE	DWN	APVD
		-	-	SEE SHEET 1	-	-	-



CONTACT DETAIL
SCALE 10:1

THIS DRAWING IS A CONTROLLED DOCUMENT.		DWN	L. BAUM	6/13/03		TE Connectivity			
DIMENSIONS: INCHES		CHK	C. ROHDE	6/13/03		RCPT ASSY, FRONT METAL SHELL, LEAD-FREE, AMPLIMITE HDF			
		APVD	M. WALMSLEY	6/13/03		NAME			
TOLERANCES UNLESS OTHERWISE SPECIFIED: 0 PLC ± - 1 PLC ± - 2 PLC ± - 3 PLC ± .005 4 PLC ± - ANGLES ± 2°		PRODUCT SPEC	108-40012			SIZE	A2	CAGE CODE	00779
MATERIAL: SEE SHEET 1		FINISH	SEE SHEET 1		DRAWING NO	C=1658612		RESTRICTED TO	-
		WEIGHT	-		SCALE	4:1		SHEET	2 of 2
		CUSTOMER DRAWING			REV	P			