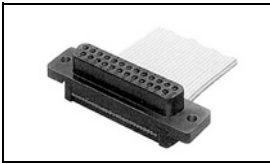


1658614-2 Product Details

[Share](#) [Print](#) [Email](#)



1658614-2

TE Internal Number: 1658614-2

Active

[View 3D PDF](#)

Standard Cable Connectors

[Always EU RoHS/ELV Compliant](#) (Statement of Compliance)

Product Highlights:

- Connector
- Product Series = HDF-20 (Ribbon Cable)
- 25 Positions
- Without Enclosure
- Connector Style = Receptacle

[View all Features](#)

Quick Links

- ▶ [Pricing & Availability](#)
- ▶ [Search for Tooling](#)
- ▶ [View Mating Products \(13\)](#)
- ▶ [Product Feature Selector](#)
- ▶ [Contact Us About This Product](#)

[Add to My Part List](#) [Request Sample](#) [Find Similar Products](#) [Buy Product](#)

Documentation & Additional Information

Product Drawings:

- [RECEPTACLE ASSEMBLY, LEAD-FREE, AMPLIMITE HDF](#) (PDF, English)

Catalog Pages/Data Sheets:

- [AMPLIMITE Subminiature D Connectors - Cable Connectors](#) (PDF, English)

Product Specifications:

- [AMPLIMITE HDF-20 Low Profile Connector](#) (PDF, English)

Application Specifications:

- None Available

Instruction Sheets:

- [Connector-Specific Kit 768349-1 for AMP-LATCH HDF Lo...](#) (PDF, English)

CAD Files: (CAD Format & Compression Information)

- [2D Drawing](#) (DXF, Version 01)
- [3D Model](#) (IGES, Version 01)
- [3D Model](#) (STEP, Version 01)

[List all Documents](#)

Additional Information:

- [Product Line Information](#)

Additional Product Images:

- [Panel Mount Cutout Dimensions](#)
- [Mating View](#)

Related Products:

- [Tooling](#)
- [Mating Products \(13\)](#)

Product Features (Please use the Product Drawing for all design activity)

Product Type Features:

- [Product Type](#) = Connector
- [Product Series](#) = HDF-20 (Ribbon Cable)
- [Wire/Cable Type](#) = Ribbon Cable
- [Termination Method to Wire/Cable](#) = Insulation Displacement Crimp (IDC)
- [Mating Connector Lock](#) = With
- [Mating Connector Lock Type](#) = Mounting Holes
- [Shell Size](#) = 3
- [Shell Type](#) = All Plastic
- [Grounding Indents](#) = Without
- [Grade](#) = Standard
- [Profile](#) = Low
- [Color](#) = Black
- [Cover Material](#) = Thermoplastic

Termination Features:

- [Solder Tail Contact Plating](#) = Tin over Nickel

Dimensions:

- [Cable Insulation Diameter \(mm \[in\]\)](#) = 0.81 - 0.97 [0.032 - 0.038]

Body Features:

- [Wire Range \(mm² \[AWG\]\)](#) = 0.08 - 0.15 [28-26]
- [Ribbon Cable Centerline Spacing \(mm \[in\]\)](#) = 1.27 [0.050]
- [Optional Cable Stabilizer](#) = 747275-2
- [Strain Relief Part Number](#) = 747275-2

Contact Features:

- [Contact Type](#) = Socket
- [Contact Base Material](#) = Phosphor Bronze
- [Contact Plating, Mating Area, Material](#) = Gold (30)
- [Contact Size](#) = 20

Housing Features:

- [Enclosure](#) = Without
- [Connector Style](#) = Receptacle
- [Housing Material](#) = Thermoplastic - GF
- [UL Flammability Rating](#) = UL 94V-0

Configuration Features:

- [Number of Positions](#) = 25
- [Preloaded](#) = Yes

Industry Standards:

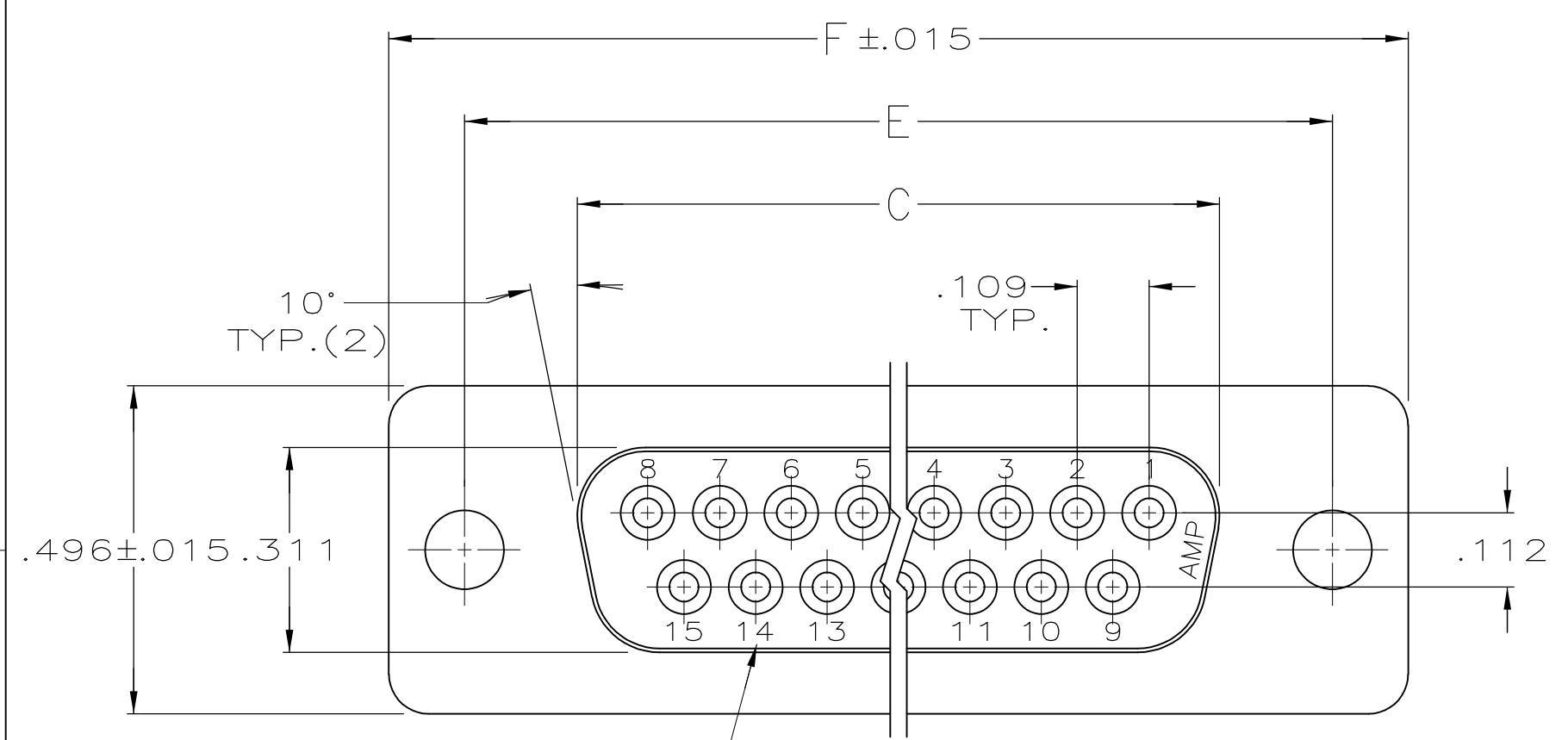
- [RoHS/ELV Compliance](#) = RoHS compliant, ELV compliant
- [Lead Free Solder Processes](#) = Not relevant for lead free process
- [RoHS/ELV Compliance History](#) = Always was RoHS compliant

Other:

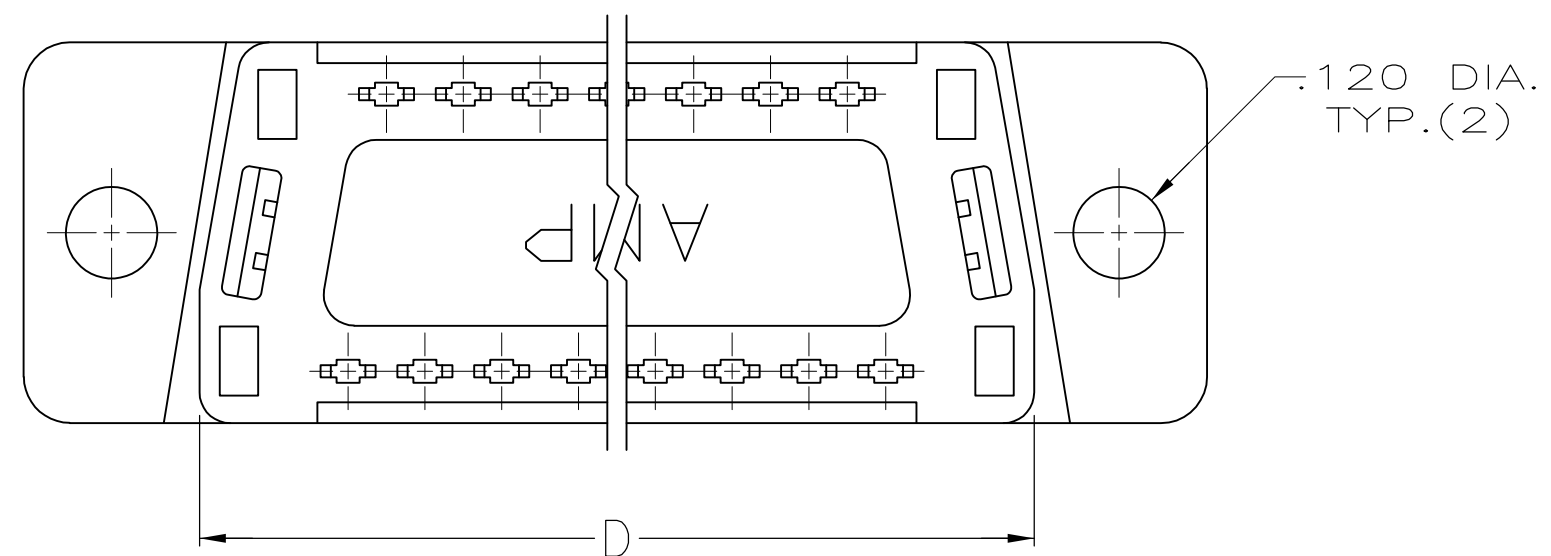
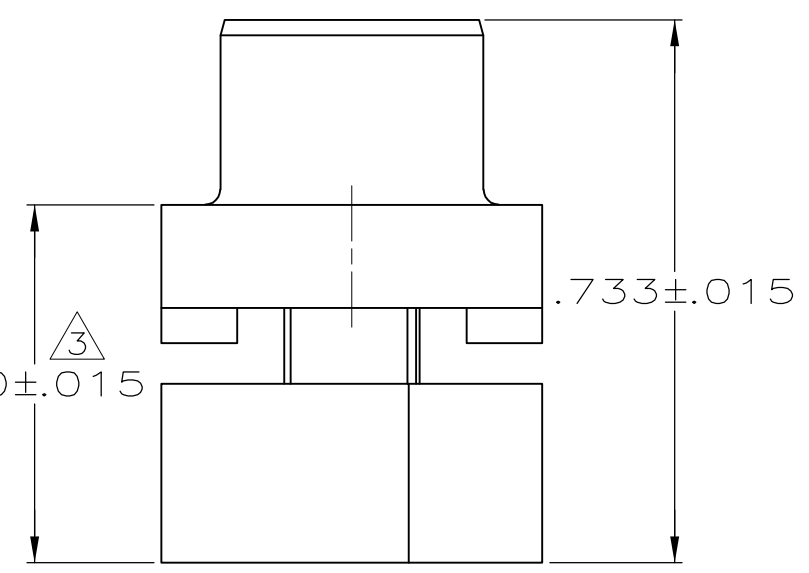
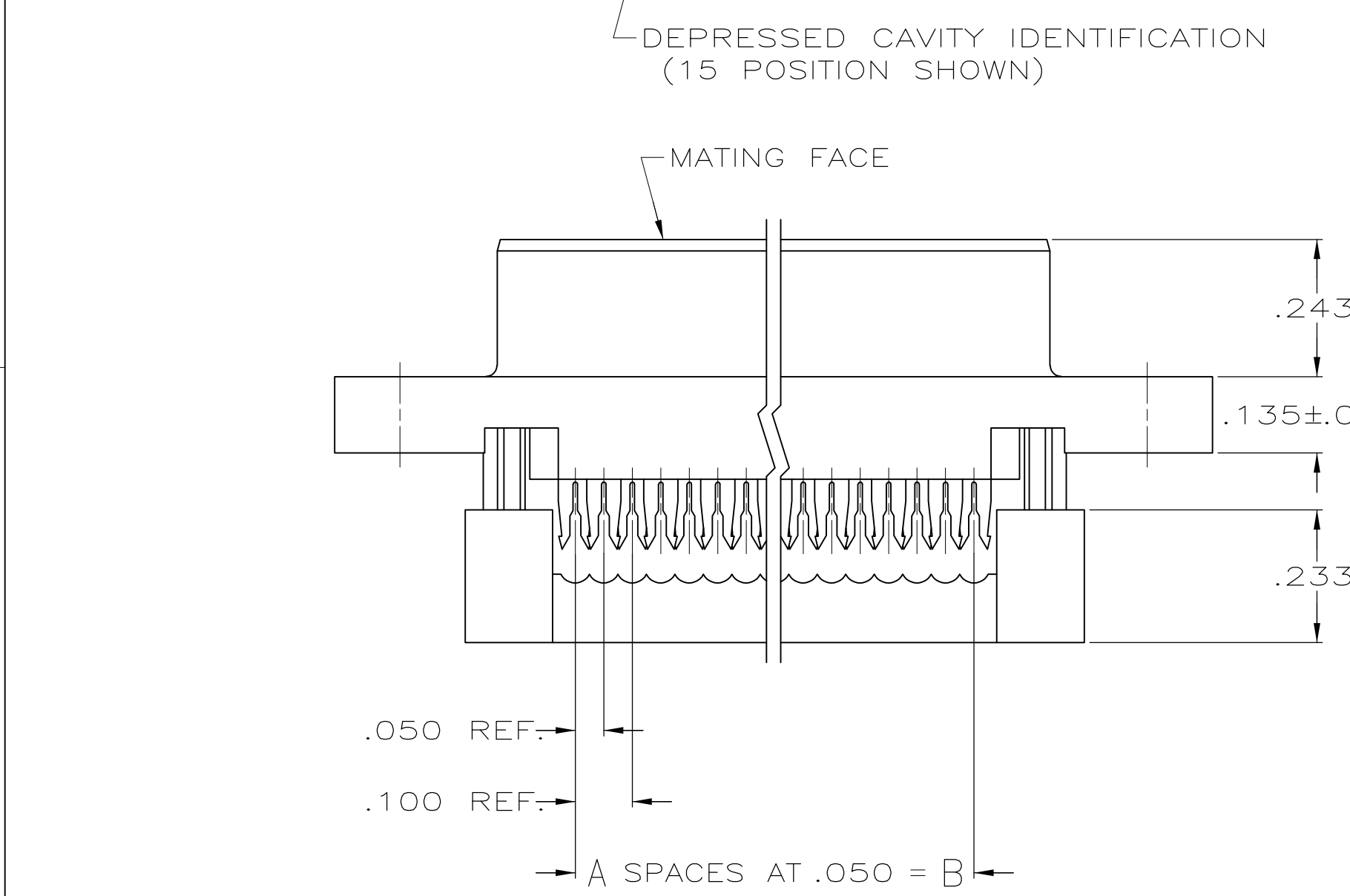
- [Brand](#) = AMP
- [Comment](#) = All plug assemblies are supplied with housing and cover preassembled

THIS DRAWING IS UNPUBLISHED. RELEASED FOR PUBLICATION
 © COPYRIGHT - By - ALL RIGHTS RESERVED.

LOC		DIST		REVISIONS			
P	LTR	DESCRIPTION		DATE	DWN	APVD	
GP	00	P		REVISED PER ECO-11-004835	11MAR11	RK HMR	



1. CONNECTORS COMPLY WITH AMP SPEC. 108-40,012 AND MATE WITH ANY SAME NUMBER POSITION PLUG CONNECTOR IN AMPLIMITE SERIES.
2. CONNECTOR DESIGNED FOR 28 AND 26 AWG STRANDED AND SOLID CONDUCTOR RIBBON CABLE ON $.050 \phi$.
3. DIMENSION APPLIES TO TERMINATED CONNECTOR.
4. MOLDED PARTS: FLAME RETARDANT 94V-0 RATED THERMOPLASTIC; COLOR: BLACK.
5. CONTACTS: PHOS. BRONZE PER QQ-B-750.
6. GOLD PLATING PER MIL-G-45204, TIN PLATING PER MIL-T-10727, NICKEL PLATING PER QQ-N-290
7. CONTACTS: PLATED WITH $.000030$ GOLD IN LOCALIZED GOLD PLATE AREA, $.000100 - .000200$ MATTE TIN ON TERMINATION END, ALL OVER $.000050$ NICKEL ON ENTIRE CONTACT.



1.216	.984	.759	.643	.400	8	9	1658614-4
1.541	1.312	1.087	.971	.700	14	15	1658614-3
2.090	1.852	1.623	1.511	1.200	24	25	1658614-2
2.732	2.500	2.275	2.159	1.800	36	37	1658614-1
F	E	D	C	B	A	NO.OF POS.	PART NUMBER

THIS DRAWING IS A CONTROLLED DOCUMENT.

DWN	L. BAUM	6/13/03
CHK	C. ROHDE	6/13/03
APVD	M. WALMSLEY	6/13/03
PRODUCT SPEC		
APPLICATION SPEC		
WEIGHT	-	

TE Connectivity

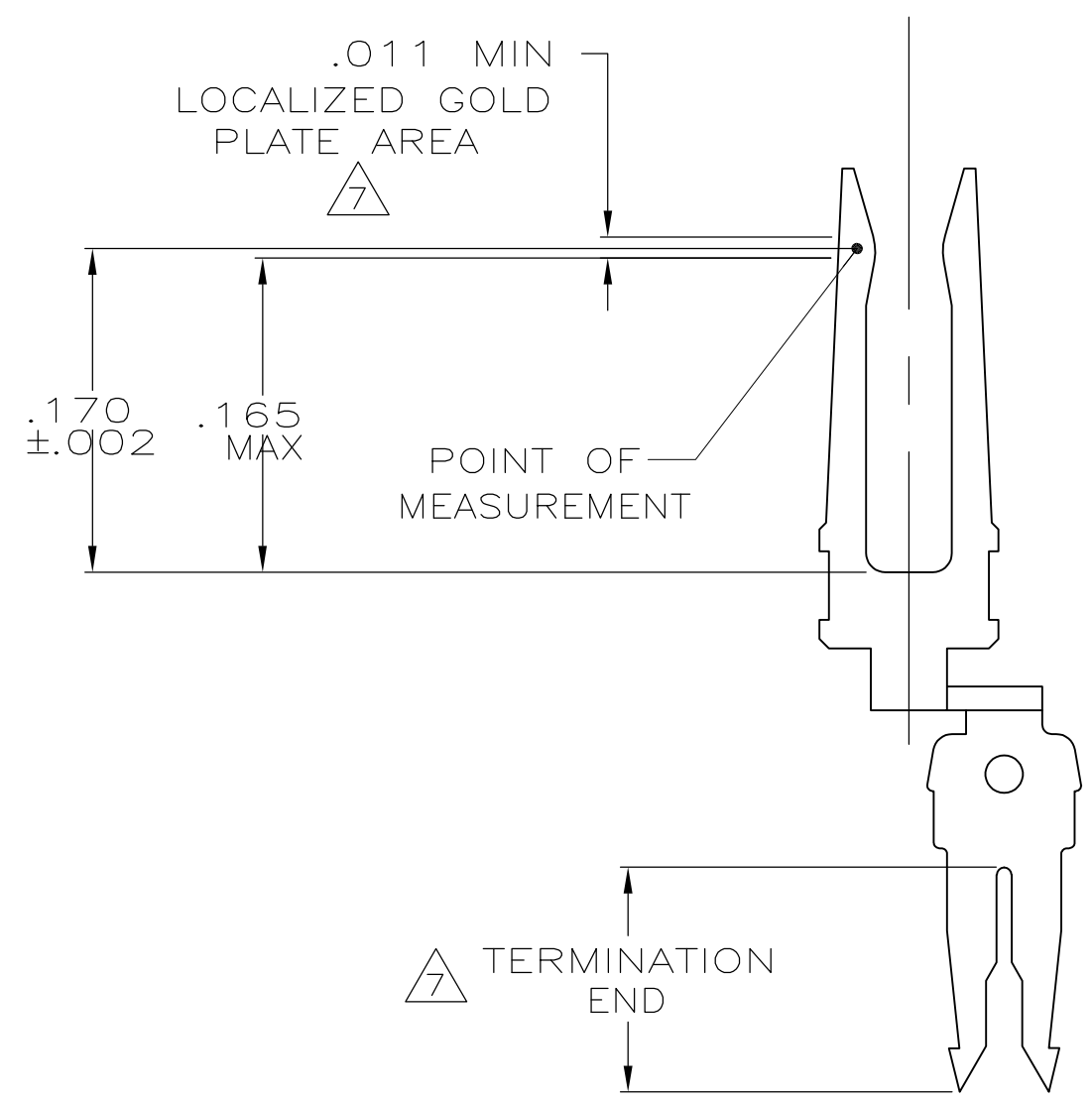
NAME: RECEPTACLE ASSEMBLY, LEAD-FREE, AMPLIMITE HDF

SIZE: A2 CAGE CODE: 00779 DRAWING NO: 1658614 RESTRICTED TO: -

MATERIAL: FINISH: CUSTOMER DRAWING SCALE: 4:1 SHEET: 1 of 2 REV: P

THIS DRAWING IS UNPUBLISHED. RELEASED FOR PUBLICATION
 © COPYRIGHT - By - ALL RIGHTS RESERVED.

LOC	DIST	REVISIONS					
GP	00	P	LTR	DESCRIPTION	DATE	DWN	APVD
		-	-	SEE SHEET 1	-	-	-



CONTACT DETAIL
 SCALE 10:1

THIS DRAWING IS A CONTROLLED DOCUMENT.		DWN	L. BAUM	6/13/03	TE TE Connectivity																		
DIMENSIONS: INCHES		CHK	C. ROHDE	6/13/03																			
TOLERANCES UNLESS OTHERWISE SPECIFIED:		APVD	M. WALMSLEY	6/13/03																			
<table border="0"> <tr><td>0 PLC</td><td>±</td><td>-</td></tr> <tr><td>1 PLC</td><td>±</td><td>-</td></tr> <tr><td>2 PLC</td><td>±</td><td>-</td></tr> <tr><td>3 PLC</td><td>±</td><td>.005</td></tr> <tr><td>4 PLC</td><td>±</td><td>-</td></tr> <tr><td>ANGLES</td><td>±</td><td>2°</td></tr> </table>		0 PLC	±	-		1 PLC	±	-	2 PLC	±	-	3 PLC	±	.005	4 PLC	±	-	ANGLES	±	2°	PRODUCT SPEC	NAME	
0 PLC	±	-																					
1 PLC	±	-																					
2 PLC	±	-																					
3 PLC	±	.005																					
4 PLC	±	-																					
ANGLES	±	2°																					
MATERIAL		APPLICATION SPEC		SIZE		CAGE CODE	DRAWING NO	RESTRICTED TO															
SEE SHEET 1		FINISH		A2		00779	C=1658614	-															
SEE SHEET 1		WEIGHT		CUSTOMER DRAWING		SCALE	SHEET	REV															
		-				4:1	2 of 2	P															

1658614