



Have a Question?
Chat with a Product
Information Specialist

What can we help you find?

Products Industries Resources About TE My Account Innovation Support Center

1658645-1 Product Details

Share Print Email



1658645-1

TE Internal Number: 1658645-1

Active

View 3D PDF

Standard Cable Connectors

Always EU RoHS/ELV Compliant (Statement of Compliance)

Product Highlights:

- Connector
- Product Series = HDP-20 (Crimp Snap)
- 9 Positions
- With Enclosure
- Shielded

View all Features

Quick Links

- ▶ Pricing & Availability
- ▶ Search for Tooling
- ▶ View Mating Products (8)
- ▶ View Plug Kits (5)
- ▶ Product Feature Selector
- ▶ Contact Us About This Product

Add to My Part List Request Sample Find Similar Products Buy Product

Documentation & Additional Information

Product Drawings:

- KIT, PLUG, SHIELDING HARDWARE, SIZE 1, 9 POSITION, A... (PDF, English)

Catalog Pages/Data Sheets:

- AMPLIMITE Subminiature D Connectors - Cable Connectors (PDF, English)

Product Specifications:

- AMPLIMITE HDP-20 Subminiature D Connector With F Cri... (PDF, English)

Application Specifications:

- AMPLIMITE HDP-20 and Economy Crimp Snap Subminiature... (PDF, English)

Instruction Sheets:

- Shielding Hardware Kits w/AMPLIMITE hde-20 hdp-20 an... (PDF, English)
- Insertion/Extraction Tool 91285-1 and Replacement Ti... (PDF, English)

CAD Files: (CAD Format & Compression Information)

- 2D Drawing (DXF, Version 0)
- 3D Model (IGES, Version 0)
- 3D Model (STEP, Version 0)

List all Documents

Additional Information:

- Product Line Information

Related Products:

- Tooling
- Mating Products (8)
- Plug Kits (5)

Product Features (Please use the Product Drawing for all design activity)

Product Type Features:

- Product Type = Connector
- Product Series = HDP-20 (Crimp Snap)
- Mating Connector Lock = With
- Mating Connector Lock Type = Mounting Holes
- Shell Size = 1
- Shell Type = Full Metal Shell
- Grounding Indents = With
- Grade = Standard
- Color = Black
- Shell Material = Steel
- Shield Material = Steel

Electrical Characteristics:

- Shielded = Yes

Dimensions:

- Cable Insulation Diameter (mm [in]) = 4.19 - 11.56 [0.165 - 0.455]
- Cable Diameter (Max.) (mm [in]) = 8.89 [0.350]

Body Features:

- Shell Plating = Tin
- Shield Plating = Tin over Copper
- Insert Material = Thermoplastic

Contact Features:

- Contact Size = 20

Housing Features:

- Enclosure = With
- Connector Style = Plug
- Housing Material = Nylon
- UL Flammability Rating = UL 94V-0
- Housing Color = Black

Configuration Features:

- Number of Positions = 9
- Preloaded = No
- Pre-Assembled = No

Industry Standards:

- RoHS/ELV Compliance = RoHS compliant, ELV compliant
- Lead Free Solder Processes = Not relevant for lead free process
- RoHS/ELV Compliance History = Always was RoHS compliant
- Insert Flammability Rating = UL 94V-0

Packaging Features:

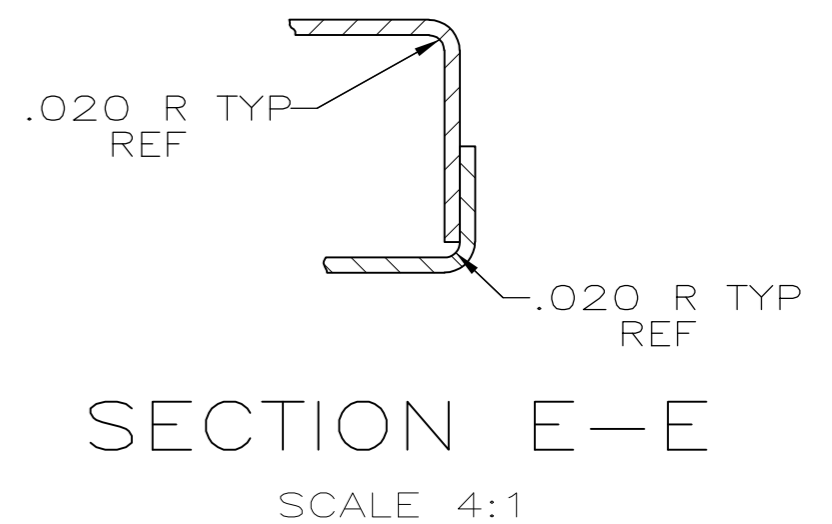
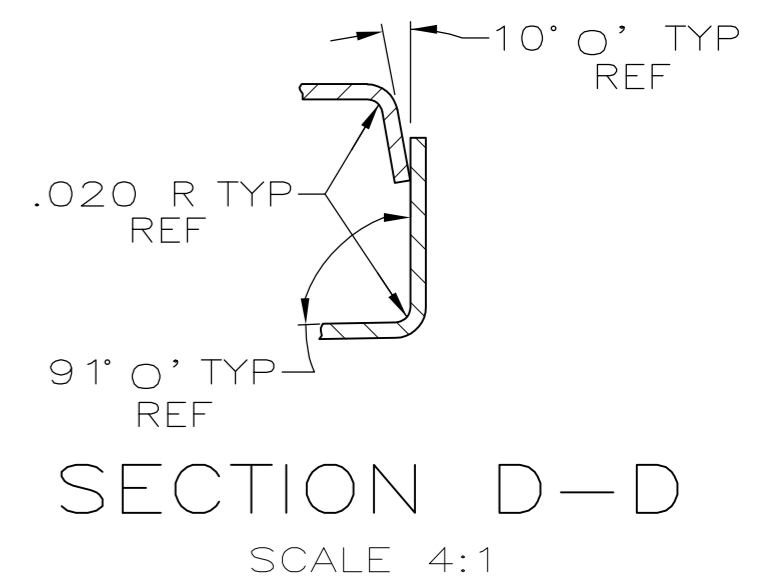
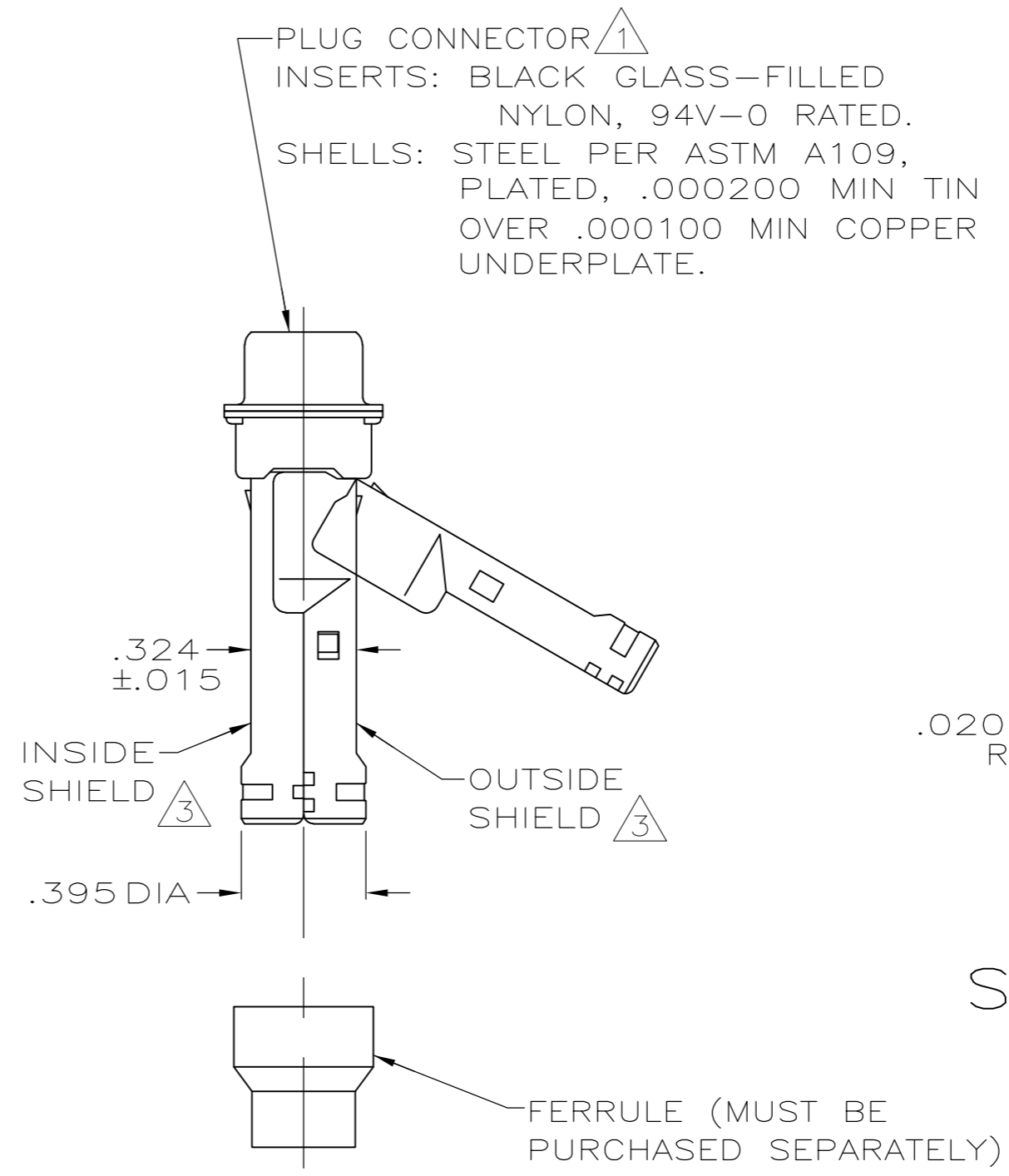
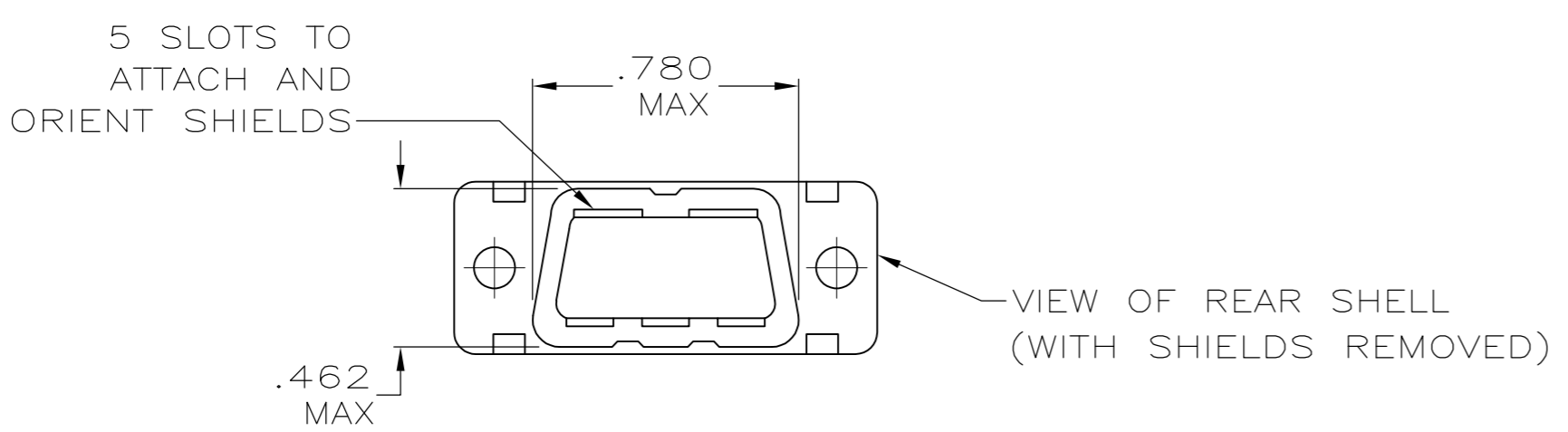
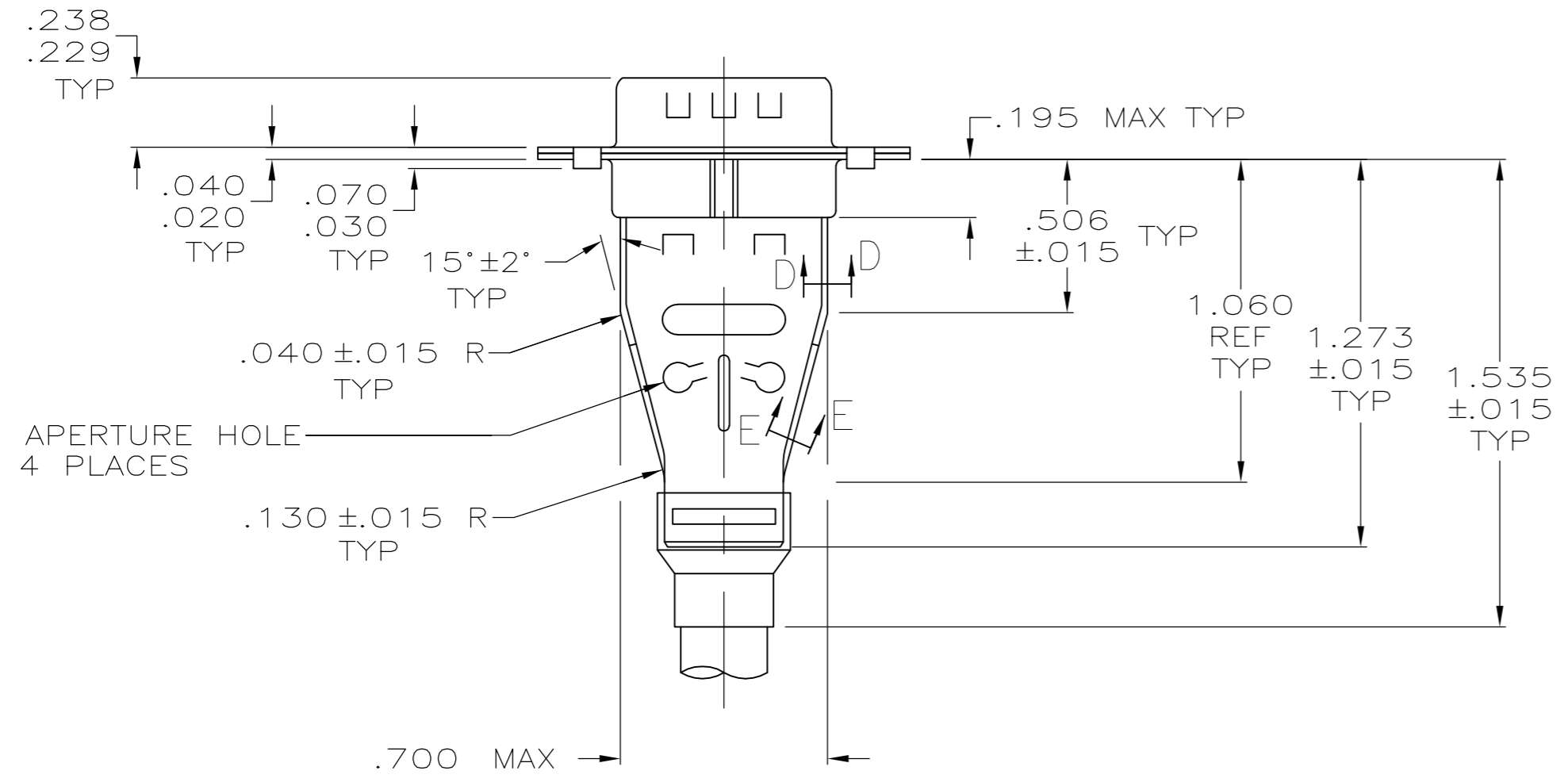
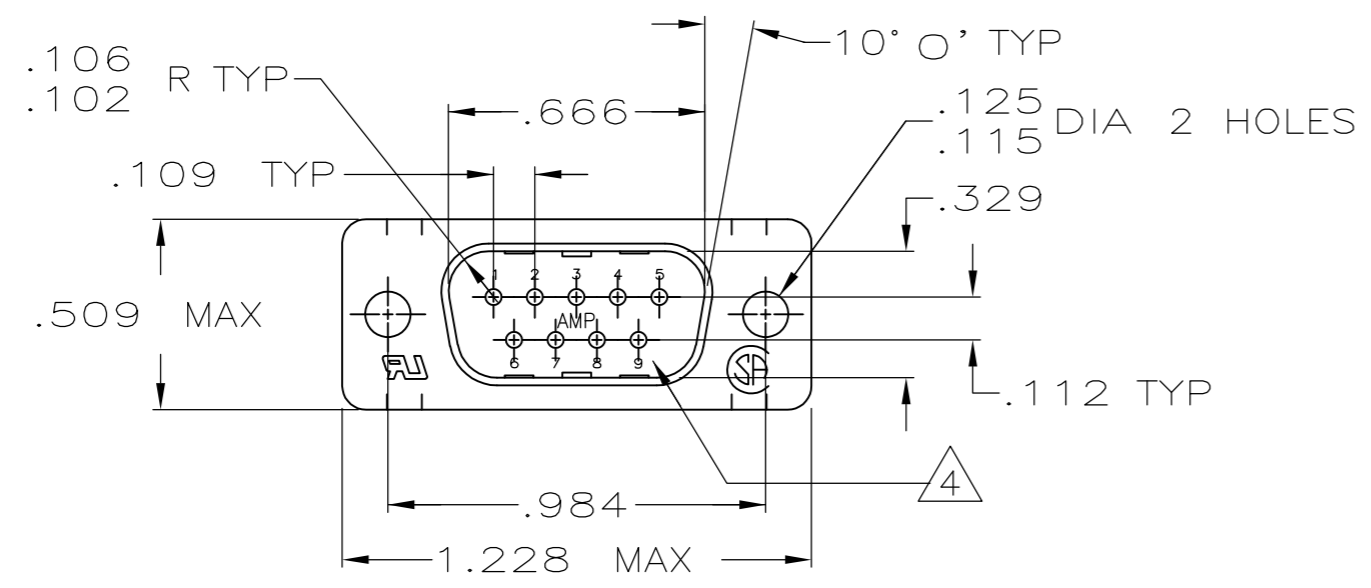
- Packaging Method = Bulk
- Packaging Quantity = 100

Other:

- Brand = AMP
- Comment = Components shipped unassembled, each part bulk-packaged.; Plugs accept size 20 DF pin contacts.; Maximum cable diameter after jacket and braid removed.

THIS DRAWING IS UNPUBLISHED. RELEASED FOR PUBLICATION
 © COPYRIGHT - By - ALL RIGHTS RESERVED.

LOC		DIST		REVISIONS			
P	LTR	DESCRIPTION	DATE	DWN	APVD		
GP	00						
P		REVISED PER ECO-11-004835	11MAR11	RK	HMR		



- ⚠️ PLUG ACCEPTS SIZE 20 PIN CONTACTS (CONTACTS MUST BE ORDERED SEPARATELY).
- 2. ALL PARTS SHIPPED UNASSEMBLED, EACH PART INDIVIDUALLY BULK PACKED.
- ⚠️ SHIELDS: MATERIAL-.020 THICK STEEL, PER ASTM A109, PLATED .000200 MIN TIN OVER .000100 MIN COPPER UNDERPLATE.
- ⚠️ RAISED CAVITY IDENTIFICATION AND AMP TRADEMARK.

1658645-1
PART NUMBER

THIS DRAWING IS A CONTROLLED DOCUMENT.		DWN	J.REITZEL	26AUG03	 TE Connectivity	NAME		KIT, PLUG, SHIELDING HARDWARE, SIZE 1, 9 POSITION, AMPLIMITE™ HDP-20				
DIMENSIONS: INCHES		CHK	S.BOLASH	26AUG03		PRODUCT SPEC		108-40030	SIZE	A2		
TOLERANCES UNLESS OTHERWISE SPECIFIED:		APVD	M.WALMSLEY	26AUG03		APPLICATION SPEC		114-40030	CAGE CODE	00779		
0 PLC ± - 1 PLC ± - 2 PLC ± - 3 PLC ± .005 4 PLC ± - ANGLES ± 0° 30'		MATERIAL		FINISH		WEIGHT	DRAWING NO		C=1658645	RESTRICTED TO		
SEE CALL OUT ⚠️		SEE CALL OUT ⚠️		CUSTOMER DRAWING		SCALE		2:1	SHEET	1 of 1	REV	P