

## 1658610-2 Product Details



**1658610-2**

TE Internal Number: 1658610-2

 Active

### Standard Cable Connectors

 Always EU RoHS/ELV Compliant (Statement of Compliance)

#### Product Highlights:

- Connector
- Product Series = HDF-20 (Ribbon Cable)
- 25 Positions
- Without Enclosure
- Connector Style = Receptacle

### Documentation & Additional Information

#### Product Drawings:

- [RECPT ASSY, FRONT METAL SHELL, THREADED INSERTS, LEA...](#) (PDF, English)

#### Catalog Pages/Data Sheets:

- [AMPLIMITE Subminiature D Connectors - Cable Connectors](#) (PDF, English)

#### Product Specifications:

- [AMPLIMITE HDF-20 Low Profile Connector](#) (PDF, English)

#### Application Specifications:

- None Available

#### Instruction Sheets:

- [Connector-Specific Kit 768349-1 for AMP-LATCH HDF Lo...](#) (PDF, English)

#### CAD Files: (CAD Format & Compression Information)

- [2D Drawing](#) (DXF, Version A1)
- [3D Model](#) (IGES, Version A1)
- [3D Model](#) (STEP, Version A1)

#### Additional Information:

- [Product Line Information](#)

#### Additional Product Images:

- [Panel Mount Cutout Dimensions](#)

#### Related Products:

- [Tooling](#)
- [Mating Products \(65\)](#)

### Product Features (Please use the Product Drawing for all design activity)

#### Product Type Features:

- [Product Type](#) = Connector
- [Product Series](#) = HDF-20 (Ribbon Cable)
- [Wire/Cable Type](#) = Ribbon Cable
- [Termination Method to Wire/Cable](#) = Insulation Displacement Crimp (IDC)
- [Mating Connector Lock](#) = With
- [Mating Connector Lock Type](#) = Threaded Insert, 4-40 UNC
- [Shell Size](#) = 3
- [Shell Type](#) = Front Metal Shell
- [Grounding Indents](#) = Without
- [Grade](#) = Standard
- [Profile](#) = Low
- [Color](#) = Black
- [Shell Material](#) = Steel
- [Thread Type](#) = Standard
- [Threaded Insert Material](#) = Brass
- [Cover Material](#) = Thermoplastic

#### Termination Features:

- [Solder Tail Contact Plating](#) = Tin over Nickel

#### Dimensions:

- [Cable Insulation Diameter \(mm \[in\]\)](#) = 0.81 - 0.97 [0.032 - 0.038]

#### Body Features:

- [Wire Range \(mm<sup>2</sup> \[AWG\]\)](#) = 0.08 - 0.15 [28-26]
- [Ribbon Cable Centerline Spacing \(mm \[in\]\)](#) = 1.27 [0.050]
- [Shell Plating](#) = Bright Tin
- [Threaded Insert Plating](#) = None
- [Optional Cable Stabilizer](#) = 747275-2
- [Strain Relief Part Number](#) = 747275-2

#### Contact Features:

- [Contact Type](#) = Socket
- [Contact Base Material](#) = Phosphor Bronze
- [Contact Plating, Mating Area, Material](#) = Gold (30)
- [Contact Size](#) = 20

#### Housing Features:

- [Enclosure](#) = Without
- [Connector Style](#) = Receptacle
- [Housing Material](#) = Thermoplastic - GF
- [UL Flammability Rating](#) = UL 94V-0

#### Configuration Features:

- [Number of Positions](#) = 25
- [Preloaded](#) = Yes

#### Industry Standards:

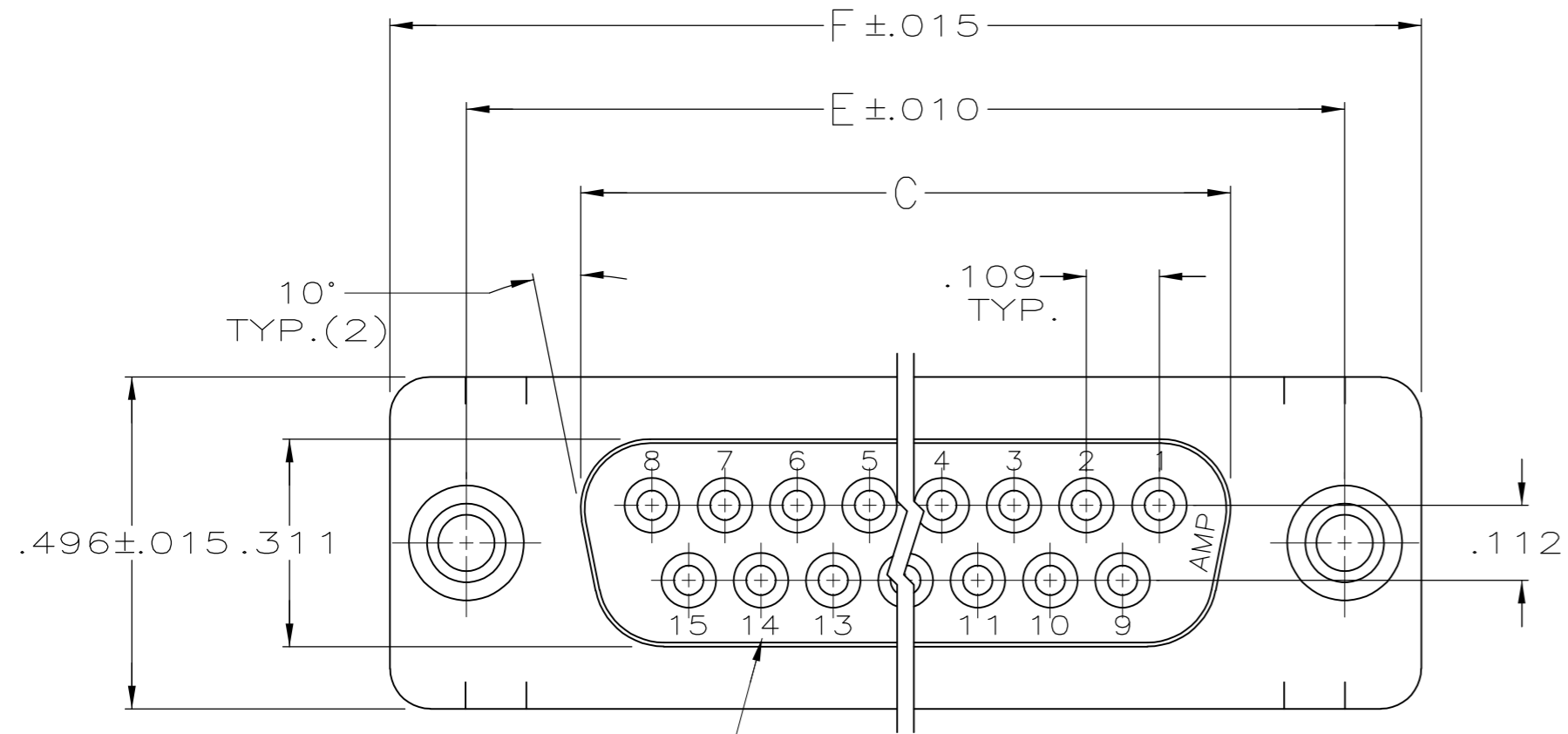
- [RoHS/ELV Compliance](#) = RoHS compliant, ELV compliant
- [Lead Free Solder Processes](#) = Not relevant for lead free process
- [RoHS/ELV Compliance History](#) = Always was RoHS compliant

#### Other:

- [Brand](#) = AMP
- [Comment](#) = All plug assemblies are supplied with housing and cover preassembled

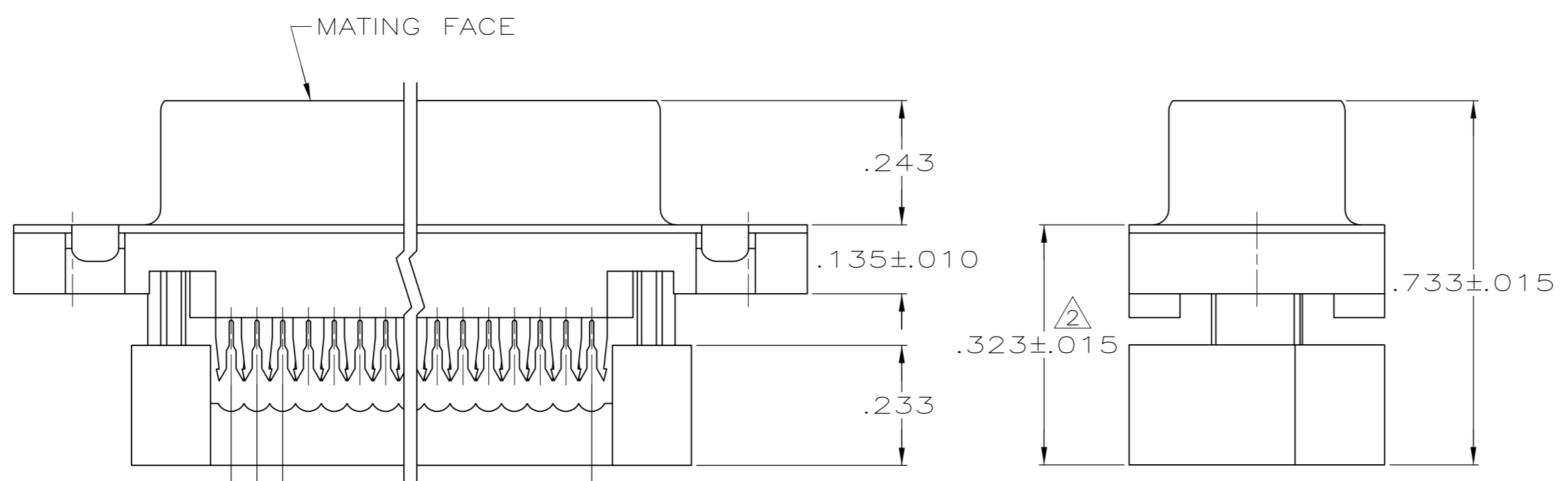
THIS DRAWING IS UNPUBLISHED. RELEASED FOR PUBLICATION  
 © COPYRIGHT - By - ALL RIGHTS RESERVED.

LOC		DIST		REVISIONS			
P	LTR	DESCRIPTION		DATE	DWN	APVD	
GP	00	A3		REVISED PER ECO-11-004835	11MAR11	RK	HMR

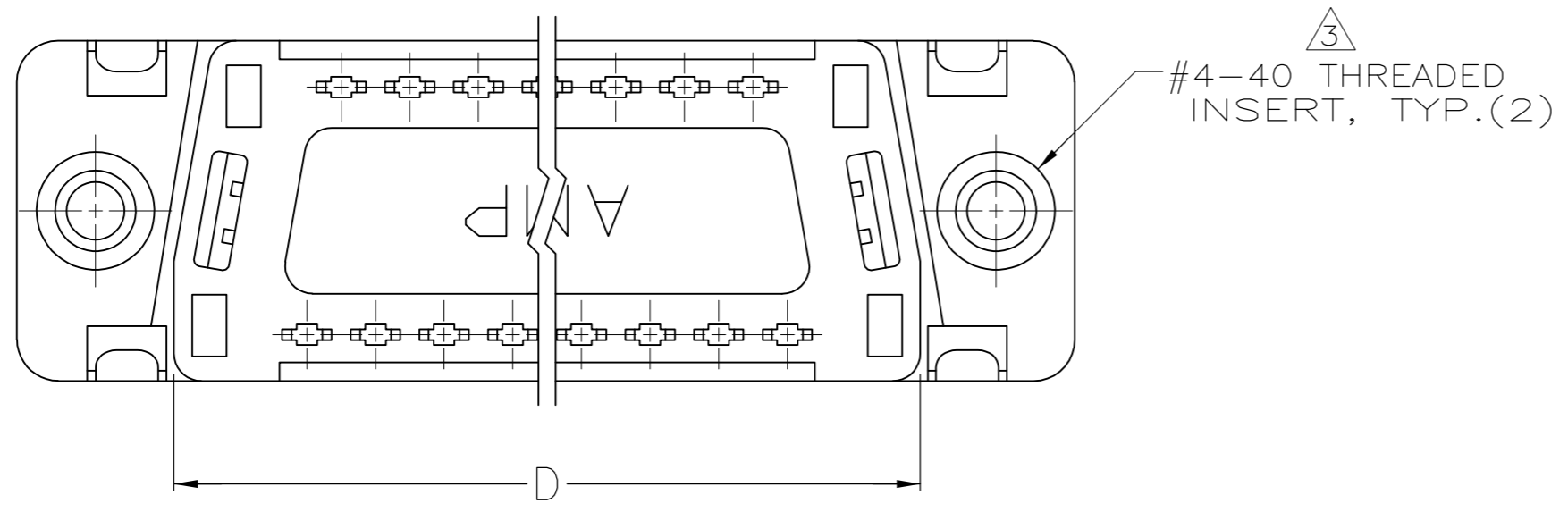


DEPRESSED CAVITY IDENTIFICATION  
(15 POSITION SHOWN)

- CONNECTOR DESIGNED FOR 28 AND 26 AWG STRANDED AND SOLID CONDUCTOR RIBBON CABLE ON .050 $\phi$ .
- DIMENSION APPLIES TO TERMINATED CONNECTOR.
- INSERTS WILL WITHSTAND 6 IN LBS TORQUE AND 50 LBS PULL OUT FORCE FROM MATING FACE SIDE.
- HOUSING: THERMOPLASTIC, 94V-0 RATED, FLAME RETARDANT, COLOR: SEE TABLE. COVER: THERMOPLASTIC, 94V-0 RATED, FLAME RETARDANT, COLOR: BLACK. SHELL: STEEL PER QQ-S-698. CONTACTS: PHOSPHOR BRONZE PER QQ-B-750. INSERTS: BRASS PER MIL-C-50.
- GOLD PLATING PER MIL-G-45204, TIN PLATING PER MIL-T-10727, NICKEL PLATING PER QQ-N-290.
- SHELL: BRIGHT TIN PLATED. CONTACTS: .000030 MIN GOLD IN LOCALIZED GOLD PLATE AREA, .000100-.000200 MATTE TIN ON TERMINATION END, ALL OVER .000050 MIN NICKEL ON ENTIRE CONTACT.
- COLOR- C99 PANTONE 131C, GOLD.
- OBSOLETE PARTS: OBSOLETE CIS STREAMLINING PER D.RENAUD/D.SINISI



.050 REF.  
.100 REF.  
A SPACES AT .050 = B



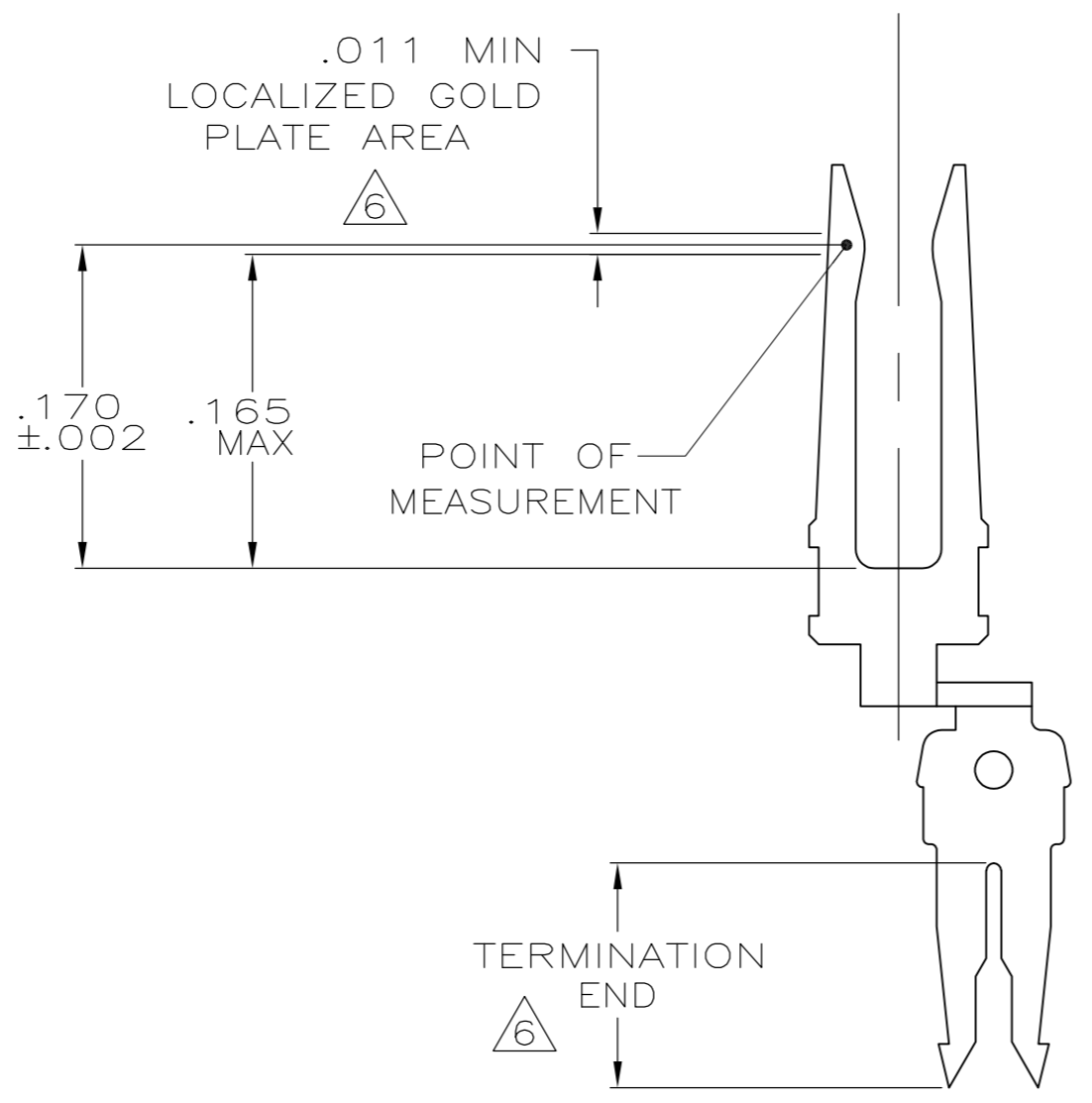
F	E	D	C	B	A	HOUSING COLOR	NO OF POSN	PART NUMBER
1.541	1.312	1.087	.971	.700	14	BLACK	15	1658610-6
1.216	.984	.759	.643	.400	8	BLACK	9	1658610-4
1.541	1.312	1.087	.971	.700	14	BLACK	15	1658610-3
2.090	1.852	1.623	1.511	1.200	24	BLACK	25	1658610-2
2.732	2.500	2.275	2.159	1.800	36	BLACK	37	1658610-1

THIS DRAWING IS A CONTROLLED DOCUMENT.

DIMENSIONS: INCHES	TOLERANCES UNLESS OTHERWISE SPECIFIED:	DWN B. MCMASTER 30MAR04	
	0 PLC ± -	CHK C. ROHDE 30MAR04	
	1 PLC ± -	APVD M. WALMSLEY 30MAR04	
	2 PLC ± -	NAME	
	3 PLC ± .005	PRODUCT SPEC	
4 PLC ± -	APPLICATION SPEC	108-40012	REPT ASSY, FRONT METAL SHELL, THREADED INSERTS, LEAD-FREE, AMPLIMITE HDF
ANGLES ± 2°	FINISH	SIZE A2	CAGE CODE 00779
MATERIAL	FINISH	WEIGHT -	DRAWING NO C=1658610
FINISH	FINISH	CUSTOMER DRAWING	RESTRICTED TO -
FINISH	FINISH	SCALE 4:1	SHEET 1 of 2
FINISH	FINISH	REV A3	

THIS DRAWING IS UNPUBLISHED. RELEASED FOR PUBLICATION  
 © COPYRIGHT - By - ALL RIGHTS RESERVED.

LOC	DIST	REVISIONS			
P	LTR	DESCRIPTION	DATE	DWN	APVD
GP	00	SEE SHEET 1	-	-	-



CONTACT DETAIL  
 SCALE 10:1

THIS DRAWING IS A CONTROLLED DOCUMENT.		DWN B. MCMASTER 30MAR04	<b>TE</b> TE Connectivity	
DIMENSIONS: INCHES		CHK C. ROHDE 30MAR04		
TOLERANCES UNLESS OTHERWISE SPECIFIED:		APVD M. WALMSLEY 30MAR04	NAME	
0 PLC ± -		PRODUCT SPEC	RECP ASSY, FRONT METAL SHELL, THREADED INSERTS, LEAD-FREE, AMPLIMITE HDF	
1 PLC ± -		108-40012	SIZE	RESTRICTED TO
2 PLC ± -		APPLICATION SPEC	CAGE CODE	DRAWING NO
3 PLC ± .005			A2 00779	C=1658610
4 PLC ± -		MATERIAL	SCALE	SHEET
ANGLES ± 2°		FINISH	4:1	2 OF 2
MATERIAL		WEIGHT	CUSTOMER DRAWING	REV
-		-		A3

1658610