



Have a Question?
Chat with a Product
Information Specialist

What can we help you find?

[Products](#) [Industries](#) [Resources](#) [About TE](#) [My Account](#) [Innovation](#) [Support Center](#)

5747250-3 Product Details

[Share](#) [Print](#) [Email](#)



5747250-3

TE Internal Number: 5747250-3

Active

[View 3D PDF](#)

Standard Board Mount Connectors

Always EU RoHS/ELV Compliant (Statement of Compliance)

Product Highlights:

- 9 Positions
- Connector Style = Plug
- PCB Mounting Orientation = Right Angle
- Product Series = HD 20
- With Mating Connector Lock

[View all Features](#)

Quick Links

- ▶ [Pricing & Availability](#)
- ▶ [Search for Tooling](#)
- ▶ [View Mating Products \(10\)](#)
- ▶ [Product Feature Selector](#)
- ▶ [Contact Us About This Product](#)

[Add to My Part List](#) [Request Sample](#) [Find Similar Products](#) [Buy Product](#)

Documentation & Additional Information

Product Drawings:

- [PLUG ASSEMBLY, SIZE 1, 9 POSITION, RIGHT ANGLE, FRON...](#) (PDF, English)

Catalog Pages/Data Sheets:

- [AMPLIMITE Subminiature D Connectors - Right-Angle Po...](#) (PDF, English)

Product Specifications:

- None Available

Application Specifications:

- None Available

Instruction Sheets:

- None Available

CAD Files: [\(CAD Format & Compression Information\)](#)

- [2D Drawing](#) (DXF, Version C)
- [3D Model](#) (IGES, Version C)
- [3D Model](#) (STEP, Version C)

[List all Documents](#)

Additional Information:

- [Product Line Information](#)

Related Products:

- [Tooling](#)
- [Mating Products \(10\)](#)

Product Features (Please use the Product Drawing for all design activity)

Product Type Features:

- [PCB Mounting Orientation](#) = Right Angle
- [Product Series](#) = HD 20
- [Mating Connector Lock](#) = With
- [Mating Connector Lock Type](#) = Threaded Insert, 4-40 UNC
- [PCB Mount Retention](#) = With
- [PCB Mount Retention Type](#) = Mounting Hole(s)
- [Shell Type](#) = Front Metal Shell
- [Shell Size](#) = 1
- [Footprint \(mm \[in\]\)](#) = 8.08 [.318]
- [Grounding Indents](#) = With
- [Grounding Straps](#) = With
- [PCB Mount Style](#) = Through Hole
- [Color Code](#) = None
- [Sealed](#) = No
- [Profile](#) = Standard
- [Post Size \(mm \[in\]\)](#) = 0.66 [.026]
- [Mounting Hole Diameter \(mm \[in\]\)](#) = 3.18 [.125]
- [Shell Material](#) = Steel
- [Threaded Insert Material](#) = Zinc
- [Eyelet Material](#) = Brass

Mechanical Attachment:

- [Panel Mount Retention](#) = Without

Termination Features:

- [Grounding Clips](#) = Without
- [Termination Post Length \(mm \[in\]\)](#) = 3.18 [0.125]
- [Solder Tail Contact Plating](#) = Tin over Nickel

Dimensions:

- [PCB Thickness, Recommended \(in \[mm\]\)](#) = 0.093 [2.36]

Body Features:

- [Shell Plating](#) = Tin
- [Threaded Insert Plating](#) = Clear Chromate
- [Eyelet Plating](#) = Tin over Copper Flash

Contact Features:

- [Contact Plating, Mating Area, Material](#) = Gold Flash
- [Contact Shape](#) = Round
- [Contact Base Material](#) = Brass

Housing Features:

- [Connector Style](#) = Plug
- [UL Flammability Rating](#) = UL 94V-0
- [Housing Material](#) = Thermoplastic - GF

Configuration Features:

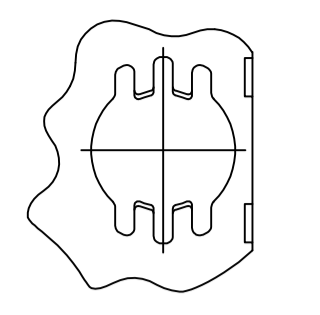
- [Number of Positions](#) = 9

Industry Standards:

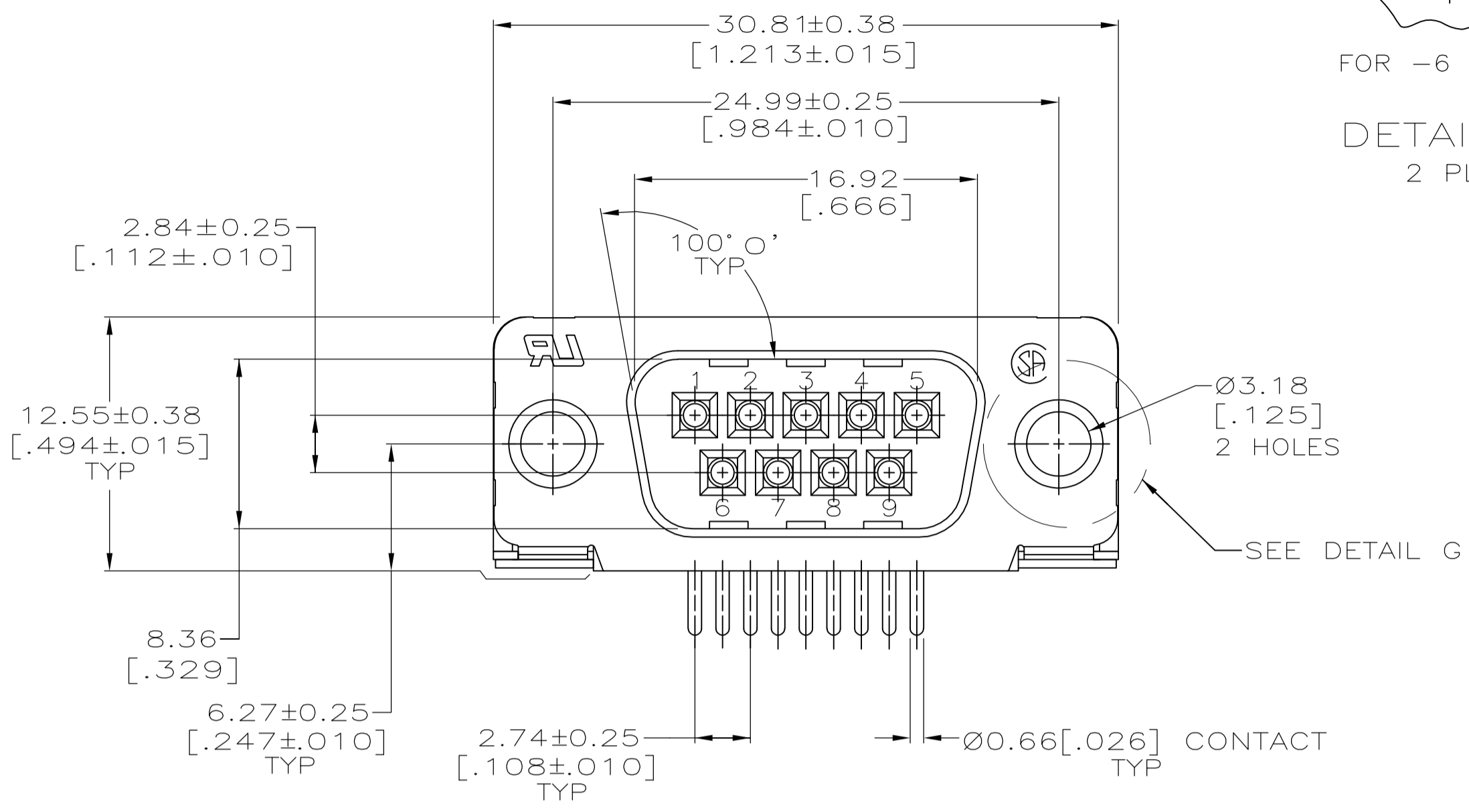
- [RoHS/ELV Compliance](#) = RoHS compliant, ELV compliant
- [Lead Free Solder Processes](#) = Wave solder capable to 240°C, Wave solder capable to 260°C, Wave solder capable to 265°C
- [RoHS/ELV Compliance History](#) = Always was RoHS compliant

Other:

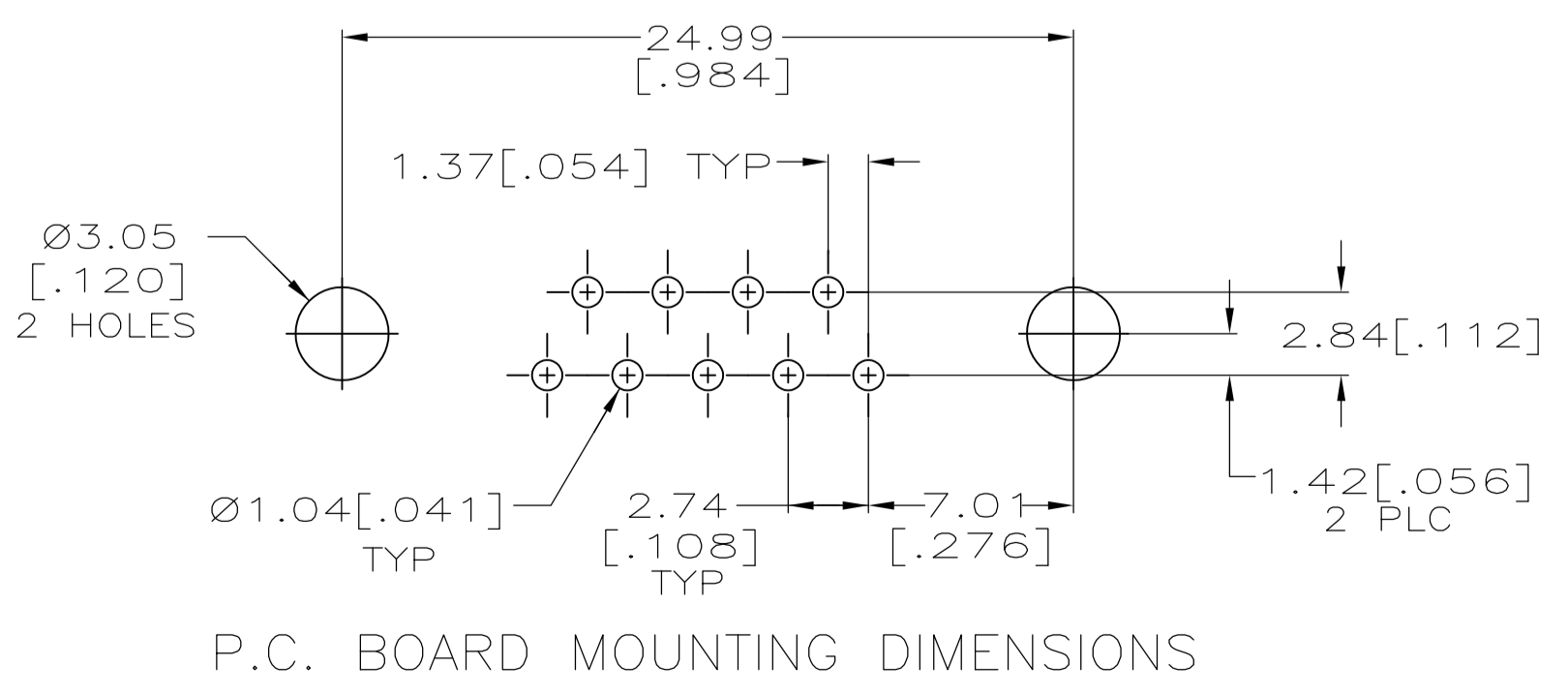
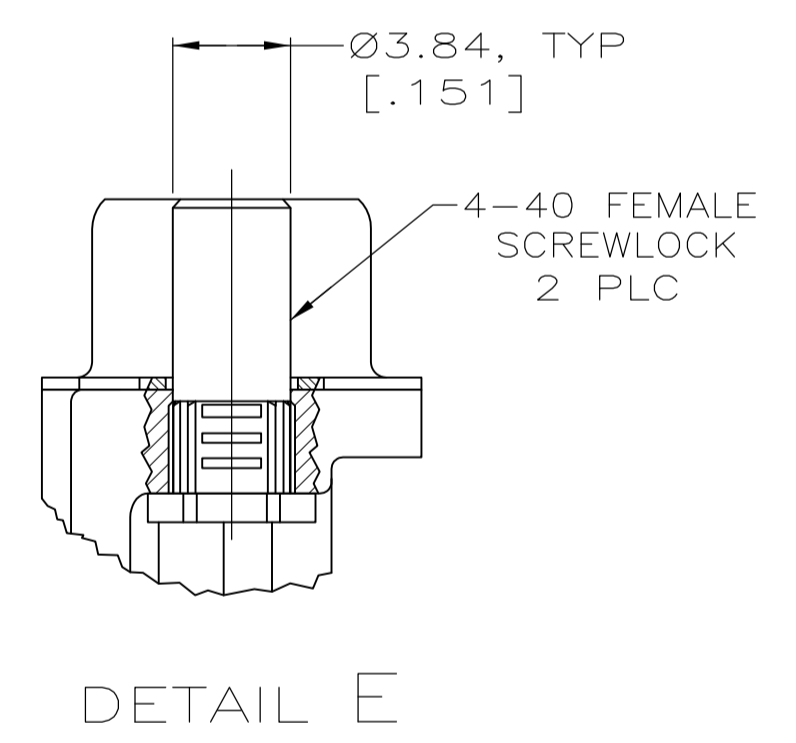
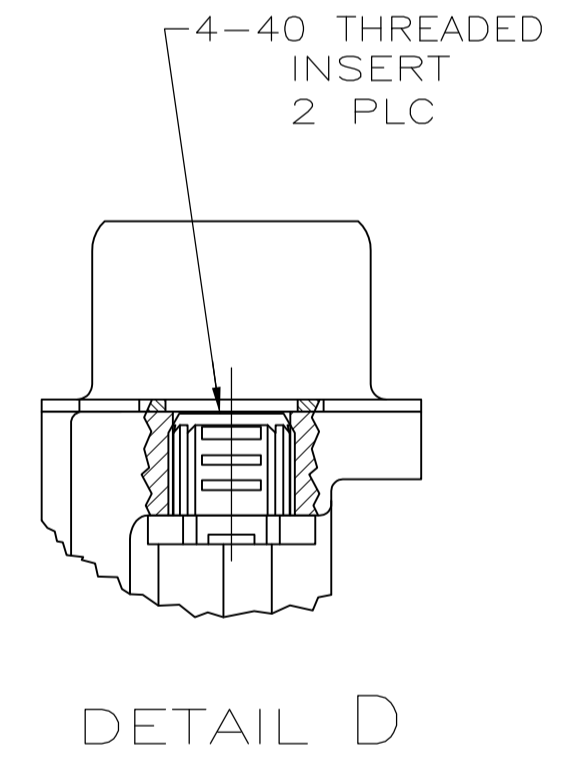
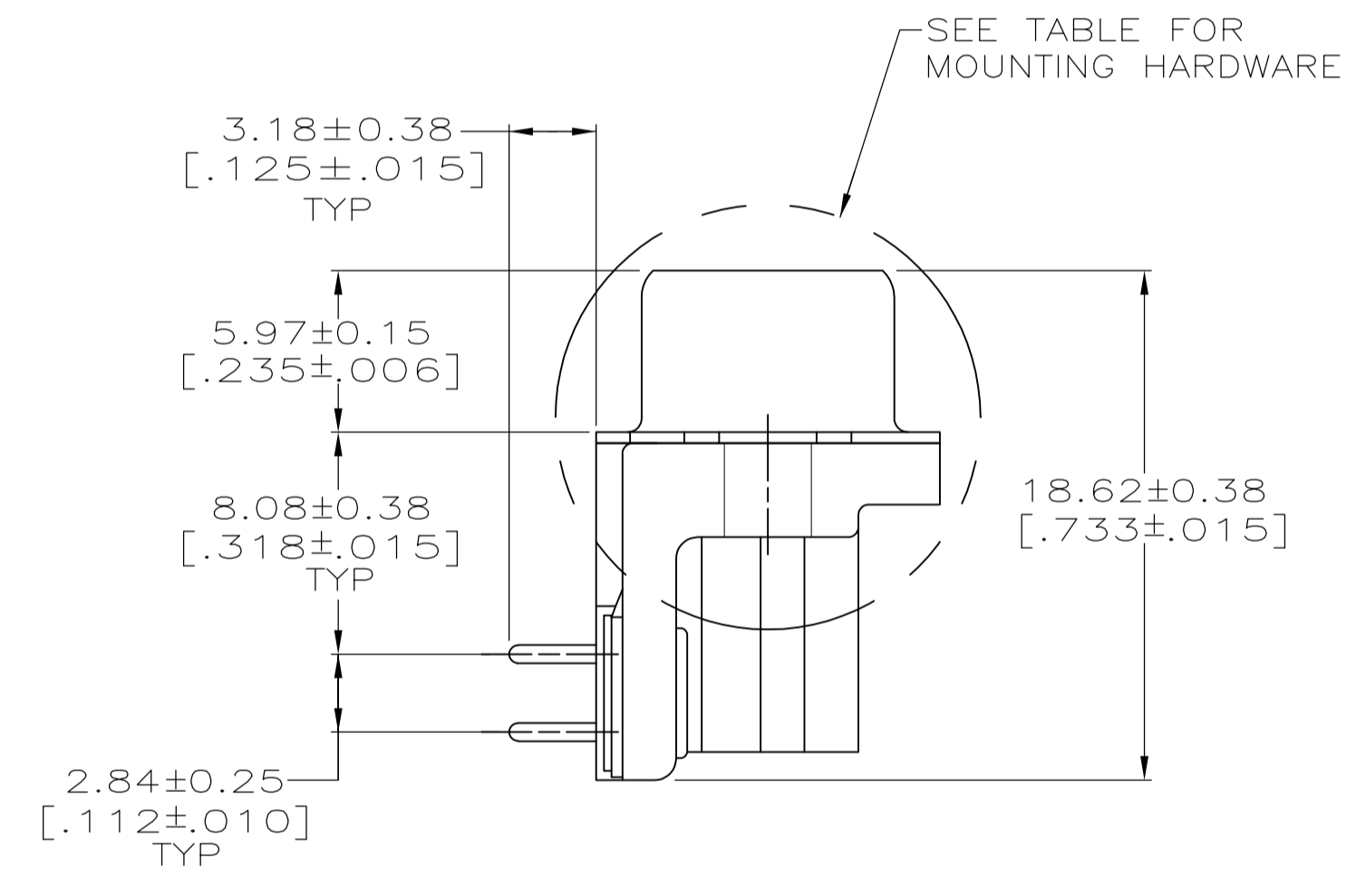
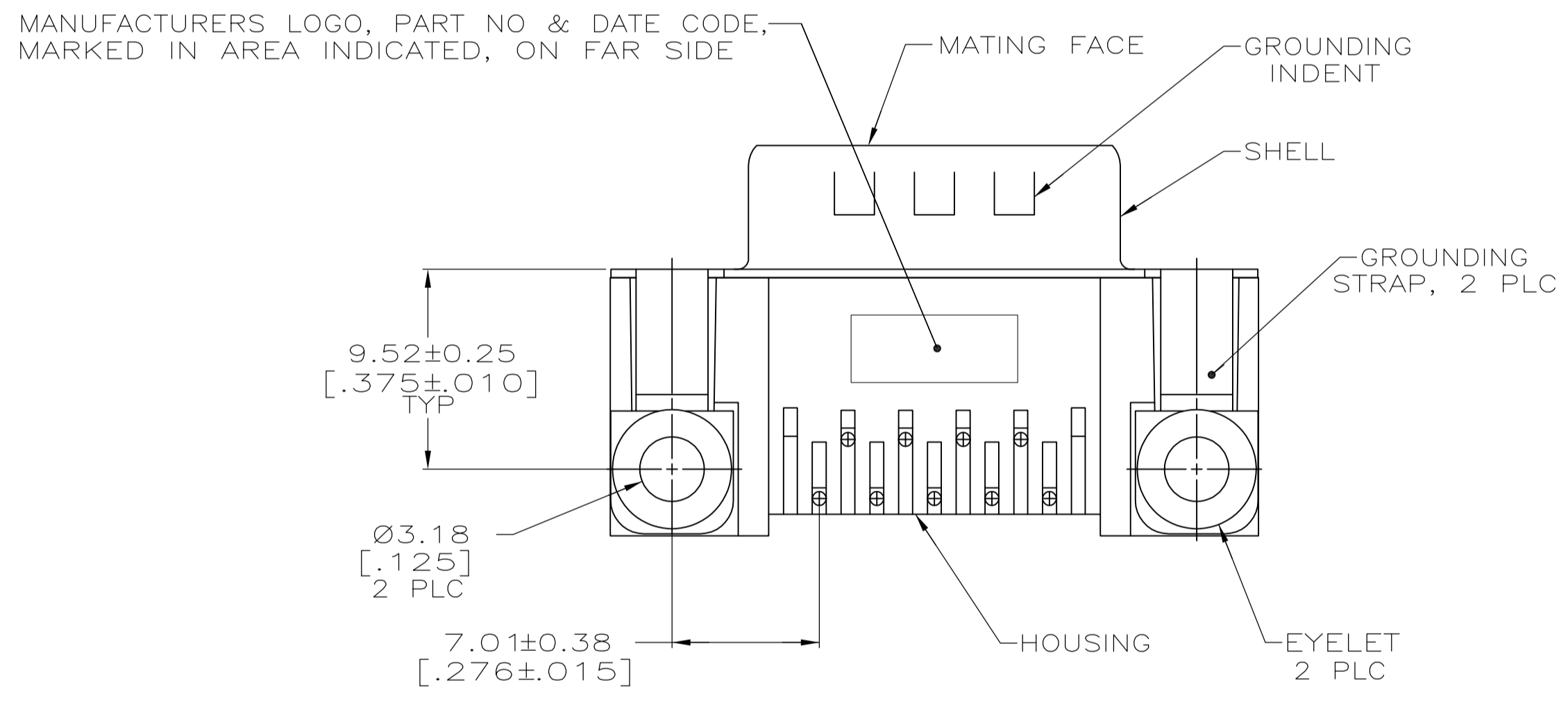
- [Brand](#) = AMP
- [Comment](#) = Plugs are preloaded with size 20 DF posted pin contacts



FOR -6 ONLY
DETAIL G
2 PLC



- △ HOUSING: NYLON OR POLYESTER, FLAME RETARDANT, UL 94V-0 RATED, GLASS FILLED, BLACK.
- CONTACTS: BRASS.
- SHELL: CARBON STEEL.
- EYELETS: BRASS.
- SCREWLOCKS AND INSERTS: ZINC.
- △ CONTACTS: SEE TABLE.
- SHELL: 2.54µm [.000100] MIN TIN OVER 1.27µm [.000050] MIN COPPER.
- EYELETS: 5.08µm [.000200] MIN TIN OVER COPPER FLASH.
- SCREWLOCKS AND INSERTS: CLEAR CHROMATE.
- △ GOLD FLASH ON THE MATING SURFACES, 2.54µm (.000100) MIN TIN PLATE ON THE SOLDER END, 1.27µm (.000050) MIN NICKEL UNDERPLATE ON THE ENTIRE CONTACT.
- △ 0.76µm (.000030) MIN GOLD PLATE ON THE MATING SURFACES, 2.54µm (.000100) MIN TIN PLATE ON THE SOLDER END, 1.27µm (.000050) MIN NICKEL UNDERPLATE ON THE ENTIRE CONTACT -OR- GOLD FLASH OVER PALLADIUM-NICKEL PLATE, 0.76µm (.000030) MIN TOTAL ON THE MATING SURFACES, 2.54µm (.000100) MIN TIN PLATE ON THE SOLDER END, 1.27µm (.000050) MIN NICKEL UNDERPLATE ON THE ENTIRE CONTACT.



SEE DETAIL E	△	5747250-6
SEE DETAIL D	△	5747250-4
-	△	5747250-3
-	△	5747250-2
MOUNTING HARDWARE	CONTACT FINISH	PART NUMBER

**COPYRIGHT 2005
TYCO ELECTRONICS CORP
ALL RIGHTS RESERVED**

THIS DRAWING IS A CONTROLLED DOCUMENT. DIMENSIONING AND TOLERANCING PER ASME Y14.5M-2009.

DIMENSIONS: mm [INCHES]	TOLERANCES UNLESS OTHERWISE SPECIFIED:	DIN A FERNANDEZ-DOCKS 04-12-05	APVD S. BOLASH 04-12-05	NAME M. WALMSLEY 04-12-05	PRODUCT SPEC 108-40025	APPLICATION SPEC 114-40010	SIZE A1	SCALE 1:1	SHEET 1 OF 1	REV C
0 PLC ± -	1 PLC ± -	2 PLC ± 0.13[.005]	3 PLC ± -	4 PLC ± -	ANGLES ± -	WEIGHT -	00779	5747250		
MATERIAL △	FINISH △	CUSTOMER DRAWING								

STE TE Connectivity
PLUG ASSEMBLY, SIZE 1, 9 POSITION, RIGHT ANGLE, FRONT METAL SHELL, .318 SERIES, AMPLIMITE HD-20