



## Searches

[Part Information](#) | [Specifications](#) | [Line Drawings](#) | [Assembly Instructions](#)



### Part Information:



**Part Number:** C091 31H006 100 2

**Description:** Male cable connector, max. cable outlet 6mm, solder termination, silver, 6 DIN

**Family:** C091D

#### Quick Search

Search

Global Part Search **NEW!**

Global Search

#### Company Information

About Tuchel

Amphenol Corporate

Our Commitment

Terms & Conditions

Environmental Information

#### Online Catalogs

Automotive Interconnect

Industrial Connectors ▶

Search by Family

Search by Part ●

Process Info Request

Download Catalog

Smart Card Connectors

#### Contact Information

Find a Sales Location

Distributors

Technical Support

Contact Us

Amphenol Corporation



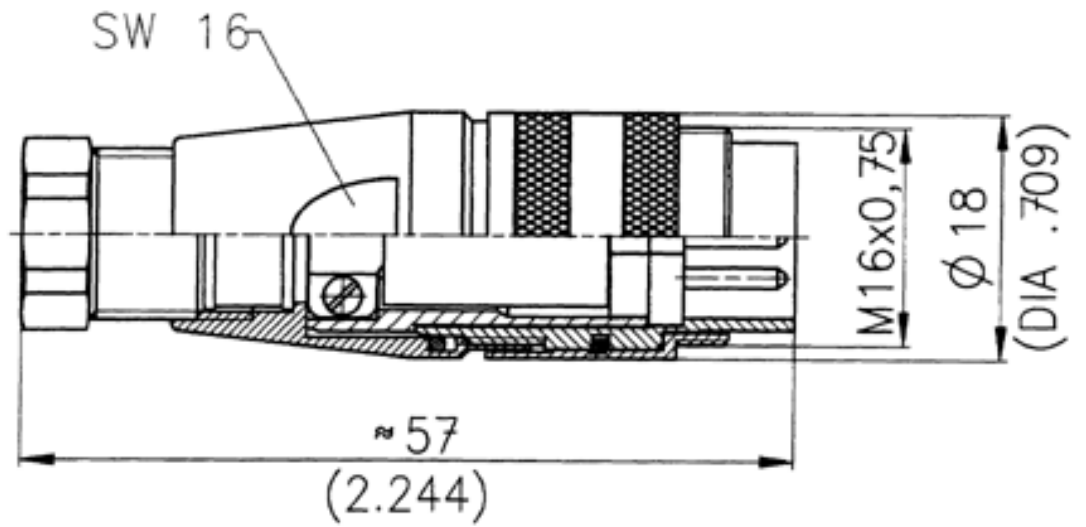
## Specifications

General	Standard	Characteristics
Number of contacts		6
View on termination side of contact insert		
Contact arrangement according to DIN		41 322
Contact arrangement according to IEC		130-9
<b>Electrical</b>		
Rated voltage	IEC 60664-1	300 V
Rated impulse withstand voltage	IEC 60664-1	1500 V
Pollution degree	IEC 60664-1	1
Installation category	IEC 60664-1	I
Insulation group	IEC 60664-1	3
Test voltage	IEC 60664-1	980 V
Current rating	IEC 60512-3 Test 5 b	5 A / +40°C/ _104°F

Insulation resistance	IEC 60512-2 Test 3 a	$>10^{12} \Omega$
Contact resistance	IEC 60512-2 Test 2 a	$<5 \text{ m} \Omega$
<b>Climatical</b>		
Climatic category	IEC 60068-1	40 / 85 / 56
Temperature range	IEC 60068-1	-40°C ... +85°C/-40°F ... +185°F
<b>Mechanical</b>		
IP-degree	IEC 60529	IP 67
Insertion and withdrawal forces	IEC 60512-7 Test 13 b	50 N 180.oz
Mechanical operation	IEC 60512-5 Test 9 a	Silver $\geq$ 500 mating cycles Gold $\geq$ 1000 mating cycles
<b>Materials</b>		
Housing		die cast, nickel plated
Dielectric		thermoplastic
Contact plating		silver plated, gold plated
<b>Other Characteristics</b>		
Termination technique		solder, crimp
Wire gauge		solder $\leq$ 0.5mm <sup>2</sup> (20-26 AWG) crimp 0.14-1.0mm <sup>2</sup> (26-18 AWG)

Flammability		UL 94 VO
Locking system	IEC 103-9	metal screw coupling

**TOP** Line Drawings



**TOP** Assembly Instructions

