

## Housing or Han-Snap®

Part number	Pieces	Description	2D files	3D files
19 30 024 0272	<input type="text" value="1"/>	Han B Base Surface HC 2 Levers 2 x M32	<a href="#">↓ DXF</a> <a href="#">↓ PDF</a>	<a href="#">↓ IGES</a> <a href="#">↓ STEP</a> <a href="#">↓ VRML</a>

### Product details

<b>Size of hood/housing</b>	Han® 24 B
<b>Hoods/housings variants</b>	Standard hoods/housings
<b>Used housing</b>	Surface mounting, 2 side-entries
<b>Housing or Han-Snap® type</b>	Housing (bulkhead/surface)
<b>Locking</b>	Two levers on the housing
<b>Cable type</b>	Cable entry f. round cable
<b>Type of construction</b>	High construction
<b>Cable entry protection</b>	M 32
<b>Cover</b>	No cover
<b>Housing material</b>	Metal
<b>Fixing device</b>	No fixing device

1 2 3 4 5 6

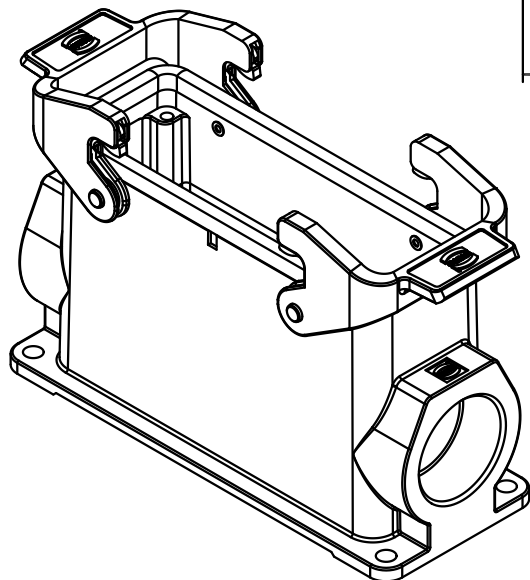
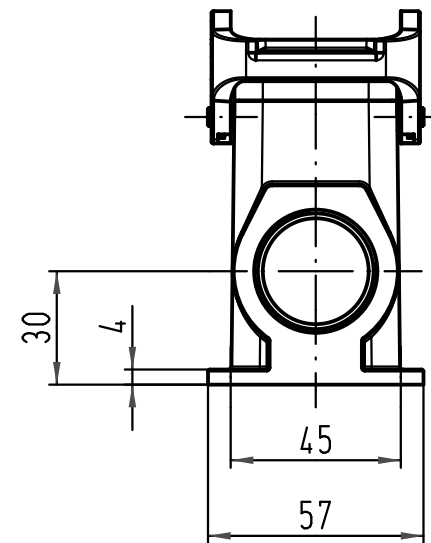
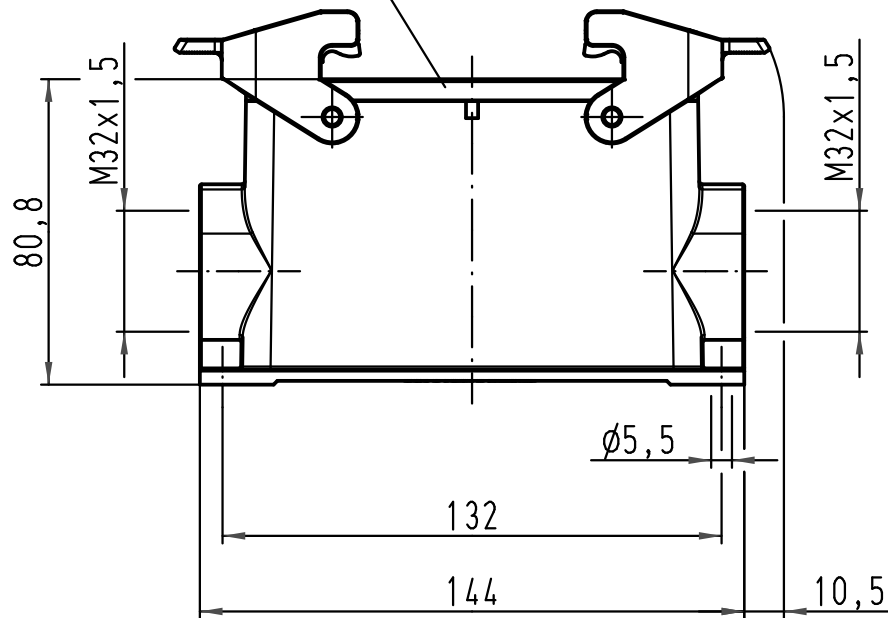
A

B

C

D

Dichtung  
seal



All Dimensions in mm Original Size DIN A 4		Techn. Character.			Nicht tolerierte Maß/Free size tolerances	
			Dat.	Name	Maßstab/Scale <b>1:2</b>	<b>Han 24B-asg2-QB-M32</b> Sockelgehäuse housing surface mounting
			Detail.	04.03.11 Spr		
			Insp.	Be		
			Stand.			
A			HARTING Electric GmbH & Co. KG			<b>TB 19 30 024 0272</b>
Mod.	Dat.	Name	D-32339 Espelkamp			
Sub. TB 19 30 024 0272 v. 21.11.00						Blatt/page