

53548-1 Product Details

[Share](#) [Print](#) [Email](#)



53548-1

TE Internal Number: 53548-1

 Active

 [View 3D PDF](#)

Radiation Resistant/Pre-Insulated Terminals & Splices

Not EU RoHS or ELV Compliant (Find RoHS Compliant Alternates)

Product Highlights:

- Splice
- 1 & 2 Class
- Wire Range = 0.30-1.40² [22-16] mm [AWG]
- Wire/Cable Size = 509 - 3,260 CMA
- Body Style = PIDG

[View all Features](#)

Quick Links

- [Pricing & Availability](#)
- [Search for Tooling](#)
- [Product Feature Selector](#)
- [Contact Us About This Product](#)

[Add to My Part List](#)

[Request Sample](#)

[Find Similar Products](#)

[Buy Product](#)

Documentation & Additional Information

Product Drawings:

- [SPLICE, BUTT,PVF , P.I.D.G., WIRE SIZE: 22-16 AWG \(PDF, English\)](#)

Catalog Pages/Data Sheets:

- [RADIATION_RESISTANT_PRE-INSULATED_TERMINALS_SPLICES \(PDF, English\)](#)

Product Specifications:

- None Available

Application Specifications:

- None Available

Instruction Sheets:

- None Available

CAD Files: [\(CAD Format & Compression Information\)](#)

- [2D Drawing \(DXF, Version K\)](#)
- [3D Model \(IGES, Version K\)](#)
- [3D Model \(STEP, Version K\)](#)

[List all Documents](#)

Additional Information:

- [Product Line Information](#)

Related Products:

- [Tooling](#)

Product Features (Please use the Product Drawing for all design activity)

Product Type Features:

- [Product Type](#) = Splice
- [Wire Insulation Diameter \(mm \[in\]\)](#) = 2.03 - 3.18 [0.080 - 0.125]
- [Finish](#) = Tin-Lead
- [Splice Type](#) = Butt
- [Color Code](#) = Red Stripe
- [Insulation](#) = Yes

Termination Features:

- [Wire/Cable Size \(CMA\)](#) = 509 - 3,260

Dimensions:

- [Barrel I.D. Min. \(mm \[in\]\)](#) = 1.55 [0.061]

Body Features:

- [Wire Range \(mm \[AWG\]\)](#) = 0.30-1.40² [22-16]
- [Body Style](#) = PIDG
- [Body Material](#) = Copper
- [Insulation Sleeve Color](#) = Natural
- [Insulation Sleeve Material](#) = PVF2
- [Insulation Support Sleeve Material](#) = Copper

Contact Features:

- [Class](#) = 1 & 2

Industry Standards:

- [Government/Industry Qualification](#) = Yes
- [Government/Industry Part Number](#) = M7928/6-3
- [RoHS/ELV Compliance](#) = Not ELV/RoHS compliant
- [Lead Free Solder Processes](#) = Not relevant for lead free process

Packaging Features:

- [Packaging Method](#) = Loose Piece/Bulk

Other:

- [Brand](#) = AMP

Corporate Information

[About TE](#)
[Investors](#)
[News Room](#)
[Supplier Portal](#)

Quick Links

[Distributor Inventory](#)
[Product Cross Reference](#)
[Documents & Drawings](#)
[Product Compliance Support Center](#)

Customer Support

[Email or Chat With Us](#)
[Find a Phone Number](#)
[Knowledge Base](#)
[Manage Your Account](#)

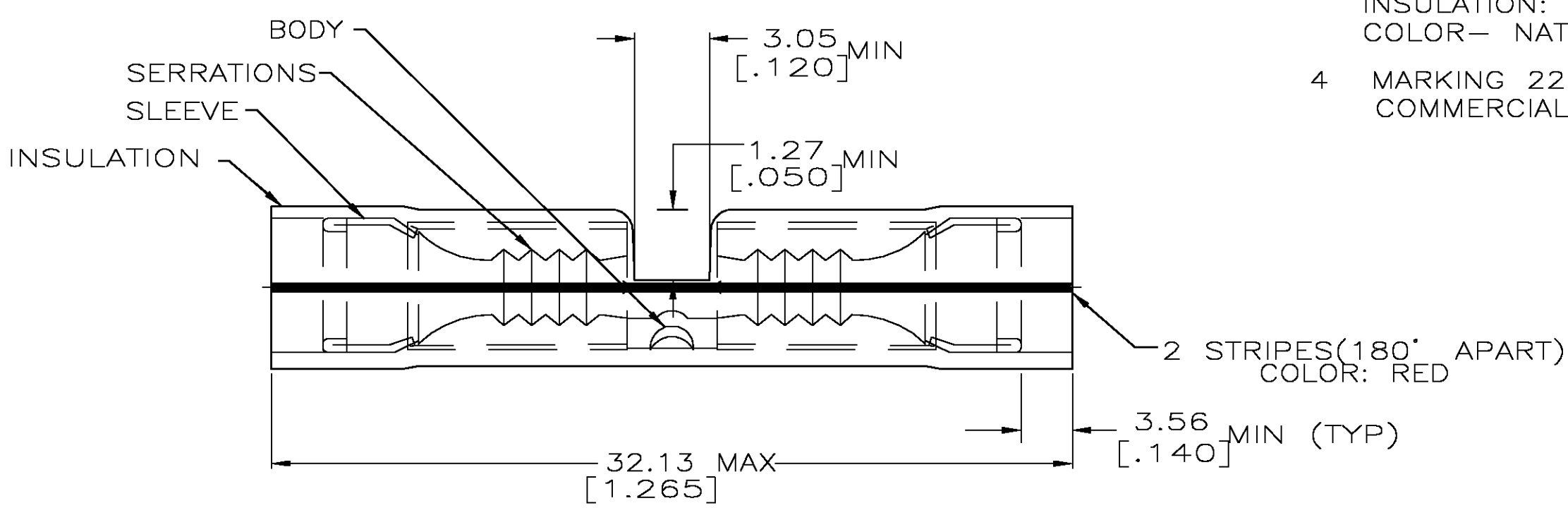
THIS DRAWING IS UNPUBLISHED. RELEASED FOR PUBLICATION
 © COPYRIGHT BY TYCO ELECTRONICS CORPORATION. ALL RIGHTS RESERVED.

LOC	DIST	REVISIONS			
P	LTR	DESCRIPTION	DATE	DWN	APVD
G	14				
		K	REV PER 0G3A-0582-04	31AUG04	JR TM

AMP
WIRE RANGE

22-16 AWG
STRANDED

- 1 WIRE INSULATION DIA 2.03 [.080] TO 3.18 [.125].
- △2 FINISH: BODY AND SLEEVE: TIN/LEAD (93-7) PLATE PER ASTM B545. (3% MIN LEAD CONTENT)
- △3 MATERIAL: BODY AND SLEEVE, COPPER PER ASTM B152
INSULATION: PVF²
COLOR- NATURAL
- 4 MARKING 22-18 FOR MILITARY; COMMERCIAL RANGE 22-16



MILITARY PART NUMBER & CLASS PER MIL-T-7928	QTY	PACKAGE TYPE	PART NO.
-	25	LOOSE PIECE, BOX	8-53548-3
M7928/6-3 CLASS 2	2500	ON TAPE	53548-2
M7928/6-3 CLASS 1 & 2	1000	LOOSE PIECE	53548-1

AMP INCORPORATED
CUSTOMER SERVICE SYSTEMS

FOR ADDITIONAL PRODUCT INFORMATION OR COPIES OF DRAWINGS AND TECHNICAL DOCUMENTS
 PRODUCT INFORMATION CENTER
1-800-522-6752

FOR APPLICATION TOOLING ASSISTANCE CENTER
 TOOLING INFORMATION
1-800-722-1111

FOR ORDER ENTRY
1-800-526-5142

MAX RECOMMENDED OPERATING TEMPERATURE: 150°C

VOLTAGE RATING: -

CIRCULAR MIL AREA: 0.26-1.65mm² [509-3,260] STRANDED

THIS DRAWING IS A CONTROLLED DOCUMENT FOR AMP INCORPORATED. IT IS SUBJECT TO CHANGE AND THE CONTROLLING ENGINEERING ORGANIZATION SHOULD BE CONTACTED FOR THE LATEST REVISION.

THIS DRAWING IS A CONTROLLED DOCUMENT.

DIMENSIONS: MM [INCHES]

TOLERANCES UNLESS OTHERWISE SPECIFIED:

0 PLC	± -
1 PLC	± -
2 PLC	± 0.20 [.008]
3 PLC	± -
4 PLC	± -
ANGLES	± -
FINISH	△2

MATERIAL: - △3

DWN S.S. GOULDEN 9-28-93
 CHK R. HERSEY 9-28-93
 APVD M ELLIS 9-28-93

tyco Electronics Tyco Electronics Corporation
Harrisburg, Pa 17105-3608

NAME: SPLICE, BUTT, PVF², P.I.D.G., WIRE SIZE: 22-16 AWG

PRODUCT SPEC: 108-11023

APPLICATION SPEC: -

SIZE: A3 CAGE CODE: 00779 DRAWING NO: C-53548 RESTRICTED TO: -

WEIGHT: -

CUSTOMER DRAWING SCALE: 1:1 SHEET: 1 OF 1 REV: K