

Shock-Safe Fuseholder, 5 x 20 mm, Slotted Cap/Fingerrip, IP 40 / IP 67, IEC 60335-1



Fingerrip

250 VAC · 2.5 W/10 A (VDE) · 400 VAC · 16 A (UL/CSA)



### Description

- Compact design
- Heading with fingerrip and slotted available
- Degree of protection IP 67 available

### Standards

- IEC 60127-6
- UL 4248-1
- CSA 22.2 no. 4248-1

### Approvals

- Approval Reference Type: FPG1
- VDE Certificate Number: 127216
- UL File Number: E39328


### Applications

- Industrial electronic
- Household appliances
- Medical equipment

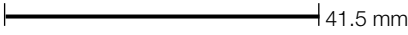
### Weblinks

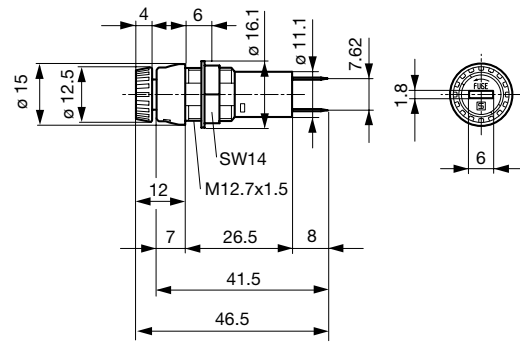
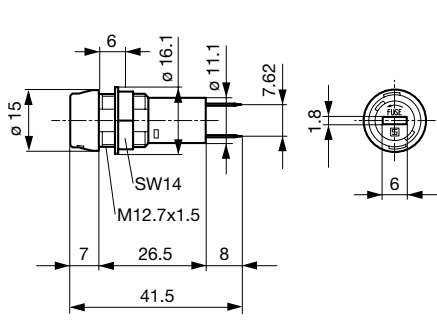
[pdf-datasheet](#), [html-datasheet](#), [General Product Information](#), [Approvals](#), [CE declaration of conformity](#), [RoHS](#), [CHINA-RoHS](#), [REACH](#), [e-Shop](#), [SCHURTER-Stock-Check](#), [Distributor-Stock-Check](#), [Detailed request for product](#)

### Technical Data

|                              |   |
|------------------------------|---|
| Shock-Safe Category          | PC2   |
| Fuse-Link                    | 5 x 20 mm   |
| Mounting                     | Panel Mount, Front Side   |
| Mounting                     | Fixing Nut  |
| Terminal                     | Solder or Quick-Connect 4.8 x 0.5 mm  |
| Rated Voltage                | 250 VAC (VDE), 400 VAC (UL/CSA)   |
| Rated current                | 10 A (VDE), 16 A (UL/CSA)   |
| Rated Power Acceptance IEC   | 2.5 W / 10 A @ Ta 23 °C<br>Admissible power acceptance at higher ambient temperature see derating curves  |
| Degree of Protection         | IP 40 / IP 67   |
| Protection Class             | Suitable for appliances with protection class I acc. to IEC 61140   |
| Admissible Ambient Air Temp. | -40 °C to 85 °C   |
| Climatic Category            | 40/085/21 acc. to IEC 60068-1   |
| Material: Socket             | Thermoplastic, black, UL 94V-0  |
| Material: Terminals          | Tin-Plated Copper Alloy   |
| Unit Weight                  | 5.7 g   |
| Storage Conditions           | 0 °C to 60 °C, max. 70% r.h.  |
| Product Marking              |  , Type, Rated voltage, Rated current, Power Rating, Approvals |

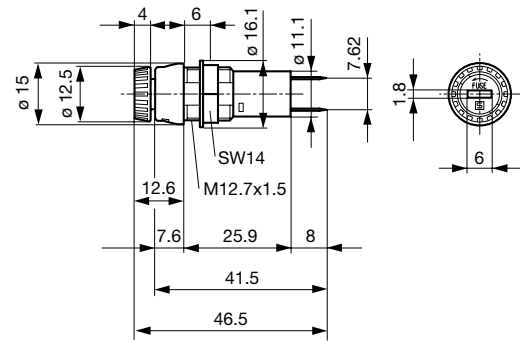
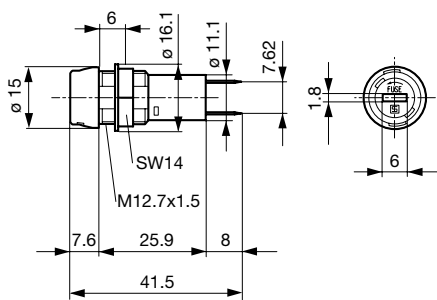
|                                 |   |
|---------------------------------|---|
| Soldering Methods               | Iron  |
| Solderability                   | 350 °C / 3 sec acc. to IEC 60068-2-20, Test Ta, method 2  |
| Resistance to Soldering Heat    | 350 °C / 10 sec acc. to IEC 60068-2-20, Test Tb, method 2 |
| Contact Resistance              | ≤ 10 mΩ at 20 mV acc. to IEC 60127-6                      |
| Dielectric Strength             | > 3 kV between Life parts (50 Hz; 1 min)                  |
| Impulse Withstand Voltage       | > 4 kV between Life parts                                 |
| Insulation Resistance           | ≥ 10 MΩ between Life parts (500 VDC; 1 min)               |
| Overvoltage Category            | III acc. to IEC 60664-1                                   |
| Pollution Degree                | 3 acc. to IEC 60664-1                                     |
| Resistance to Vibration         | acc. to IEC 60068-2-6, test Fc                            |
| Admissible Torque on Fixing Nut | max 1.2 Nm  |
| Panel Thickness s               | max 6 mm  |

Dimension 



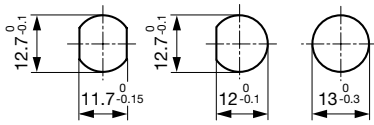
Variants 3101.0010 and 3101.0210

Variants Fingerrip 3101.0015 and 3101.0215



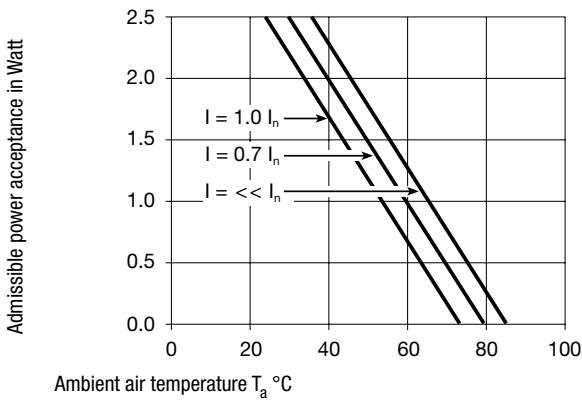
Variants 3101.0110 and 3101.0310

Variants Fingerrip 3101.0115 and 3101.0315



Mounting Holes

Derating Curves



All Variants

| Holder | Cap        | Terminal                   | Degree of Protection | Material              | Remark | Order Number |
|--------|------------|----------------------------|----------------------|-----------------------|--------|--------------|
| ●      | slotted    | Solder                     | IP 40                | Thermoplastic         | -      | 3101.0010    |
| ●      | slotted    | Solder                     | IP 40                | Spec. Thermoplastic 1 | -      | 3101.0010.15 |
| ●      | slotted    | Quick-Connect 4.8 x 0.5 mm | IP 40                | Thermoplastic         | -      | 3101.0210    |
| ●      | slotted    | Quick-Connect 4.8 x 0.5 mm | IP 40                | Spec. Thermoplastic 1 | -      | 3101.0210.15 |
| ●      | Fingergrip | Solder                     | IP 40                | Thermoplastic         | -      | 3101.0015    |
| ●      | Fingergrip | Solder                     | IP 40                | Spec. Thermoplastic 1 | -      | 3101.0015.15 |
| ●      | Fingergrip | Quick-Connect 4.8 x 0.5 mm | IP 40                | Thermoplastic         | -      | 3101.0215    |
| ●      | Fingergrip | Quick-Connect 4.8 x 0.5 mm | IP 40                | Spec. Thermoplastic 1 | -      | 3101.0215.15 |
| ●      | slotted    | Solder                     | IP 67                | Thermoplastic         | -      | 3101.0110    |
| ●      | slotted    | Solder                     | IP 67                | Spec. Thermoplastic 1 | -      | 3101.0110.15 |
| ●      | slotted    | Quick-Connect 4.8 x 0.5 mm | IP 67                | Thermoplastic         | -      | 3101.0310    |
| ●      | slotted    | Quick-Connect 4.8 x 0.5 mm | IP 67                | Spec. Thermoplastic 1 | -      | 3101.0310.15 |
| ●      | Fingergrip | Solder                     | IP 67                | Thermoplastic         | -      | 3101.0115    |
| ●      | Fingergrip | Solder                     | IP 67                | Spec. Thermoplastic 1 | -      | 3101.0115.15 |
| ●      | Fingergrip | Quick-Connect 4.8 x 0.5 mm | IP 67                | Thermoplastic         | -      | 3101.0315    |
| ●      | Fingergrip | Quick-Connect 4.8 x 0.5 mm | IP 67                | Spec. Thermoplastic 1 | -      | 3101.0315.15 |

Most Popular.

Availability for all products can be searched real-time: <http://www.schurter.com/en/Stock-Check/Stock-Check-SCHURTER>

Spec. thermoplastic meets the new requirements of IEC 60335-1 for appliances in unattended use (clause 30.2.3). This standard includes the enhanced requirements of glow wire tests acc. to IEC 60695-2-12 and -13.

White and grey colours available on request

**Packaging Unit**      Bulk 186 x 91 x 91 mm (100 pcs.)