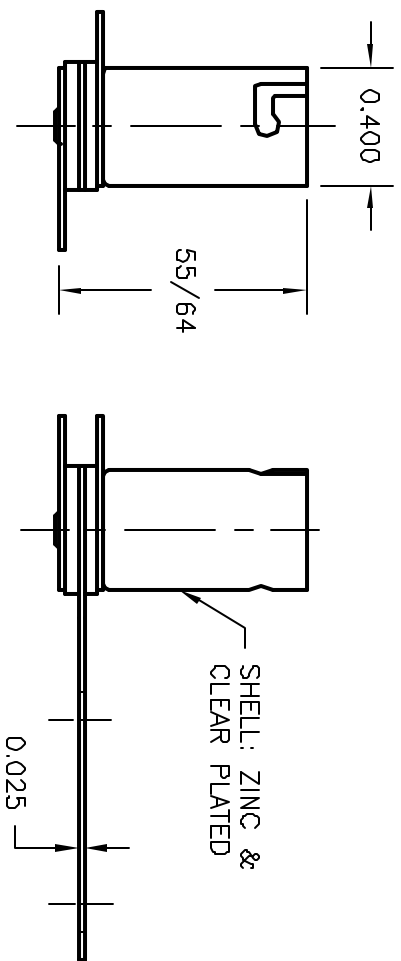
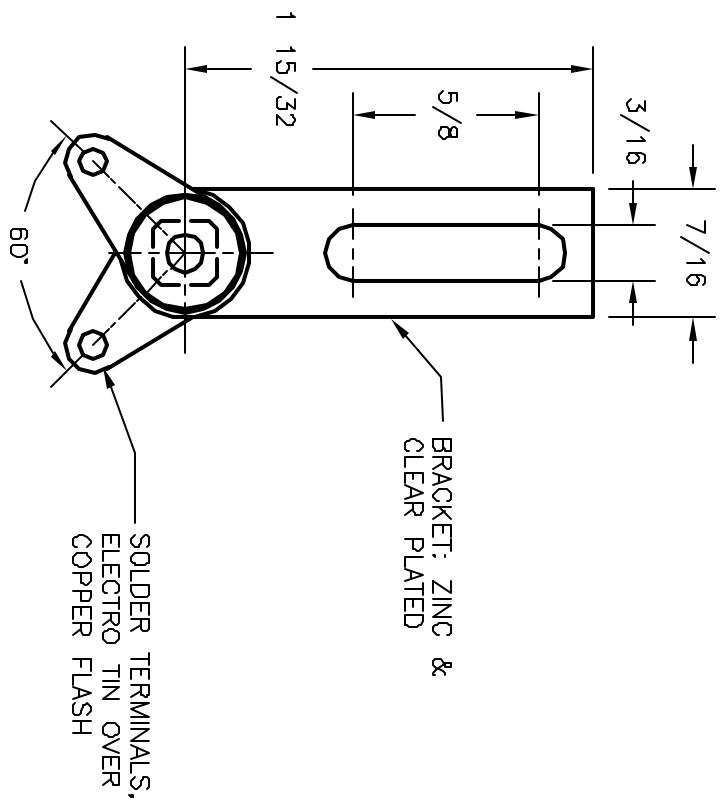


ALL RIGHTS RESERVED. NO PORTION OF THIS PUBLICATION, WHETHER IN WHOLE OR IN PART CAN BE REPRODUCED WITHOUT THE EXPRESS WRITTEN CONSENT OF SPC TECHNOLOGY.

REVISIONS		DCP NO. SPC-F004	DATE	DESCRIPTION	DATE	APPROV	DATE
DCP #	REV	DESCRIPTION	DRAWN	DATE	CHECKED	DATE	DATE
1848	A	RELEASED	JIM	09/29/08	JMM	09/29/08	JMM



SPC TECHNOLOGY

INSULATED MINIATURE BAYONET BASE LAMPHOLDER

<p>ALL RIGHTS AND TECHNICAL INFORMATION CONTAINED HEREIN ARE RESERVED UNDER THE PROVISIONS OF THE PATENT AND TRADEMARK OFFICE. ANY REPRODUCTION OR TRANSMISSION OF THIS DOCUMENT WITHOUT THE EXPRESS WRITTEN CONSENT OF SPC TECHNOLOGY IS PROHIBITED. ALL DIMENSIONS ARE UNLESS OTHERWISE SPECIFIED IN CONNECTION THEREWITH.</p>	<p>TOLERANCES UNLESS OTHERWISE SPECIFIED FRACTIONAL & 1/16 DECIMAL .000 & .005 ANGULAR ±1°</p>
<p>DRAWN BY: Jason Nash CHECKED BY: JMM APPROVED BY: JMM</p>	<p>DATE: 09/29/08 DATE: 09/29/08 DATE: 09/29/08</p>
<p>SCALE: NTS</p>	<p>SCALE: NTS</p>
<p>SHEET: 1 OF 1</p>	<p>SHEET: 1 OF 1</p>