



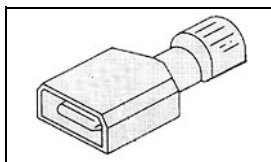
Have a Question?
 Chat with a Product
 Information Specialist

What can we help you find?

[Products](#) |
 [Industries](#) |
 [Resources](#) |
 [About TE](#) |
 [My Account](#) |
 [Innovation](#) |
 [Support Center](#)

3-520107-2 Product Details

[Share](#) |
 [Print](#) |
 [Email](#)



3-520107-2

TE Internal Number: 3-520107-2

Active

View 3D PDF

Ultra-Fast Receptacles & Tabs

Always EU RoHS/ELV Compliant (Statement of Compliance)

Product Highlights:

- Terminal Type = Tab
- Proprietary Name = Ultra-Fast
- Mating Area Interface Dimensions = 6.35 x 0.81 mm
- Brass Material
- Insulation Diameter = 4.06 [.160] Max. mm [in]

[View all Features](#)

Quick Links

- ▶ [Pricing & Availability](#)
- ▶ [Search for Tooling](#)
- ▶ [Product Feature Selector](#)
- ▶ [Contact Us About This Product](#)

[Add to My Part List](#) |
 [Request Sample](#) |
 [Find Similar Products](#) |
 [Buy Product](#)

Documentation & Additional Information	
<p>Product Drawings:</p> <ul style="list-style-type: none"> • TAB ASSEMBLY,ULTRA-FAST, LOOSE PIECE,,250 SERIES,16-... (PDF, English) <p>Catalog Pages/Data Sheets:</p> <ul style="list-style-type: none"> • Ultra-Fast and Ultra Fast Plus (PDF, English) <p>Product Specifications:</p> <ul style="list-style-type: none"> • Ultra-Fast Fully Insulated FASTON Tab Terminals (PDF, English) <p>Application Specifications:</p> <ul style="list-style-type: none"> • None Available <p>Instruction Sheets:</p> <ul style="list-style-type: none"> • None Available <p>CAD Files: (CAD Format & Compression Information)</p> <ul style="list-style-type: none"> • 2D Drawing (DXF, Version J) • 3D Model (IGES, Version J) • 3D Model (STEP, Version J) 	<p>Additional Information:</p> <ul style="list-style-type: none"> • Product Line Information <p>Related Products:</p> <ul style="list-style-type: none"> • Tooling

[List all Documents](#)

Product Features (Please use the Product Drawing for all design activity)	
<p>Product Type Features:</p> <ul style="list-style-type: none"> • Terminal Type = Tab • Insulation Support = Non-Insulation Support • Finish = Tin • Wire/Cable Type = Regular Wire • Mount Angle = Straight <p>Dimensions:</p> <ul style="list-style-type: none"> • Mating Area Interface Dimensions (mm [in]) = 6.35 x 0.81 [.250 x .032] • Insulation Diameter (mm [in]) = 4.06 [.160] Max. <p>Body Features:</p> <ul style="list-style-type: none"> • Material = Brass • Wire Range (mm [AWG]) = 1.25-2.00² [16-14] • Tab Type = Wire Crimp • Fully Insulated = Fully Insulated 	<p>Industry Standards:</p> <ul style="list-style-type: none"> • RoHS/ELV Compliance = RoHS compliant, ELV compliant • Lead Free Solder Processes = Not relevant for lead free process • RoHS/ELV Compliance History = Always was RoHS compliant <p>Packaging Features:</p> <ul style="list-style-type: none"> • Packaging Method = Loose Piece <p>Other:</p> <ul style="list-style-type: none"> • Proprietary Name = Ultra-Fast • Brand = AMP

Corporate Information

- [About TE](#)
- [Investors](#)
- [News Room](#)
- [Supplier Portal](#)
- [Careers](#)

Quick Links

- [Distributor Inventory](#)
- [Product Cross Reference](#)
- [Documents & Drawings](#)
- [Product Compliance Support Center](#)
- [Site Map](#)

Customer Support

- [Email or Chat With Us](#)
- [Find a Phone Number](#)
- [Knowledge Base](#)
- [Manage Your Account](#)

4

3

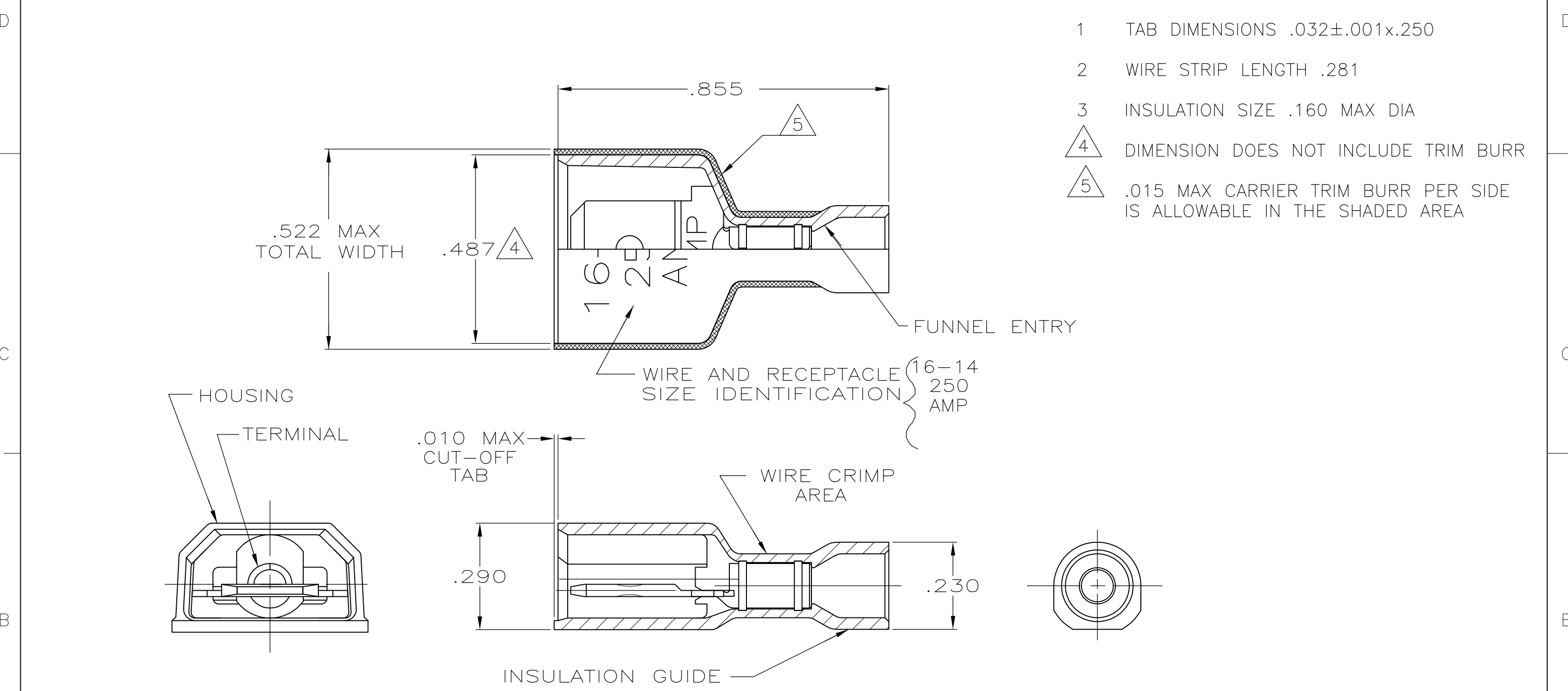
2

1

THIS DRAWING IS UNPUBLISHED. RELEASED FOR PUBLICATION
 © COPYRIGHT - By - ALL RIGHTS RESERVED.

LOC	DIST	REVISIONS			
P	LTR	DESCRIPTION	DATE	DWN	APVD
AF	50	L	REVISED PER ECR-13-004343	30JUL13	KH KR

- 1 TAB DIMENSIONS .032±.001x.250
- 2 WIRE STRIP LENGTH .281
- 3 INSULATION SIZE .160 MAX DIA
- △4 DIMENSION DOES NOT INCLUDE TRIM BURR
- △5 .015 MAX CARRIER TRIM BURR PER SIDE IS ALLOWABLE IN THE SHADED AREA



HOUSING: NYLON, COLOR-BLUE TRANSLUCENT	3-520107-2
RECEPTACLE: BRASS, TIN	
MATERIAL & FINISH	PART NO

THIS DRAWING IS A CONTROLLED DOCUMENT.		DWN P FORTNEY 11/15/88	STE TE Connectivity		
DIMENSIONS: INCHES		CHK MS FEHER 11/30/88			
TOLERANCES UNLESS OTHERWISE SPECIFIED:		APVD KA RANDOLPH 12/14/88	NAME		
0 PLC ± -		PRODUCT SPEC 108-2017	TAB ASSEMBLY, ULTRA-FAST, LOOSE PIECE, .250 SERIES, 16-14 AWG		
1 PLC ± -		APPLICATION SPEC 114-2123	SIZE	CAGE CODE	DRAWING NO
2 PLC ± -		WEIGHT -	A3	00779	C-520107
3 PLC ± .015		CUSTOMER DRAWING	SCALE	SHEET	REV
4 PLC ± -			4:1	1 OF 1	L
ANGLES ± -					
MATERIAL SEE TABLE	FINISH SEE TABLE				