



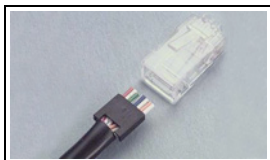
Have a Question?
 Chat with a Product Information Specialist

What can we help you find?

[Products](#) [Industries](#) [Resources](#) [About TE](#) [My Account](#) [Innovation](#) [Support Center](#)

5-569552-3 Product Details

[Share](#) [Print](#) [Email](#)



5-569552-3

TE Internal Number: 5-569552-3

Active

[View 3D PDF](#)

Modular Plugs and Accessories

Converted to EU RoHS/ELV Compliant
 (Statement of Compliance)

Product Highlights:

- Connector
- Performance Category = Cat 5e
- 8 Contacts Loaded
- Shielded
- Conductor Type = Stranded

[View all Features](#)

Quick Links

- ▶ [Pricing & Availability](#)
- ▶ [Search for Tooling](#)
- ▶ [Product Feature Selector](#)
- ▶ [Contact Us About This Product](#)

[Add to My Part List](#) [Request Sample](#) [Find Similar Products](#) [Buy Product](#)

Documentation & Additional Information

Product Drawings:

- [MODULAR PLUG ASSEMBLY, 8 POSITION,SHIELDED,ROUND CAB...](#) (PDF, English)

Catalog Pages/Data Sheets:

- None Available

Product Specifications:

- None Available

Application Specifications:

- [High Performance Modular Plug Connectors \(1\)](#) (PDF, English)
- [High Performance Modular Plug Connectors \(2\)](#) (PDF, English)

Instruction Sheets:

- None Available

CAD Files: (CAD Format & Compression Information)

- [2D Drawing](#) (DXF, Version K)
- [3D Model](#) (IGES, Version K)
- [3D Model](#) (STEP, Version K)

[List all Documents](#)

Additional Information:

- [Product Line Information](#)

Related Products:

- [Tooling](#)

Product Features (Please use the Product Drawing for all design activity)

Product Type Features:

- Product Type = Connector
- [Performance Category](#) = Cat 5e
- Cable Style = Round
- [Latch Style](#) = Standard
- [Keyed](#) = No
- [Small Conductor](#) = No
- Shield Material = Copper Alloy

Electrical Characteristics:

- [Shielded](#) = Yes

Dimensions:

- Cable Diameter Range (mm [in]) = 4.83 - 5.08 [0.190 - 0.199]
- Conductor Insulation Diameter (mm [in]) = 0.89 - 0.99 [0.035 - 0.039]
- Conductor Outer Diameter (mm [in]) = 0.89 - 0.99 [0.035 - 0.039]

Body Features:

- Conductor Type = Stranded
- Shield Plating = Satin Nickel

Contact Features:

- Contact Base Material = Phosphor Bronze
- Contact Plating, Mating Area, Material = Gold (50)

Housing Features:

- Connector Style = Plug - Modular
- Housing Material = Polycarbonate GF
- UL Flammability Rating = UL 94V-2

Configuration Features:

- [Number of Contacts Loaded](#) = 8
- [Number of Positions](#) = 8
- Conductor (Wire) Size = 24 - 26 AWG

Industry Standards:

- [RoHS/ELV Compliance](#) = RoHS compliant, ELV compliant
- [Lead Free Solder Processes](#) = Not relevant for lead free process
- RoHS/ELV Compliance History = Converted to comply with RoHS directive

Packaging Features:

- [Packaging Method](#) = Bag
- Qty./Bag = 100

Product Availability:

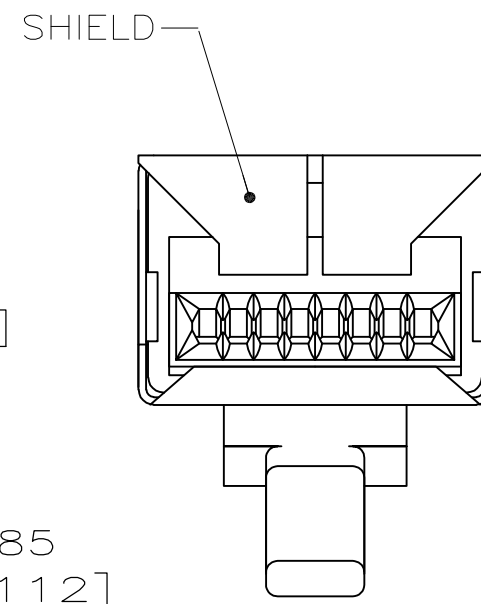
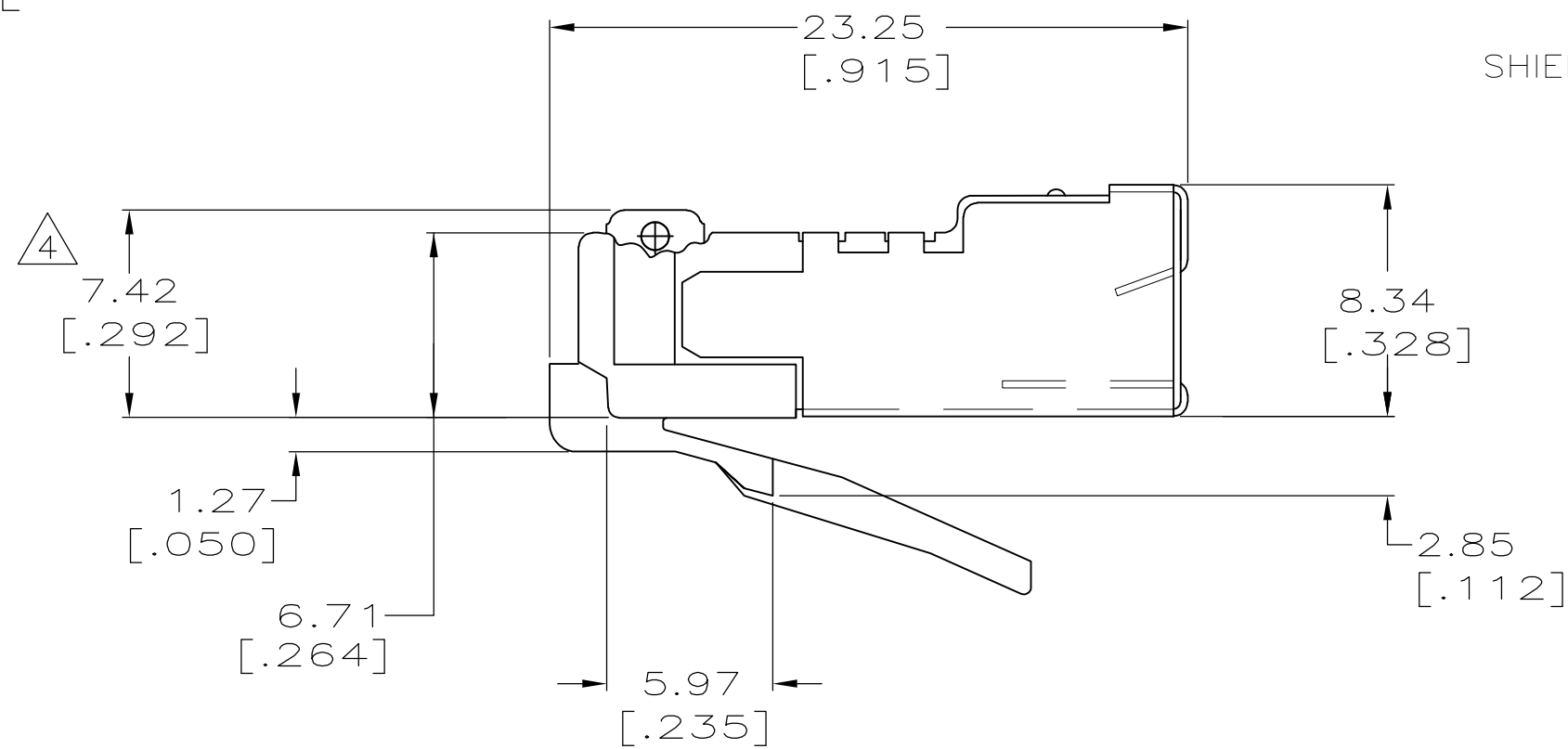
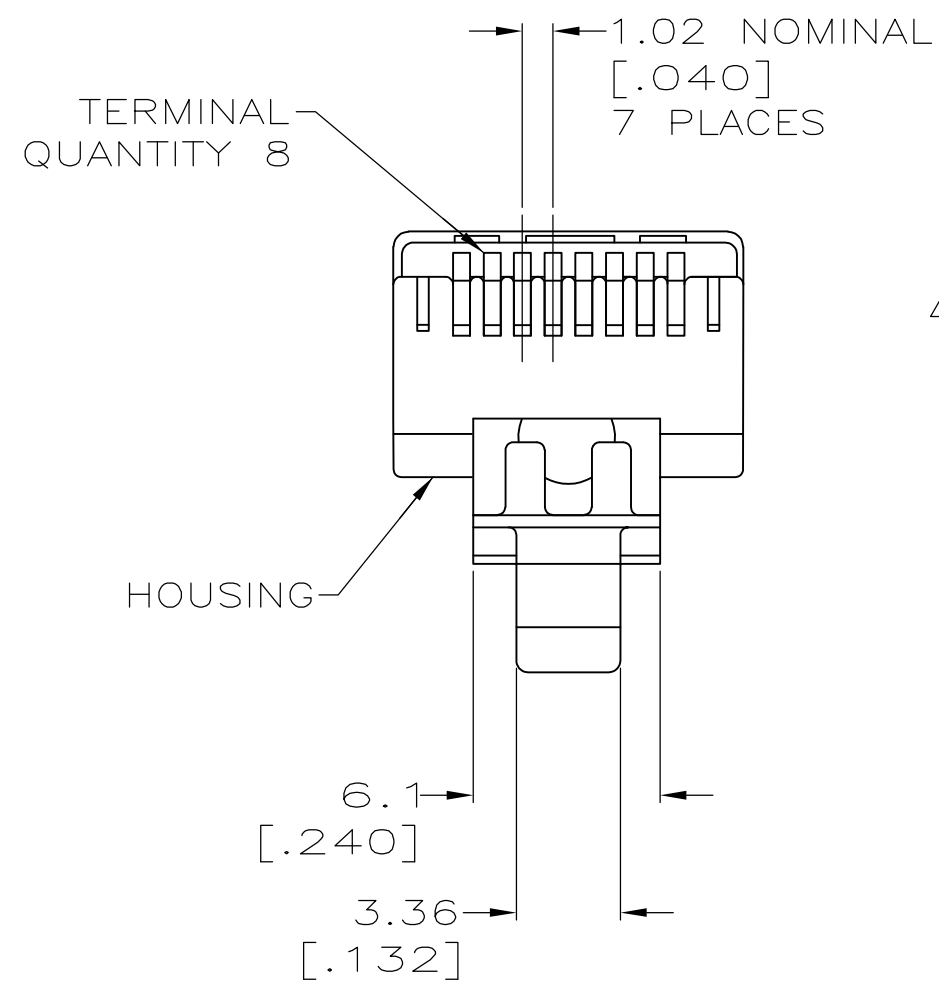
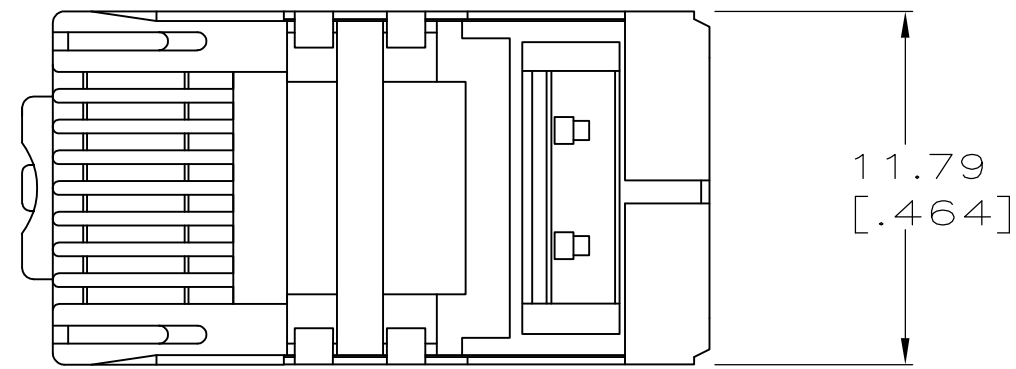
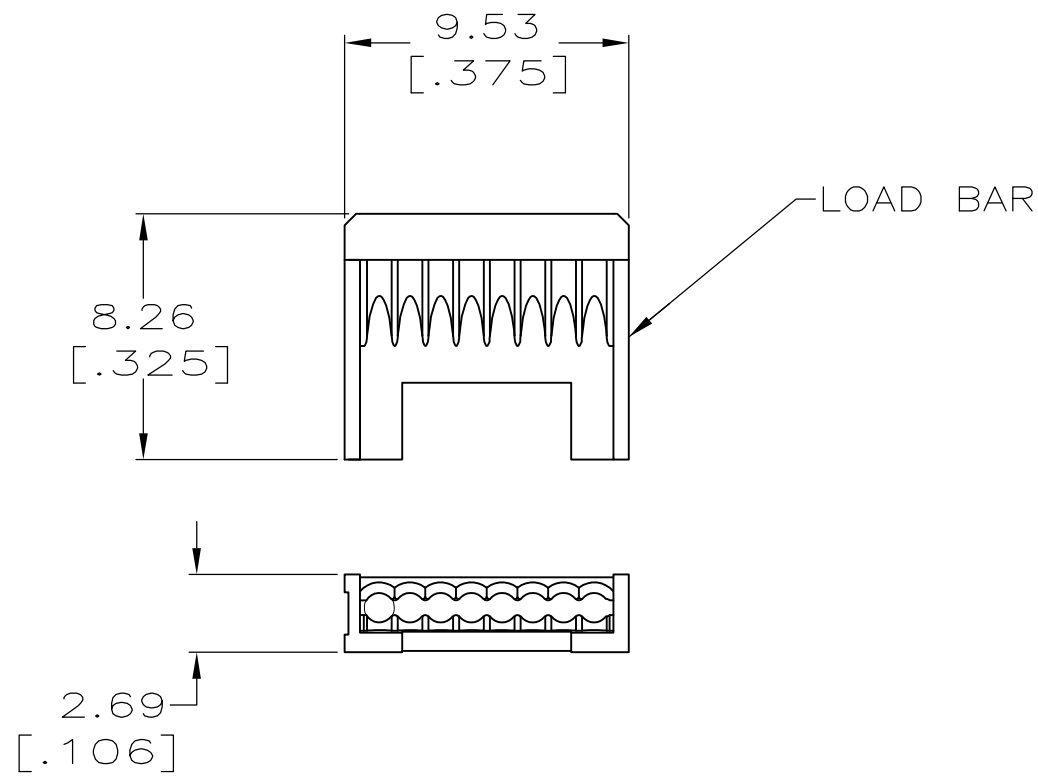
- Region = Asia, EMEA, North America, Latin America, Australia/New Zealand

Other:

- Brand = AMP

THIS DRAWING IS UNPUBLISHED. RELEASED FOR PUBLICATION
 © COPYRIGHT - By - ALL RIGHTS RESERVED.

LOC	DIST	REVISIONS					
HM	00	P	LTR	DESCRIPTION	DATE	DWN	APVD
		G		REV PER ECO-12-012918	09JUL2012	JM	JG



- 1 DIMENSIONS ARE MAXIMUM UNLESS OTHERWISE SPECIFIED.
- 2 MATERIAL:
 HOUSING - 94V-0 RATED POLYCARBONATE, CLEAR
 TERMINAL - PHOSPHOR BRONZE, PLATED WITH 1.27μm [.000050] MINIMUM THICK GOLD IN LOCALIZED GOLD PLATE AREA, OVER 2.54μm [.000100] MINIMUM THICK NICKEL UNDERPLATE.
 SHIELD - COPPER ALLOY WITH 1.27μm [.000050] MINIMUM SEMI-BRIGHT(SATIN) NICKEL.
 LOAD BAR - PBT POLYESTER, BLACK.
- 3. PLUG WILL ACCEPT A 24 OR 26 AWG STRANDED CONDUCTOR, PROVIDED THE INSULATED CONDUCTOR DIAMETER IS 0.89 [.035] TO 0.99 [.039] WITH A SHIELDED, PLIABLE, LOOSE CABLE JACKET OF 4.83 [.190] TO 5.21 [.205] DIAMETER OR A SHIELDED, RIGID, HARD CABLE JACKET OF 4.83 [.190] TO 5.08 [.200] DIAMETER.
- 4 TERMINATED DIMENSION 6.15 [.242] MAXIMUM.
- 5 500 ASSEMBLIES AND 500 LOAD BARS PER PACKAGE.
- 6 100 ASSEMBLIES AND 100 LOAD BARS PER PACKAGE.
- 8 UL RECOGNIZED: FILE NUMBER E81956.

6	5-569552-3
5	5-569552-2
PACKAGED	PART NUMBER

THIS DRAWING IS A CONTROLLED DOCUMENT.		DWN	G. GARRETT	10-12-95		TE Connectivity		
DIMENSIONS: mm [INCHES]		CHK	C. WHITT	10-31-95		NAME		
TOLERANCES UNLESS OTHERWISE SPECIFIED:		APVD	E. LAURER	11-7-95		PRODUCT SPEC		
0 PLC ± - 1 PLC ± - 2 PLC ± - 3 PLC ± - 4 PLC ± - ANGLES ± - FINISH ± -		APPLICATION SPEC		108-1163				
MATERIAL		WEIGHT		SIZE		CAGE CODE	DRAWING NO	RESTRICTED TO
-		-		A2		00779	C=569552	-
CUSTOMER DRAWING				SCALE		SHEET		REV
				4:1		1 of 1		G