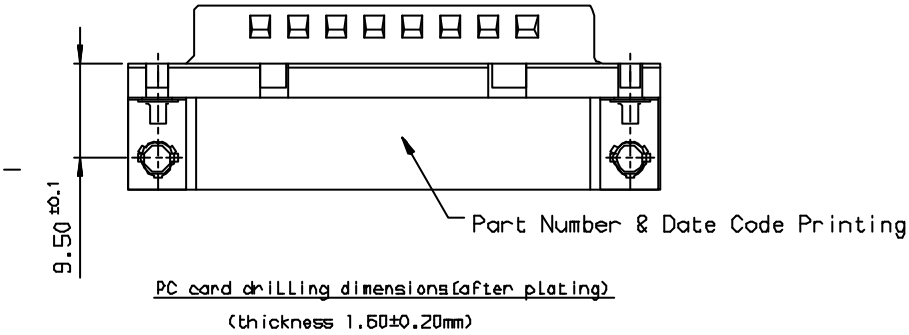
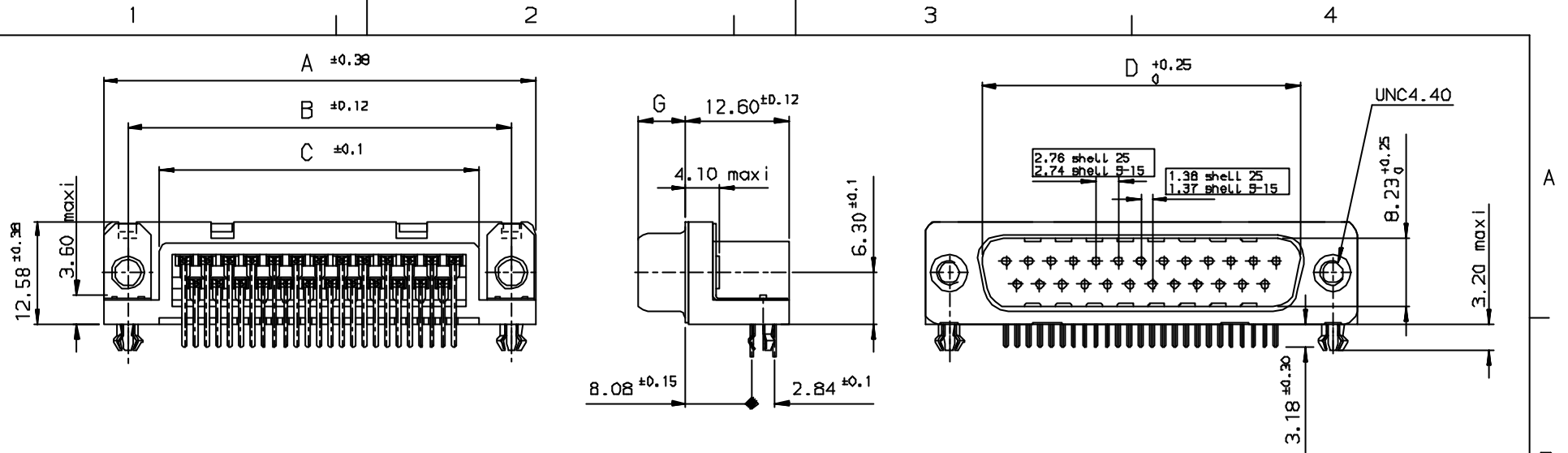


Tous droits strictement réservés. Reproduction ou communication à des tiers interdite sans autorisation écrite de la Direction de la Production. Propriété de FCI. Droits de reproduction FCI.

**FCI**

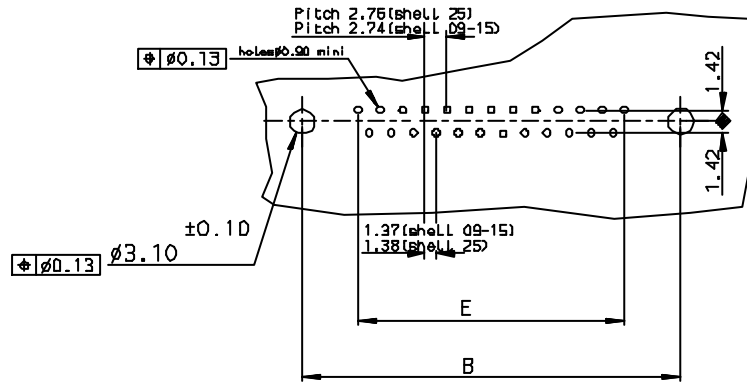
All rights strictly reserved. Reproduction or communication to any third party without the written authority from the production. Property of FCI. Copyright FCI.



Pull parts							
SHELL	A±0.38	B±0.12	C±0.10	D±0.25	E±0.07	G±0.25	PART NUMBER
09	30.81	24.99	16.96	16.79	10.96	5.90	D09P33E4GX00**
15	39.14	33.32	25.18	25.12	19.18	5.90	D15P33E4GX00**
25	53.03	47.04	39.12	38.84	33.12	5.70	D25P33E4GX00**

GENERAL CHARACTERISTICS, SEE DRAWING C01-8646-0000

LF FOR LEAD FREE



INDEX	DATE	REVISION DESCRIPTION
c	27/7/05	LEAD FREE DETAILS ADDED

Utr	Eon no	Dr	date
c	105-0124	J5	27/7/05

		✓	Tolerance LINEAR ±0.1 ANGULAR ±1°	Projection MM	Size A3	Scale
Dr	JOHN SLEBSA	27/10/97	Product Family	D-9UB		
Eng	GEORGE VJ	27/10/97	Spec ref			
Chr	GEORGE VJ	27/7/05	Material			
Appr	K Somasundaram	27/7/05				
Title		MALE CONNECT, DELTA D right angle with nut, harpoon & metal plate		Dwg no		Rev.
Catalog no		DELTA-D		C01-8646-0158-2		c
CUSTOMER COPY				Sheet 1 of 1		