

Distributed by:

JAMECO[®]
ELECTRONICS

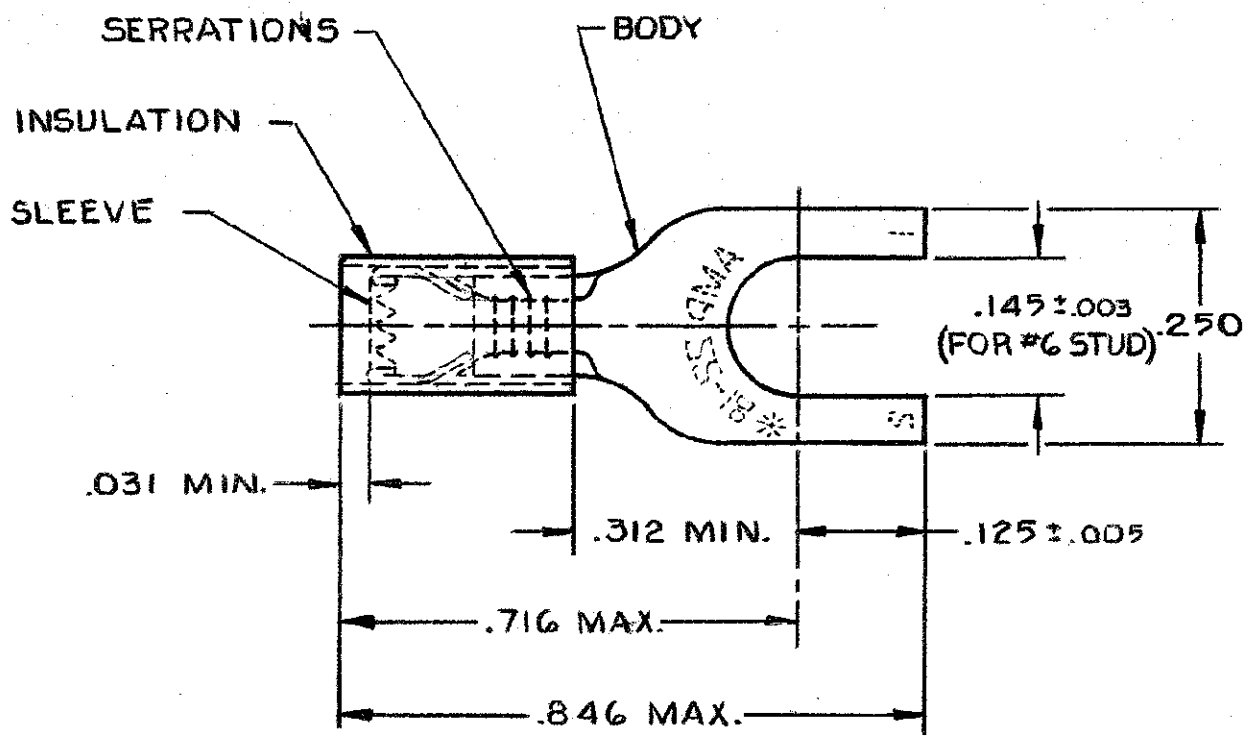
www.Jameco.com ♦ 1-800-831-4242

The content and copyrights of the attached
material are the property of its owner.

THIS DRAWING IS UNPUBLISHED. RELEASED FOR PUBLICATION 19

© COPYRIGHT 19 BY AMP INCORPORATED, HARRISBURG, PA. ALL INTERNATIONAL RIGHTS RESERVED. AMP PRODUCTS MAY BE COVERED BY U.S. AND FOREIGN PATENTS AND/OR PATENTS PENDING.

REVISIONS						
P	F	ZONE	LTR	DESCRIPTION	DATE	APPROVED
			D	REDRAWN, REV. PER G-1476, G-1175, P85-0063 & P85-0064	1/27/85	<i>Pom</i>
			E	OBSOLETE 2--3 PER G-2393	3/23/87	<i>GS Pom</i>
			F	OBSOLETE 2--2 PER G-3358	4-22-88	<i>MS/69</i>
			G	REV PER G-4732	JT 7/22/88	<i>MS</i>
			H	REV / G-019392	LO 9/92	<i>ML</i>
			J	REV / 0720-0242-93	TQ 3-9-93	<i>ML</i>
			K	REV / 0610-0094-98	2-3-99	<i>MS/JT</i>
			L	ADDED - 18-24 PER 063A-0314-00	8/may/00	<i>JR</i>
			M	REV PER 063A-0274-01	2/25/01	<i>JR/TM</i>



Jameco Part Number 302877

- 1 WIRE INSULATION DIA. = .105-.140
- 2 TONGUE MATERIAL THK. = .031±.002
- 3 22-18 MARKING FOR MILITARY, COMMERCIAL RANGE 22-16
- 4 TIN PLATE (ASTM B 545) .000100 MIN THK.
- 5 PRELIMINARY - NOT FOR PRODUCTION
- 6 SUPERSEDED BY 8-34541-1

MARKER	COLOR	QTY.	DESCRIPTION	PART NO
△	RED	50	LOOSE PIECE, BAG	8-34541-5
	RED	100	LOOSE PIECE, BOX	8-34541-1
	BLACK	5,000	34541-1 ON TAPE, REEL	△ 2-34541-4
OBSOLETE	RED	100	ON TAPE, SM. BOX	2-34541-3
OBSOLETE	RED	4,000	ON TAPE, LG. BOX	2-34541-2
	RED	5,000	34541 ON TAPE, REEL	2-34541-1
	BLACK	#	LOOSE PIECE	△ 34541-1
	RED	#	LOOSE PIECE	34541

UNLESS OTHERWISE SPECIFIED DIMENSIONS ARE IN INCHES. TOLERANCES ON: DECIMALS ±.008 ANGLES ±	CONTRACT NO		AMP INCORPORATED Harrisburg, Pa.	
	DR UTA/RFB 9-24-85			
MATERIAL INSULATION: NYLON - RED BODY & SLEEVE: COPPER PER (ASTM B 152)	CHK	NAME		
	Muty along Main transition del/soles	TERMINAL, P1DG™ SPADE WIRE SIZE: 22-16		
FINISH BODY: 4	DSGN APPD	SIZE	FSCM. NO	DRAWING NO
	OTHER APPD	B	00779	34541
		SCALE NTS		SHEET 1 OF 1