

Distributed by:

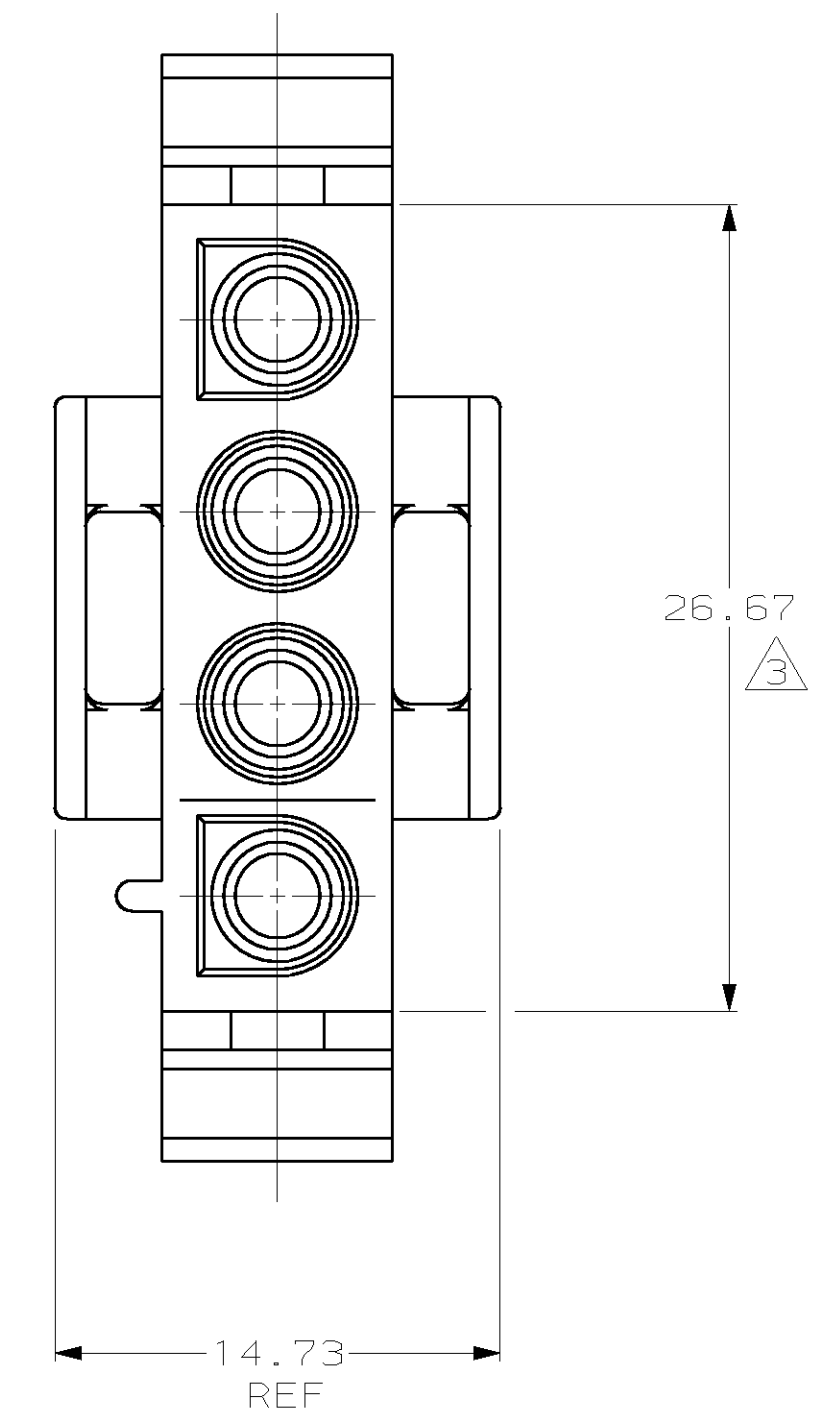
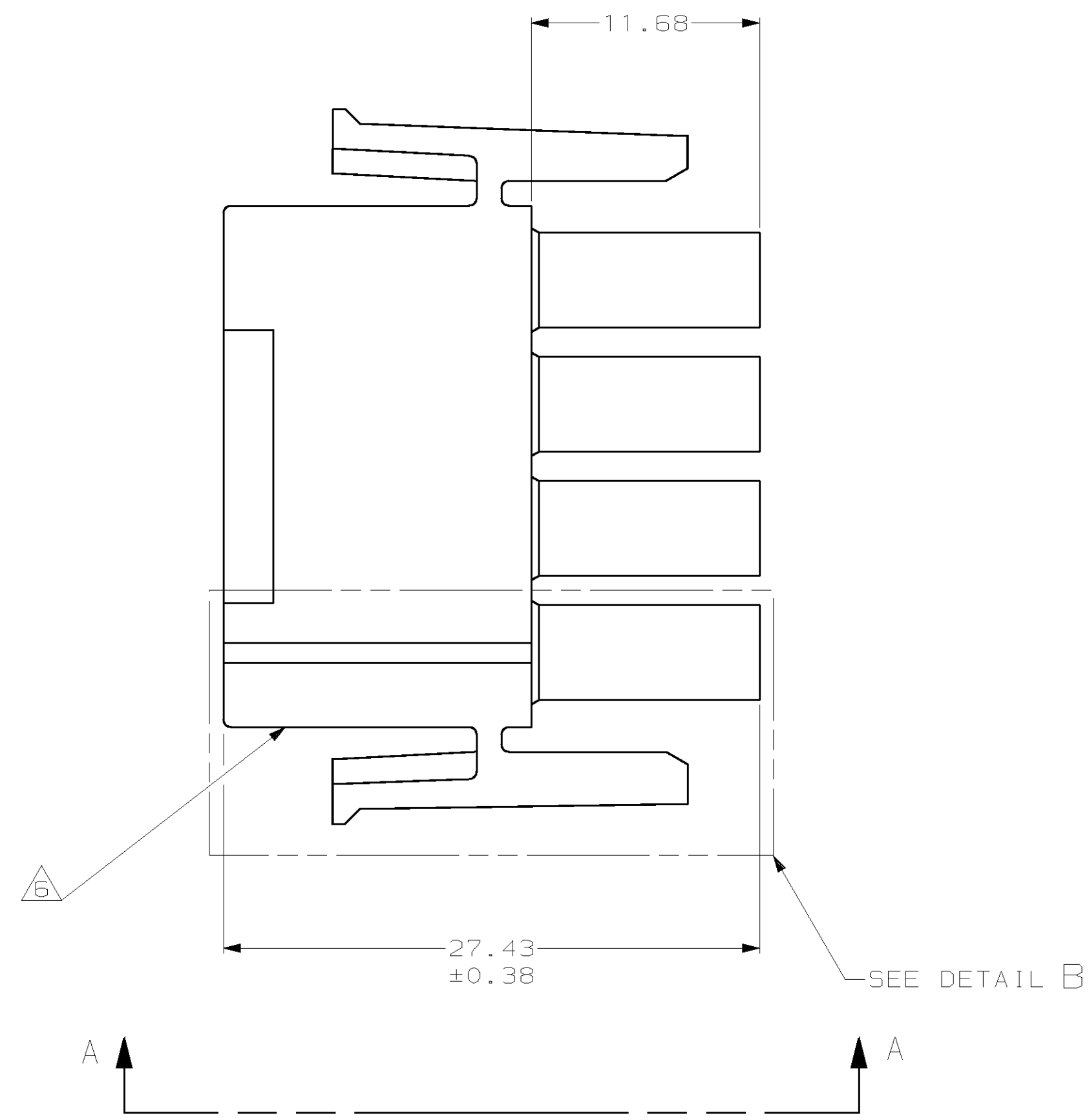
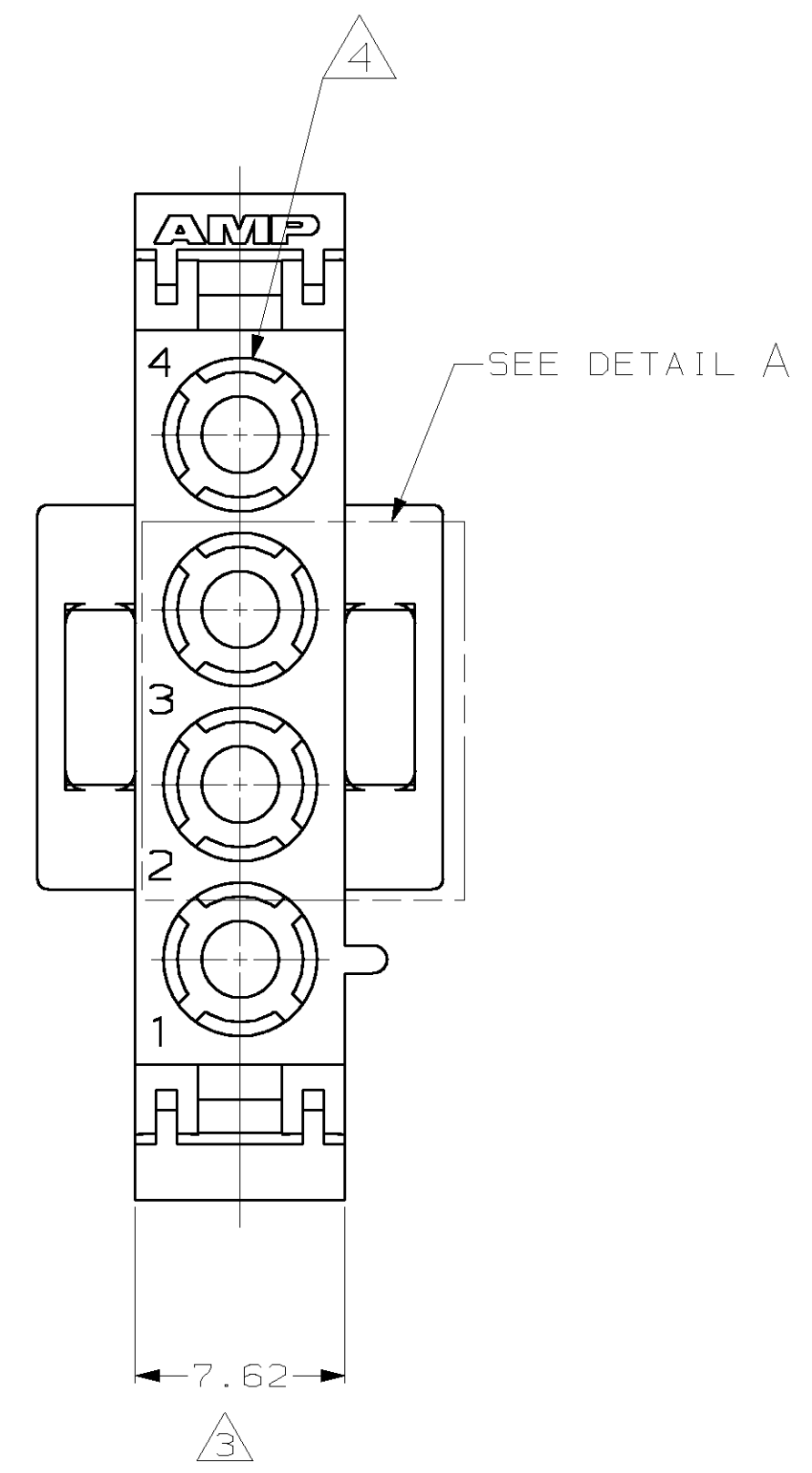
JAMECO[®]
ELECTRONICS

www.Jameco.com ♦ 1-800-831-4242

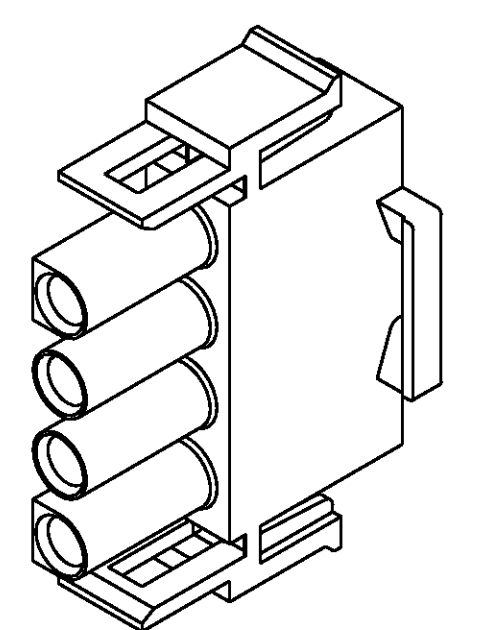
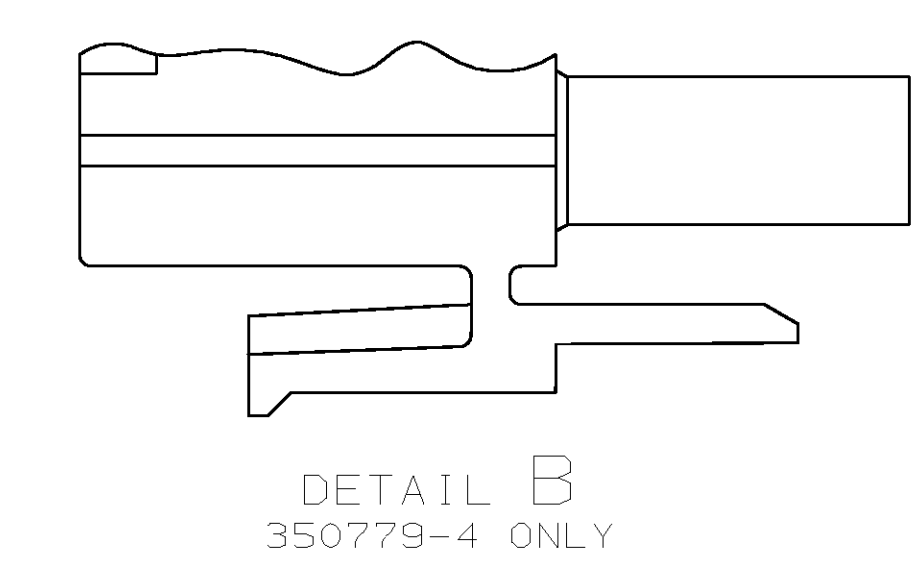
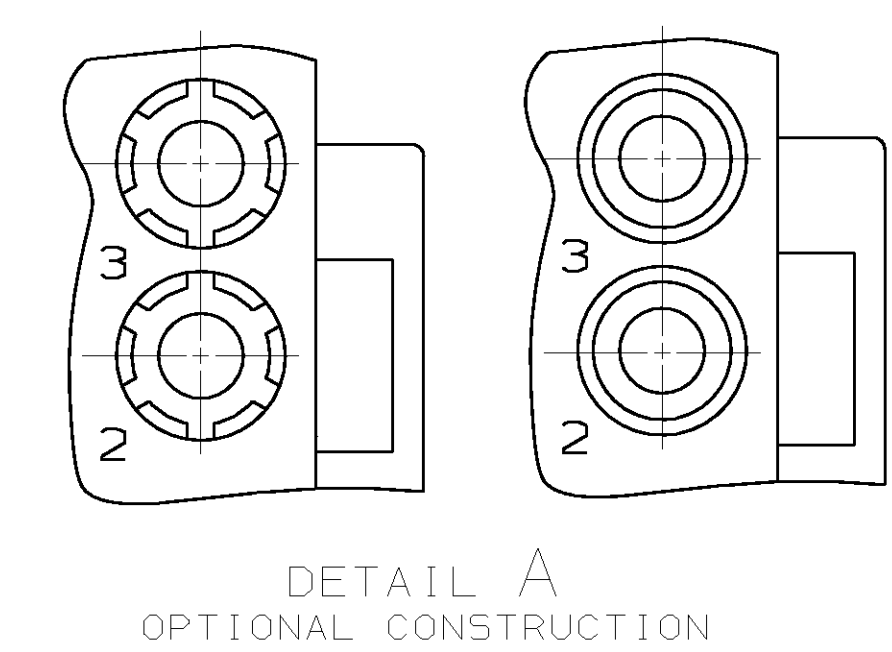
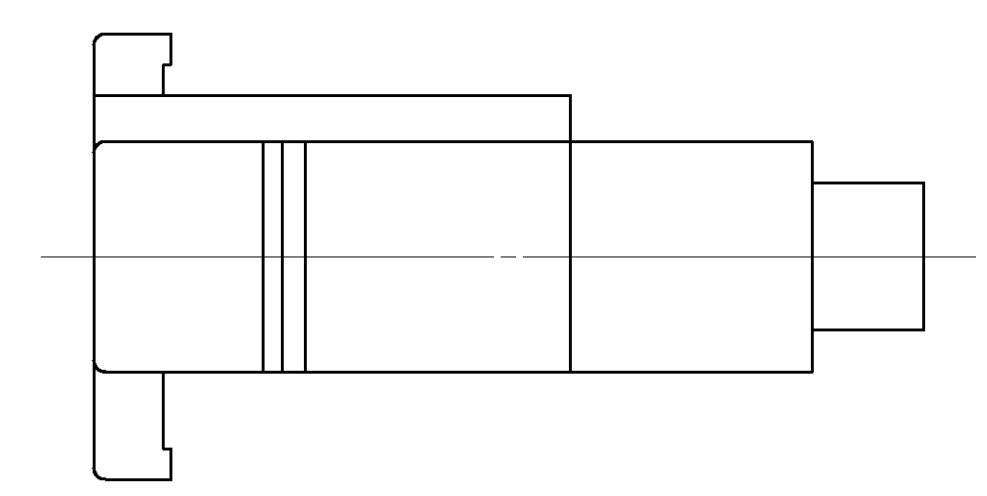
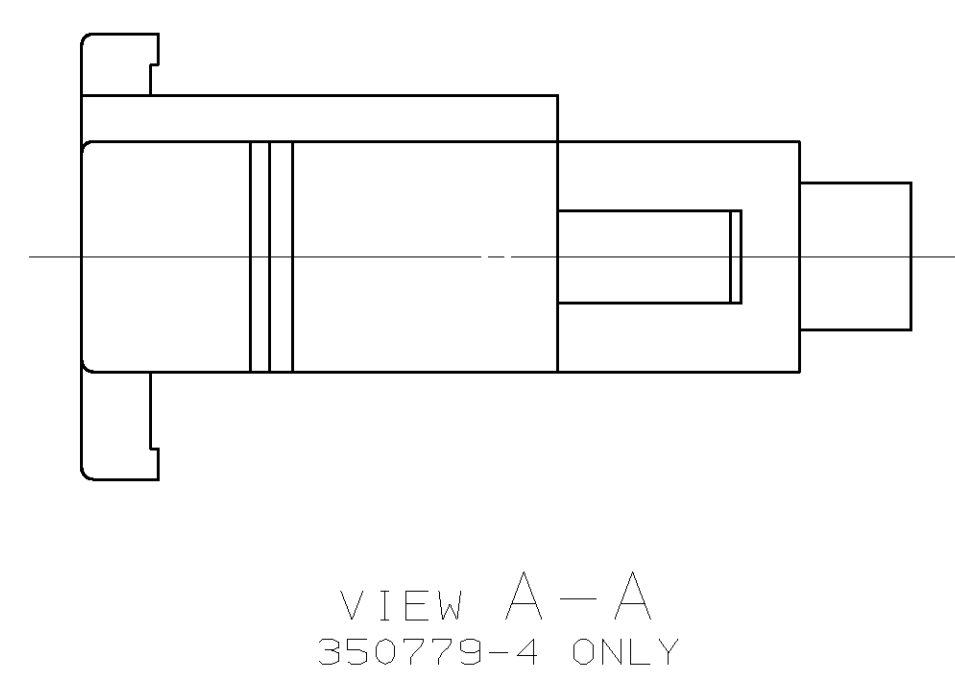
The content and copyrights of the attached
material are the property of its owner.

Jameco Part Number 496544

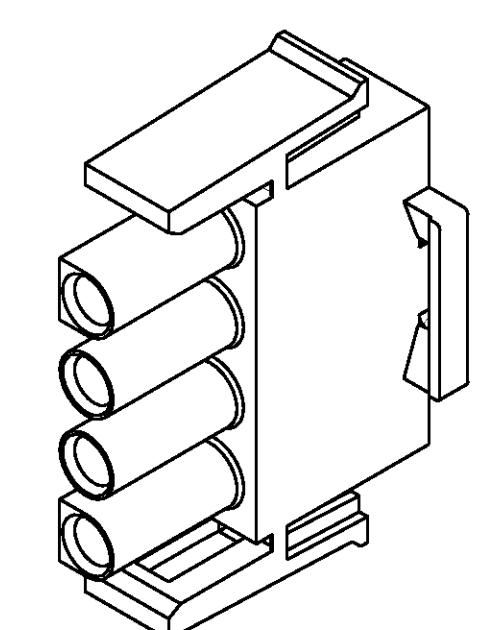
LOC	DIST	REVISIONS				
REV	DATE	BY	DESCRIPTION	DATE	OWN	APPROV
CM	53	AB	REV PER EC 061B-0229-98	17-FEB-99	JH	RS



- MATES WITH APPROPRIATE UNIVERSAL MATE-N-LOK™ CAP OR HEADER.
 - SMALL NICKS ARE PERMITTED ON THE CIRCUIT TOWERS WHICH COULD INCREASE THE INITIAL HOUSING MATING FORCE BY UP TO 4.4 NEWTONS [1.0 LBS]. NO INDIVIDUAL NICKED TOWER SHALL INCREASE THIS FORCE BY OVER 2.2 NEWTONS [.5 LBS].
- 3 DIMENSION INDICATED IS AS MOLDED. ADDITIONAL GROWTH DUE TO SUBSEQUENT MOISTURE ABSORPTION MAY OCCUR.
- 4 FOUR RIBS EQUALLY SPACED, NO SPECIFIC ORIENTATION. NO RIBS OR SIX RIBS EQUALLY SPACED, NO SPECIFIC ORIENTATION, OPTIONAL.
- 5 NOT MANUFACTURED IN U.S.
- 6 UNDERWRITERS RECOGNIZED COMPONENT LOGO AND CSA CERTIFICATION LOGO TO BE LOCATED ONCE EACH ON SIDE OF HOUSING.



350779-4 3-DIMENSIONAL MODEL NTS



3-DIMENSIONAL MODEL NTS

MM	IN
27.43	1.080
26.67	1.050
14.73	.580
11.68	.460
7.62	.300
0.38	.015
0.13	.005
MM	IN

CONVERSION TABLE

METRIC

350779-4
350779-1
PART NUMBER

<small>THIS DRAWING IS UNPUBLISHED. IT IS SUBJECT TO CHANGE AND THE CONTROLLING ENGINEERING ORGANIZATION SHALL BE CONTACTED FOR THE LATEST REVISION.</small>		DWN VESTAL 2-03-95 SWG SWING 2-03-95 D.S.F.L. 2-03-95	AMP AMP Incorporated Harrisburg, PA 17105-3608
DIMENSIONS: mm TOLERANCES UNLESS OTHERWISE SPECIFIED: D, PLC ±.01 F, PLC ±.013 B, PLC ±.01 A, PLC ±.01 ANGLES ±0°30'	PRODUCT SPEC: - APPLICATION SPEC: - FINISH: -	SIZE: A1 CAGE CODE: 00779 DRAWING NO: C=350779	PLUG, 4 CIRCUIT, UNIVERSAL MATE-N-LOK™ SCALE: 4:1 SHEET: 1 OF 1 REV: AB
MATERIAL: NYLON, UL 94V-0		CUSTOMER DRAWING	