

Distributed by:

**JAMECO**<sup>®</sup>  
ELECTRONICS

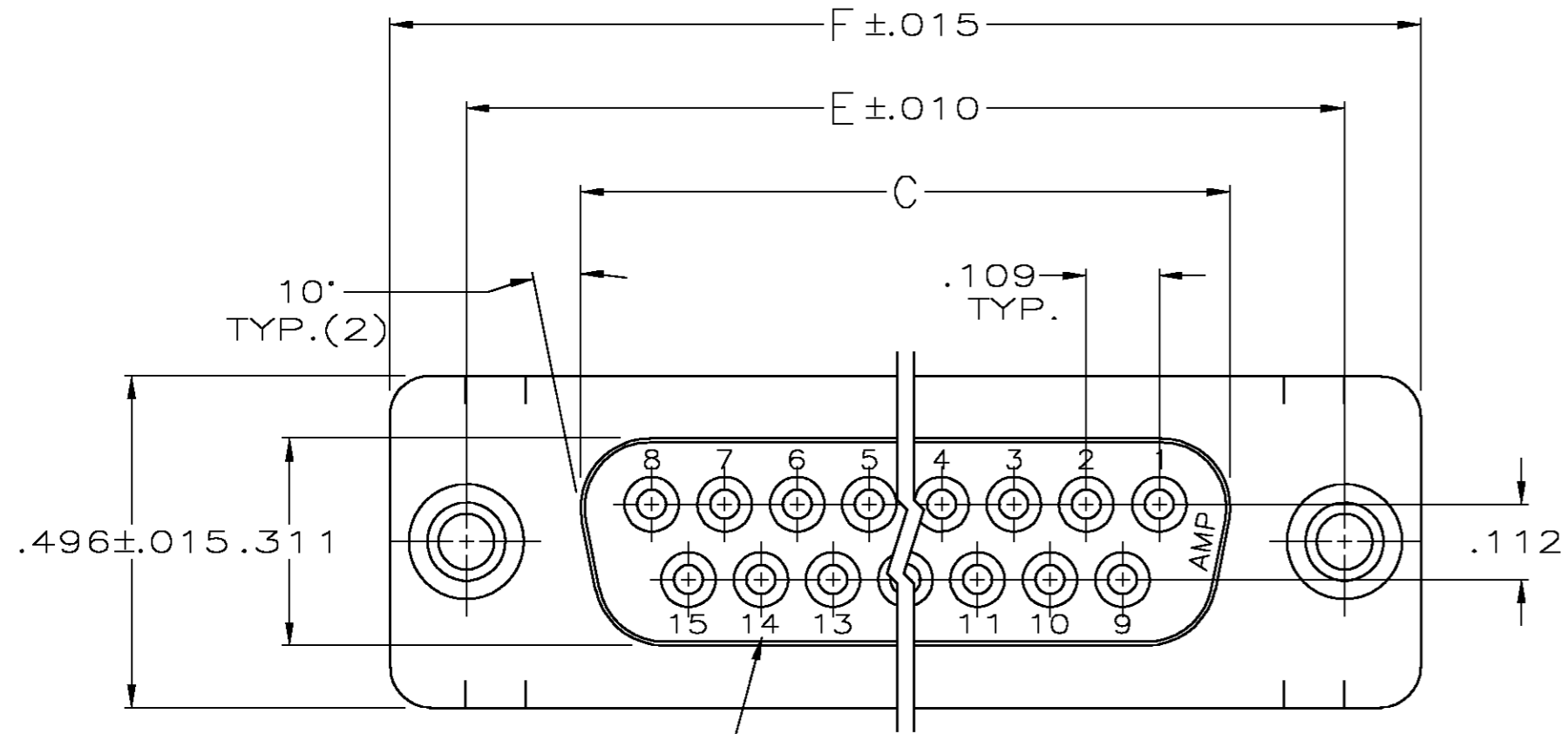
**www.Jameco.com ♦ 1-800-831-4242**

The content and copyrights of the attached  
material are the property of its owner.

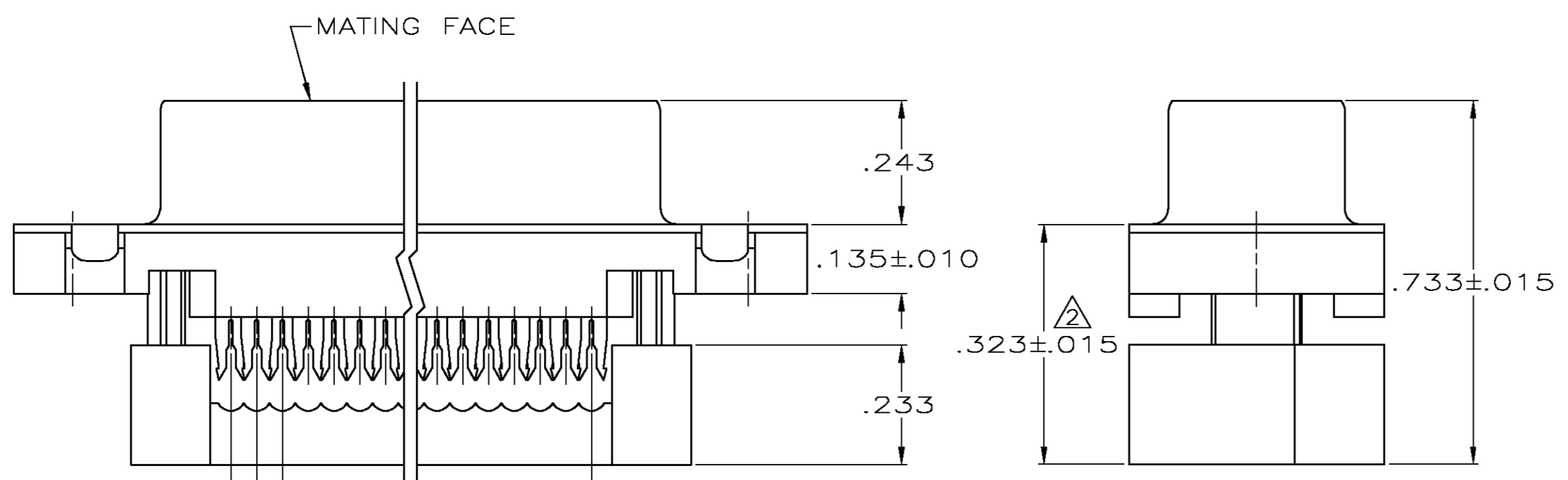
Jameco Part Number 900519

THIS DRAWING IS UNPUBLISHED. RELEASED FOR PUBLICATION  
 © COPYRIGHT BY TYCO ELECTRONICS CORPORATION. ALL RIGHTS RESERVED.

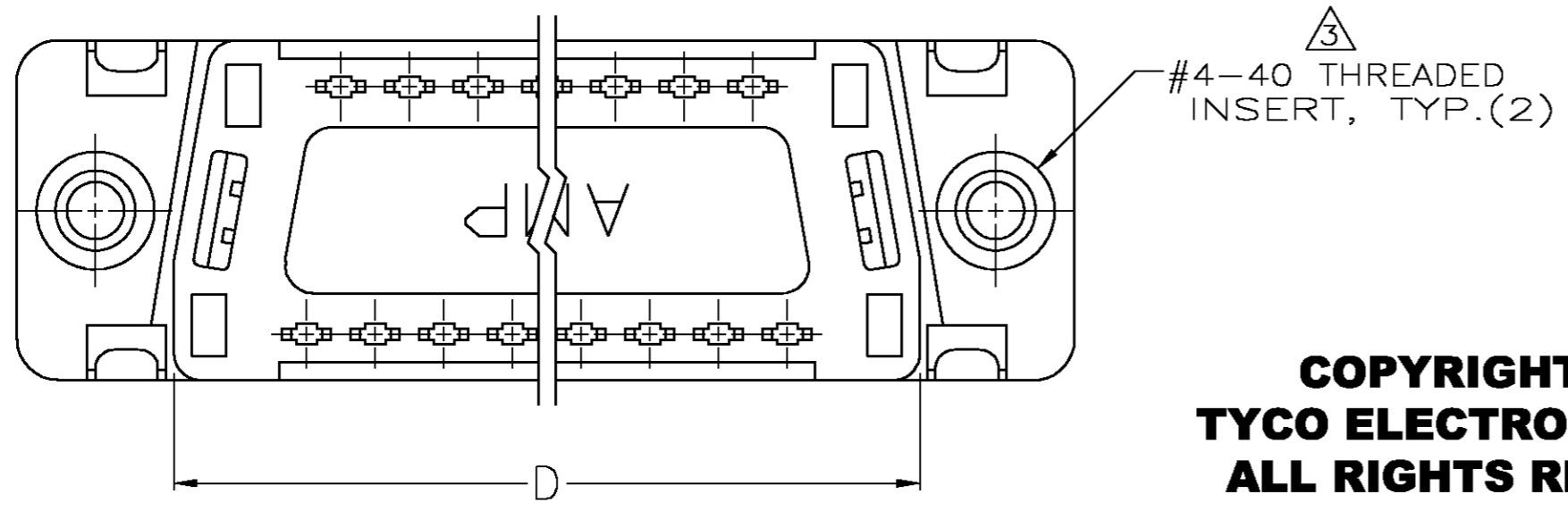
LOC		DIST		REVISIONS			
P	LTR	DESCRIPTION		DATE	DWN	APVD	
GP	00	A		REVISED PER EC OS13-0142-04	30MAR04	BM	JG



DEPRESSED CAVITY IDENTIFICATION (15 POSITION SHOWN)



.050 REF.  
 .100 REF.  
 A SPACES AT .050 = B



- CONNECTOR DESIGNED FOR 28 AND 26 AWG STRANDED AND SOLID CONDUCTOR RIBBON CABLE ON .050 $\phi$ .
- DIMENSION APPLIES TO TERMINATED CONNECTOR.
- INSERTS WILL WITHSTAND 6 IN LBS TORQUE AND 50 LBS PULL OUT FORCE FROM MATING FACE SIDE.
- HOUSING: THERMOPLASTIC, 94V-0 RATED, FLAME RETARDANT, COLOR: SEE TABLE. COVER: THERMOPLASTIC, 94V-0 RATED, FLAME RETARDANT, COLOR: BLACK. SHELL: STEEL PER QQ-S-698. CONTACTS: PHOSPHOR BRONZE PER QQ-B-750. INSERTS: BRASS PER MIL-C-50.
- GOLD PLATING PER MIL-G-45204, BRIGHT TIN PLATING PER MIL-T-10727, NICKEL PLATING PER QQ-N-290.
- SHELL: BRIGHT TIN PLATED. CONTACTS: .000030 MIN GOLD IN LOCALIZED GOLD PLATE AREA, .000100-.000200 TIN ON TERMINATION END, ALL OVER .000050 MIN NICKEL ON ENTIRE CONTACT.
- COLOR- C99 PANTONE 131C, GOLD.

1.541	1.312	1.087	.971	.700	14	$\Delta 7$	15	1658610-6
1.216	.984	.759	.643	.400	8	BLACK	9	1658610-4
1.541	1.312	1.087	.971	.700	14	BLACK	15	1658610-3
2.090	1.852	1.623	1.511	1.200	24	BLACK	25	1658610-2
2.732	2.500	2.275	2.159	1.800	36	BLACK	37	1658610-1
F	E	D	C	B	A	HOUSING COLOR	NO OF POSN	PART NUMBER

**COPYRIGHT 2004  
 TYCO ELECTRONICS CORP  
 ALL RIGHTS RESERVED**

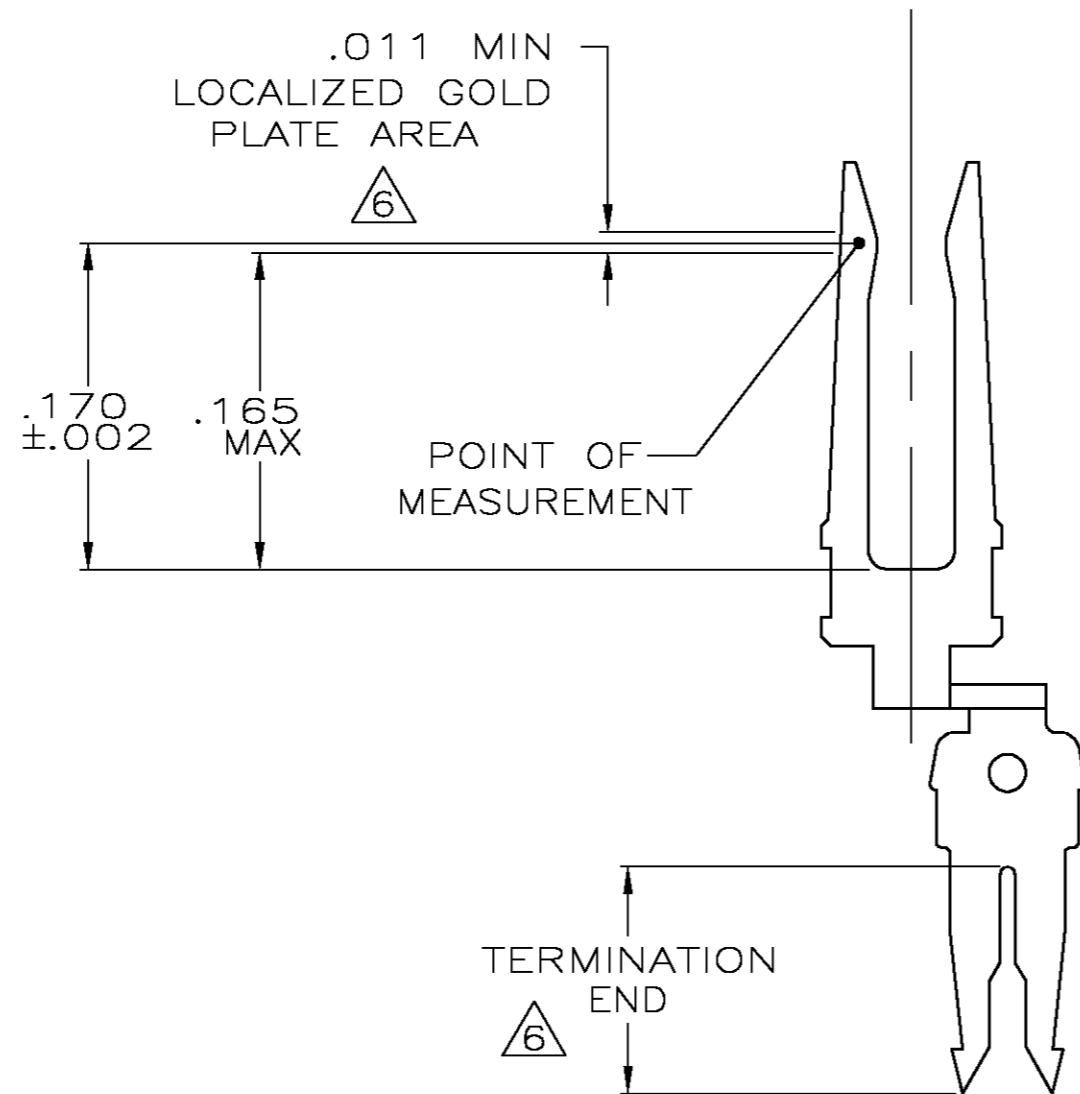
THIS DRAWING IS A CONTROLLED DOCUMENT.

DWN	B. MCMASTER	30MAR04
CHK	C. ROHDE	30MAR04
APVD	M. WALMSLEY	30MAR04
PRODUCT SPEC	108-40012	
APPLICATION SPEC	-	
WEIGHT	-	
MATERIAL	$\Delta 4$	
FINISH	$\Delta 5$ $\Delta 6$	

**tyco Electronics** Tyco Electronics Corporation  
 Harrisburg, Pa 17105-3608  
 NAME: RECP ASSY, FRONT METAL SHELL, THREADED INSERTS, LEAD-FREE, AMPLIMITE HDF  
 SIZE: A2 CAGE CODE: 00779 DRAWING NO: C=1658610 RESTRICTED TO: -  
 CUSTOMER DRAWING SCALE: 4:1 SHEET: 1 OF 2 REV: A

THIS DRAWING IS UNPUBLISHED. RELEASED FOR PUBLICATION  
 © COPYRIGHT BY TYCO ELECTRONICS CORPORATION. ALL RIGHTS RESERVED.

LOC	DIST	REVISIONS			
P	LTR	DESCRIPTION	DATE	DWN	APVD
GP	00	A	SEE SHEET 1	-	-



CONTACT DETAIL  
 SCALE 10:1

THIS DRAWING IS A CONTROLLED DOCUMENT.		DWN B. MCMASTER 30MAR04	Tyco Electronics Corporation Harrisburg, Pa 17105-3608	
DIMENSIONS: INCHES		CHK C. ROHDE 30MAR04	NAME	
		APVD M. WALMSLEY 30MAR04	RECPT ASSY, FRONT METAL SHELL, THREADED INSERTS, LEAD-FREE, AMPLIMITE HDF	
TOLERANCES UNLESS OTHERWISE SPECIFIED:		PRODUCT SPEC 108-40012	SIZE A2	RESTRICTED TO
0 PLC ± -		APPLICATION SPEC	CAGE CODE 00779	DRAWING NO C=1658610
1 PLC ± -		WEIGHT	SCALE 4:1	
2 PLC ± -		MATERIAL	SHEET 2	OF 2
3 PLC ± .005		FINISH	REV A	
4 PLC ± -		CUSTOMER DRAWING		
ANGLES ± 2°				

1658610