

Distributed by:

**JAMECO**<sup>®</sup>  
ELECTRONICS

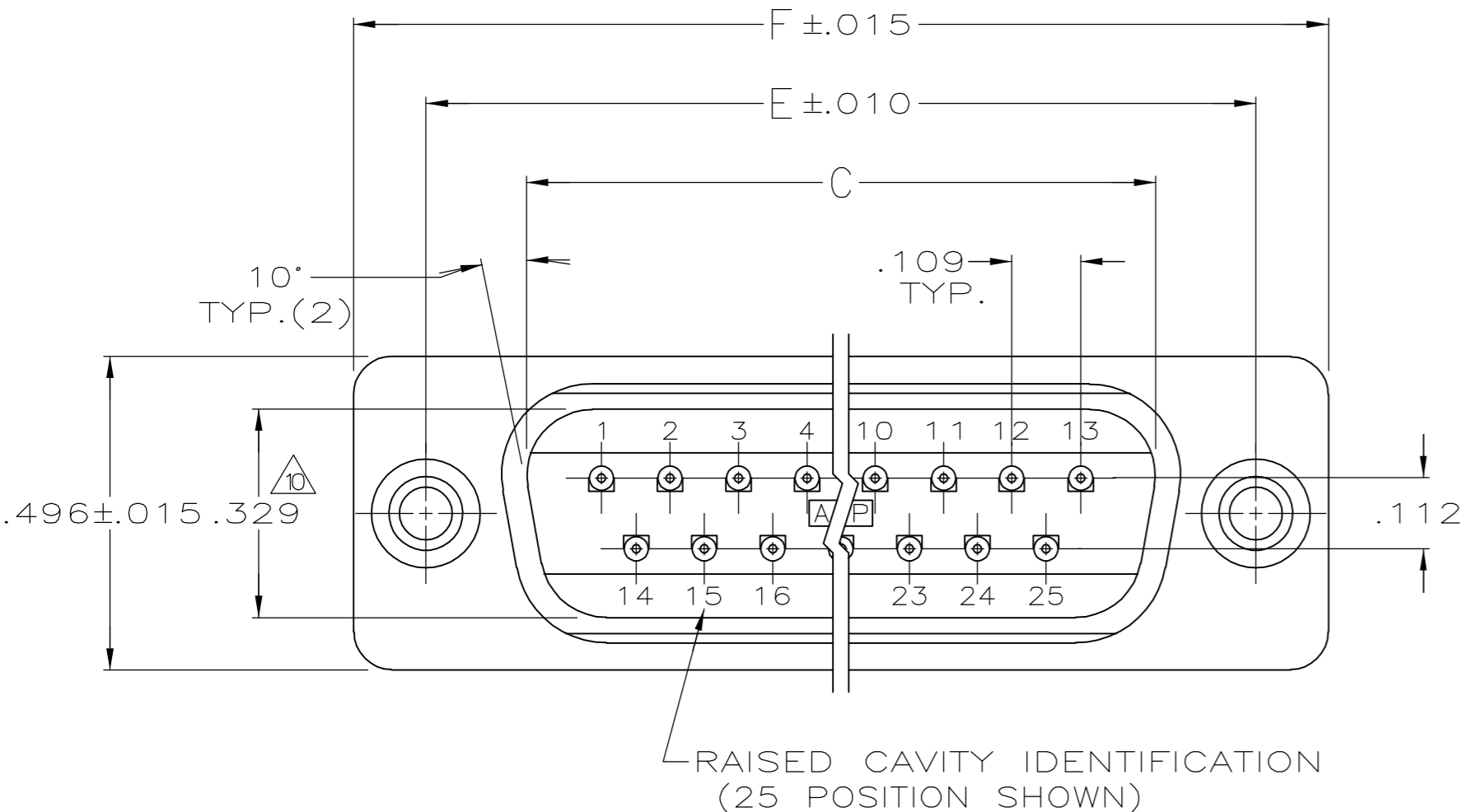
**www.Jameco.com ♦ 1-800-831-4242**

The content and copyrights of the attached  
material are the property of its owner.

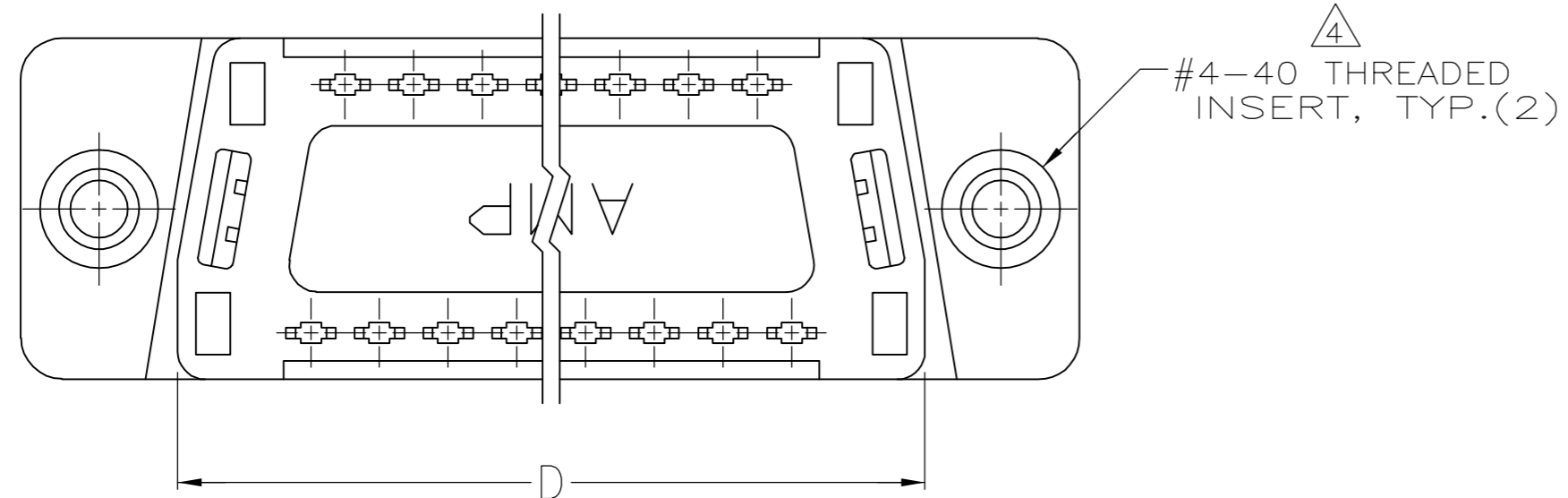
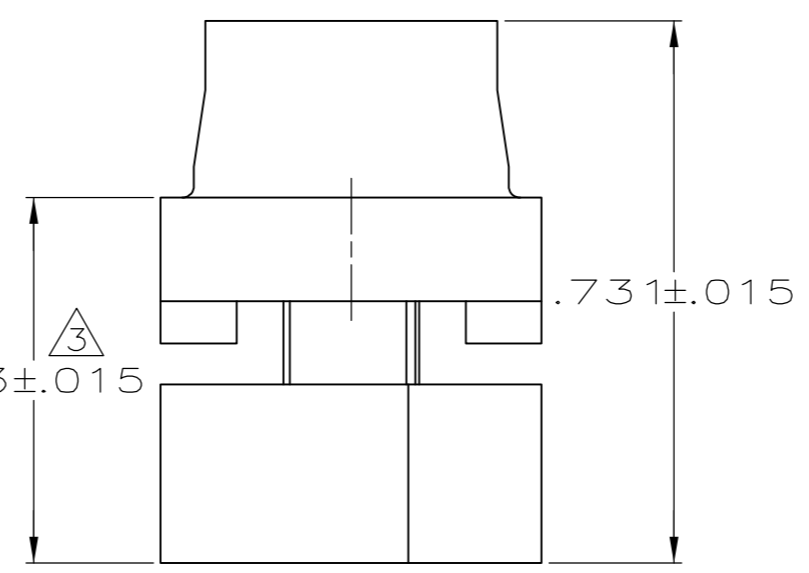
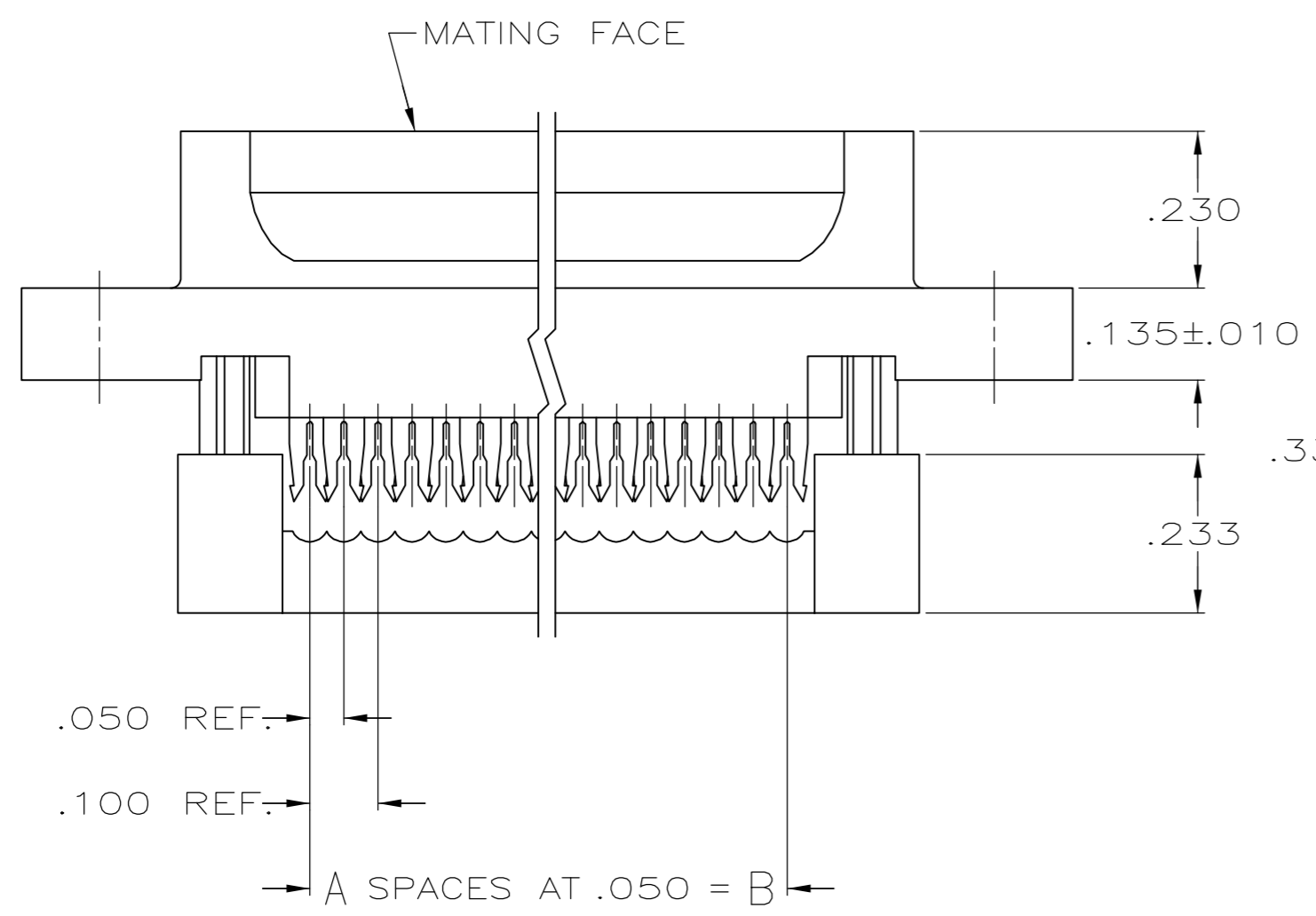
Jameco Part Number 900631

THIS DRAWING IS UNPUBLISHED. RELEASED FOR PUBLICATION  
 © COPYRIGHT BY TYCO ELECTRONICS CORPORATION. ALL RIGHTS RESERVED.

LOC		DIST		REVISIONS			
P	LTR	DESCRIPTION	DATE	DWN	APVD		
GP	00	B	REVISED PER ECN 0513-0251-05	31JUL06	JDP	CWR	



1. CONNECTORS COMPLY WITH AMP SPEC. 108-40012 AND MATE WITH ANY SAME NUMBER POSITION PLUG CONNECTOR IN AMPLIMITE SERIES.
2. CONNECTOR DESIGNED FOR 28 AND 26 AWG STRANDED AND SOLID CONDUCTOR RIBBON CABLE ON .050 $\phi$ .
3. DIMENSION APPLIES TO TERMINATED CONNECTOR.
4. INSERTS WILL WITHSTAND 6 IN. LBS. TORQUE AND 50 LBS. PULL OUT FORCE FROM MATING FACE SIDE.
5. MOLDED PARTS: FLAME RETARDANT 94V-0 RATED THERMOPLASTIC; COLOR: BLACK.
6. PHOS. BRONZE PER QQ-B-750.
7. BRASS PER MIL-C-50.
8. GOLD PLATING PER MIL-G-45204, BRIGHT TIN PLATING PER MIL-T-10727 NICKEL PLATING PER QQ-N-290.
9. .000030 GOLD ON MATING END, .000100-.000200 BRIGHT TIN ON TERMINATION END, ALL OVER .000050 NICKEL ON ENTIRE CONTACT.
10. DIMENSION APPLIES TO BASE OF SHROUD.



	1.216	.984	.759	.666	.400	8	9	1658611-4
	1.541	1.312	1.067	.994	.700	14	15	1658611-3
	2.090	1.852	1.623	1.534	1.200	24	25	1658611-2
OBSOLETE	2.732	2.500	2.275	2.183	1.800	36	37	1658611-1
	F	E	D	C	B	A	NO.OF POS.	PART NUMBER

THIS DRAWING IS A CONTROLLED DOCUMENT.

DIMENSIONS: INCHES	TOLERANCES UNLESS OTHERWISE SPECIFIED:	DWN B. MCMASTER 31MAR04	Tyco Electronics Corporation Harrisburg, Pa 17105-3608
	0 PLC ± -	CHK C. ROHDE 31MAR04	
	1 PLC ± -	APVD M. WALMSLEY 31MAR04	
	2 PLC ± -	NAME	
	3 PLC ± .005	PRODUCT SPEC	PLUG ASSEMBLY, THREADED INSERTS, LEAD-FREE, AMPLIMITE HDF
	4 PLC ± -	APPLICATION SPEC	SIZE A2 CAGE CODE 00779 DRAWING NO. C=1658611 RESTRICTED TO
	ANGLES ±	WEIGHT -	SCALE 4:1 SHEET 1 OF 1 REV B
MATERIAL	FINISH	CUSTOMER DRAWING	