

Distributed by:

JAMECO[®]
ELECTRONICS

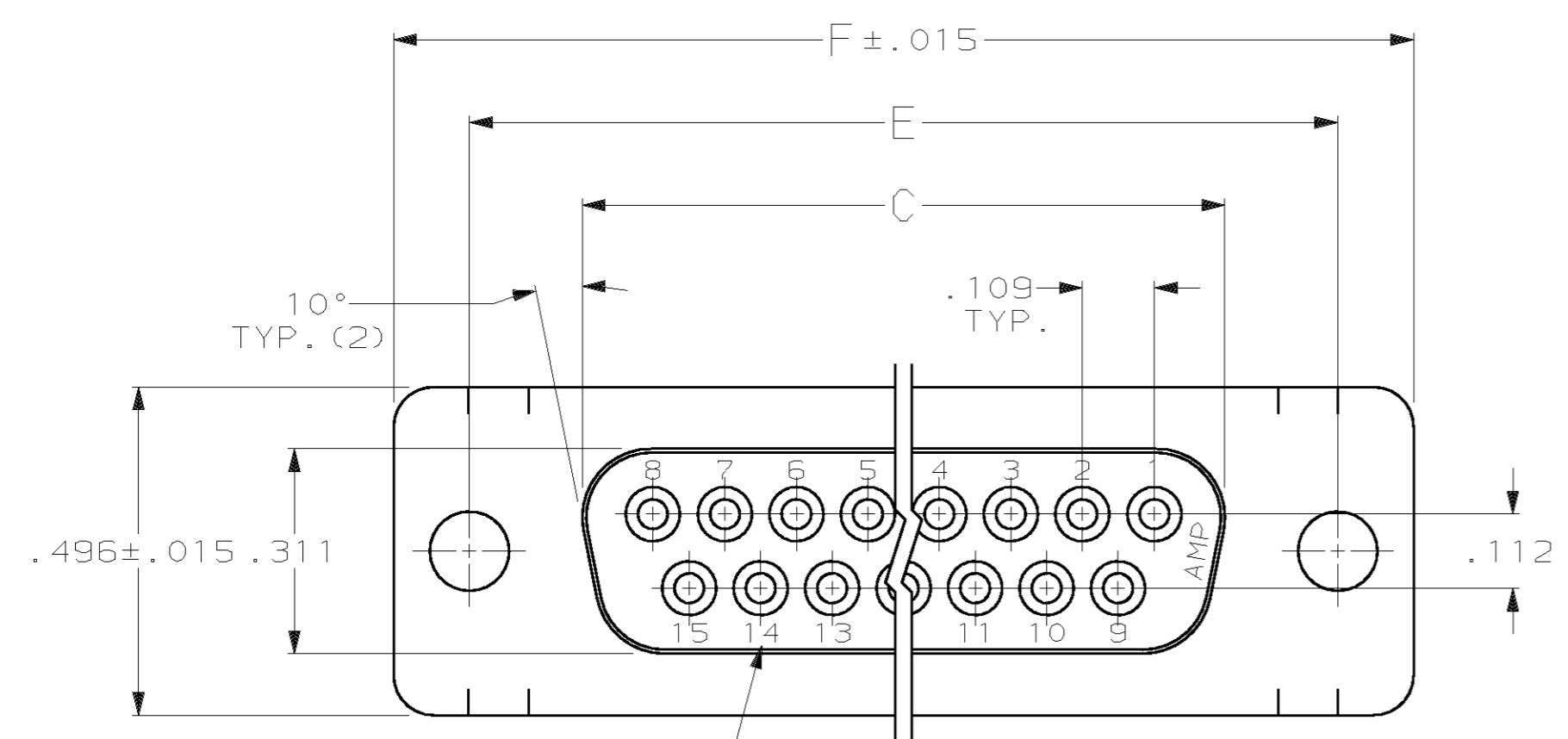
www.Jameco.com ♦ 1-800-831-4242

The content and copyrights of the attached
material are the property of its owner.

Jameco Part Number 900789

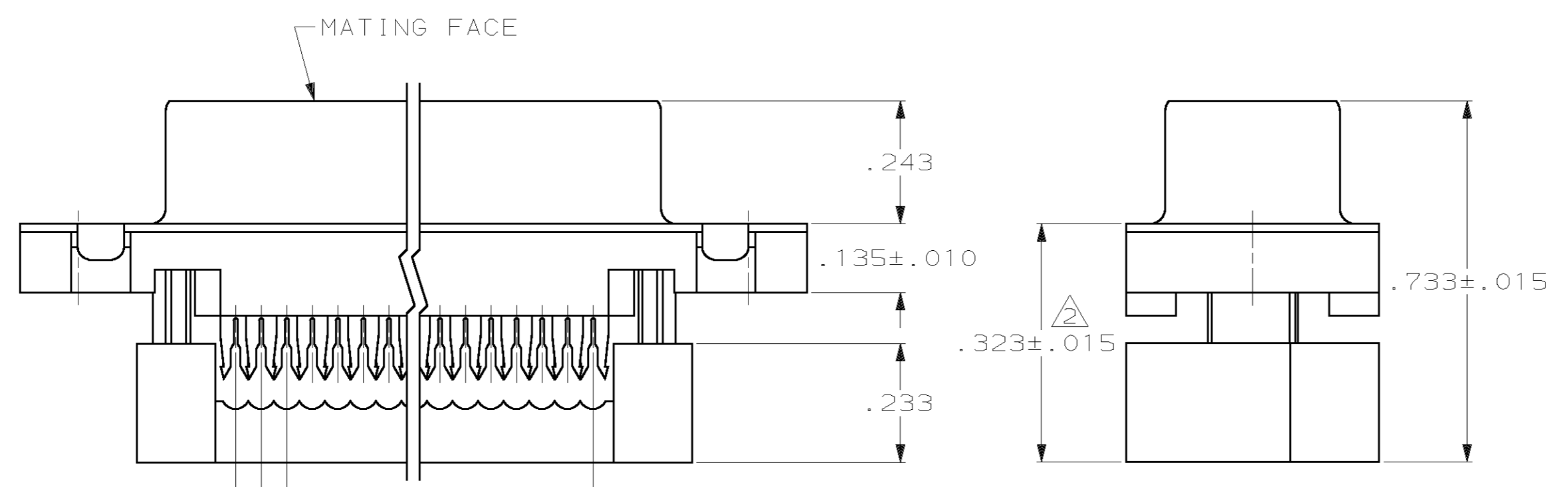
THIS DRAWING IS UNPUBLISHED. RELEASED FOR PUBLICATION
 BY AMP INCORPORATED. ALL RIGHTS RESERVED.

LOC	DIST	REVISIONS			
P	LTR	DESCRIPTION	DATE	DWN	APVD
GP	00				
0		RELEASED PER EC 0513-0187-03	13 JUN 03	LB	CR

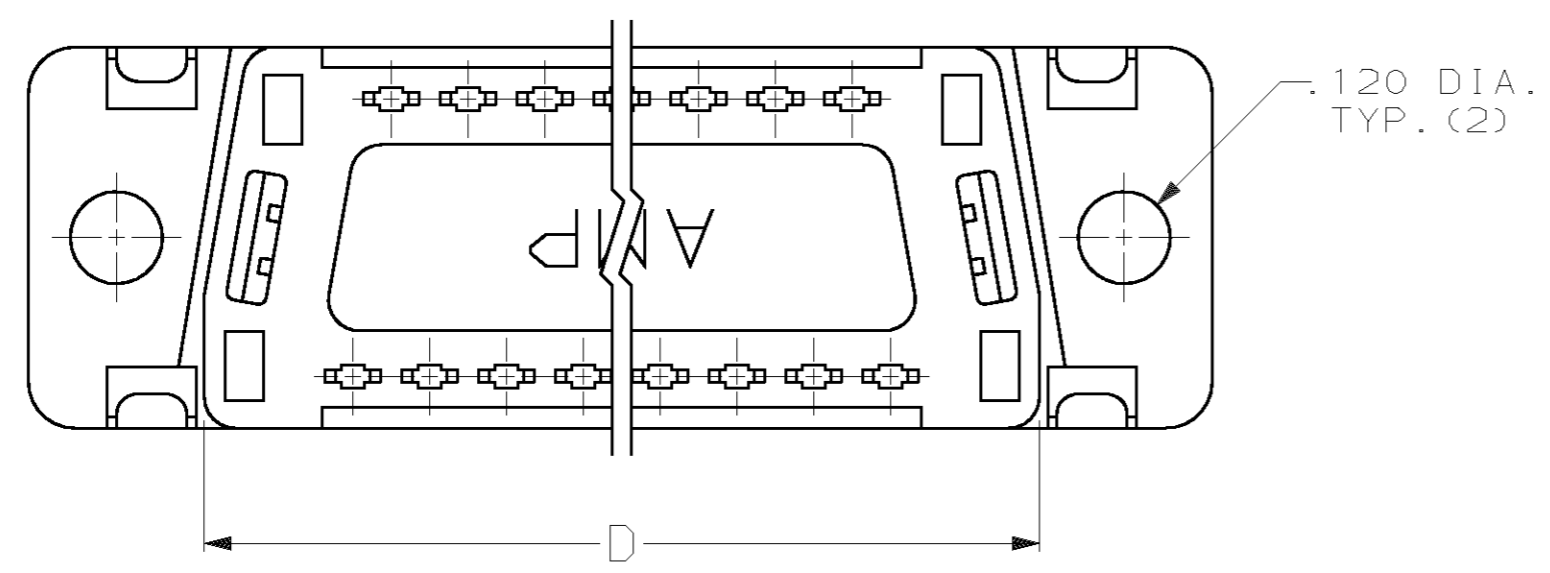


DEPRESSED CAVITY IDENTIFICATION
(15 POSITION SHOWN)

- CONNECTOR DESIGNED FOR 28 AND 26 AWG STRANDED AND SOLID CONDUCTOR RIBBON CABLE ON .050 ϕ .
- DIMENSION APPLIES TO TERMINATED CONNECTOR.
- MOLDED PARTS: THERMOPLASTIC, 94V-0 RATED, FLAME RETARDANT, BLACK. SHELL: STEEL PER QQ-5-698. CONTACTS: PHOSPHOR BRONZE PER QQ-B-750.
- GOLD PLATING PER MIL-G-45204, BRIGHT TIN PLATING PER MIL-T-10727, NICKEL PLATING PER QQ-N-290
- SHELL: BRIGHT TIN PLATED. CONTACTS: .000030 MIN GOLD IN LOCALIZED GOLD PLATE AREA, .000100-.000200 TIN ON TERMINATION END, ALL OVER .000050 MIN NICKEL ON ENTIRE CONTACT.



.050 REF.
.100 REF.
A SPACES AT .050 = B



1.216	.984	.759	.643	.400	8	9	1658612-4
1.541	1.312	1.087	.971	.700	14	15	1658612-3
2.090	1.852	1.623	1.511	1.200	24	25	1658612-2
2.732	2.500	2.275	2.159	1.800	36	37	1658612-1
F	E	D	C	B	A	NO OF POSN	PART NUMBER

THIS DRAWING IS A CONTROLLED DOCUMENT.

DWN	L. BAUM	6/13/03
CHK	C. ROHDE	6/13/03
APVD	M. WALMSLEY	6/13/03

AMP Incorporated
Harrisburg, PA 17105-3608

NAME: RCPT ASSY, FRONT METAL SHELL, LEAD-FREE, AMPLIMITE HDF

PRODUCT SPEC: 108-40012

APPLICATION SPEC: -

WEIGHT: -

CUSTOMER DRAWING

SCALE: 4:1 SHEET 1 OF 2 REV 0

4

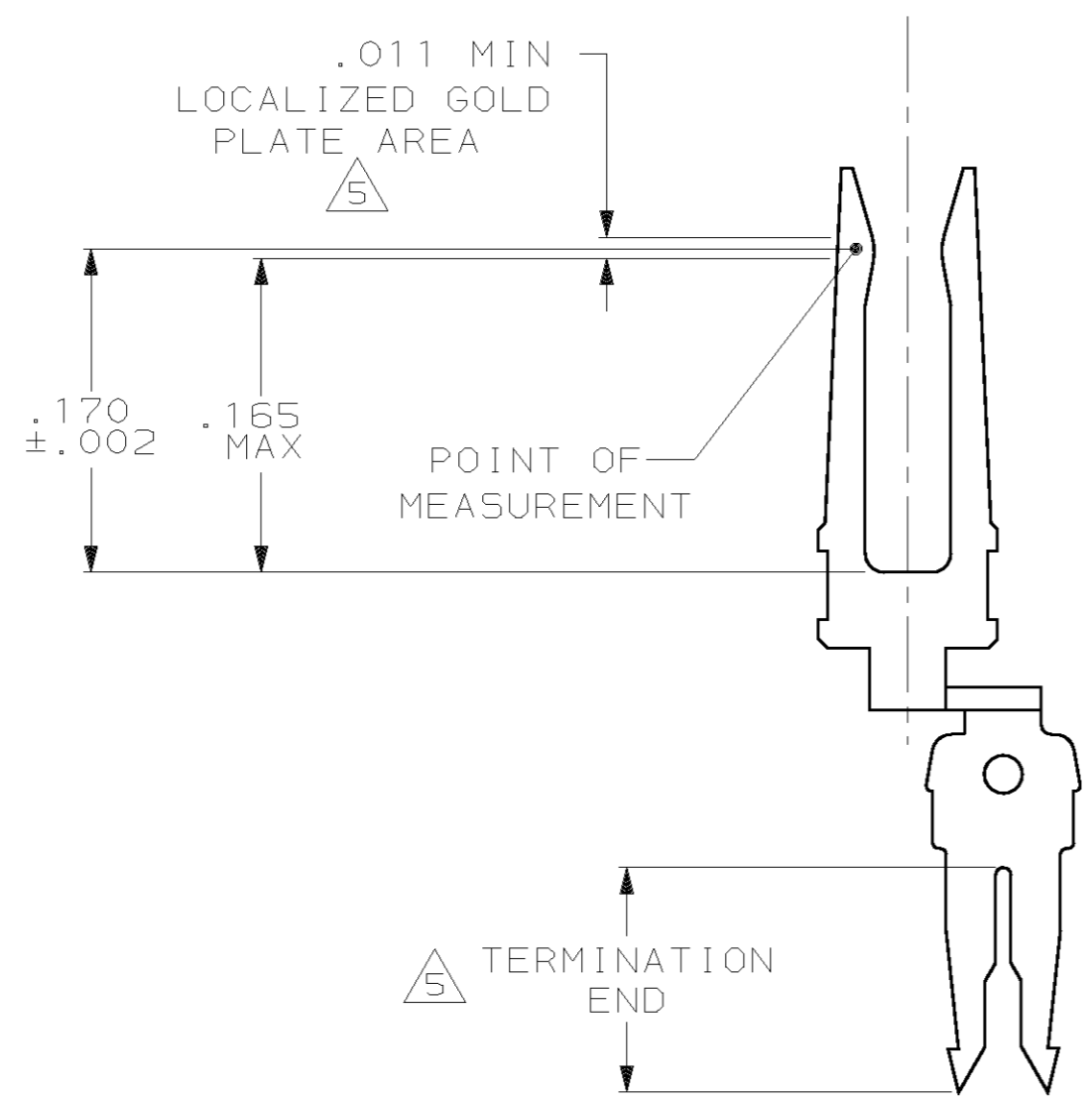
3

2

1

THIS DRAWING IS UNPUBLISHED. RELEASED FOR PUBLICATION .19
 (C) COPYRIGHT 19 BY AMP INCORPORATED. ALL RIGHTS RESERVED.

LOC		DIST		REVISIONS			
P	LTR	DESCRIPTION	DATE	DWN	APVD		
GP	00	0	SEE SHEET 1	-	-		



CONTACT DETAIL
SCALE 10:1

1658612

THIS DRAWING IS A CONTROLLED DOCUMENT.		DWN	L. BAUM	6/13/03	AMP Incorporated Harrisburg, PA 17105-3608
DIMENSIONS: INCH		CHK	C. ROHDE	6/13/03	
TOLERANCES UNLESS OTHERWISE SPECIFIED: 0 PLC ±- 1 PLC ±- 2 PLC ±- 3 PLC ±.005 4 PLC ±- ANGLES ±2°		APVD	M. WALMSLEY	6/13/03	
MATERIAL FINISH		PRODUCT SPEC	108-40012		
NAME		RCPT ASSY, FRONT METAL SHELL, LEAD-FREE, AMPLIMITE HDF			RESTRICTED TO
SCALE		4:1	SHEET	2	2
CUSTOMER DRAWING		WEIGHT	-	REV	0