

Distributed by:

**JAMECO**<sup>®</sup>  
ELECTRONICS

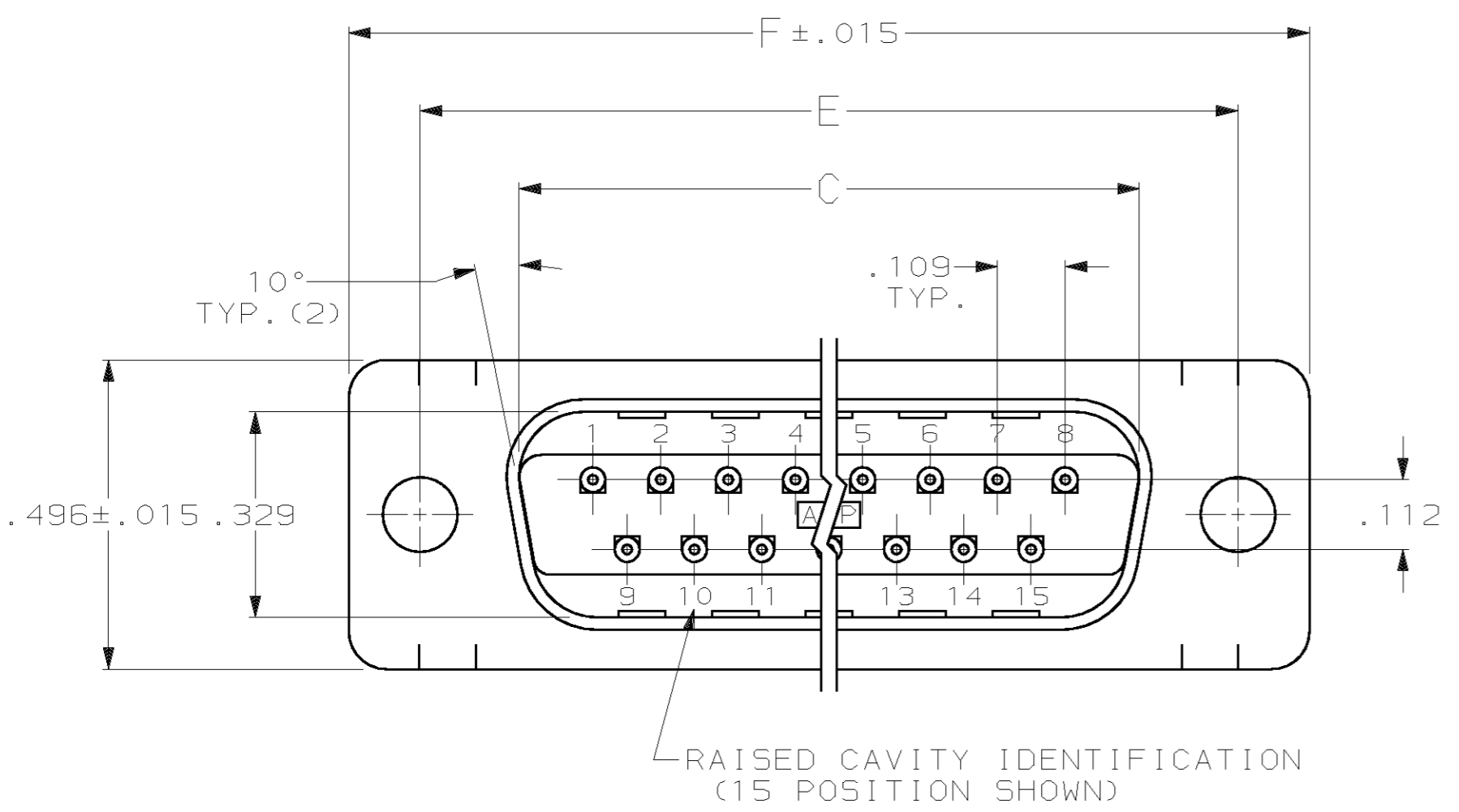
**www.Jameco.com ♦ 1-800-831-4242**

The content and copyrights of the attached  
material are the property of its owner.

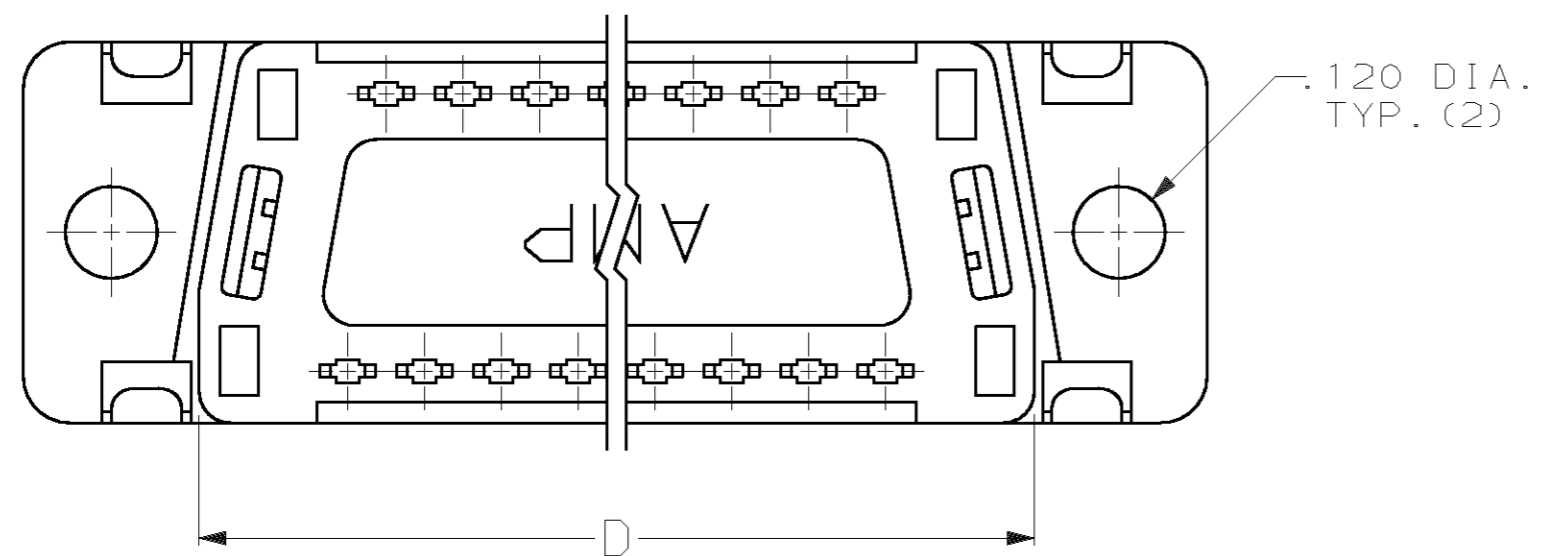
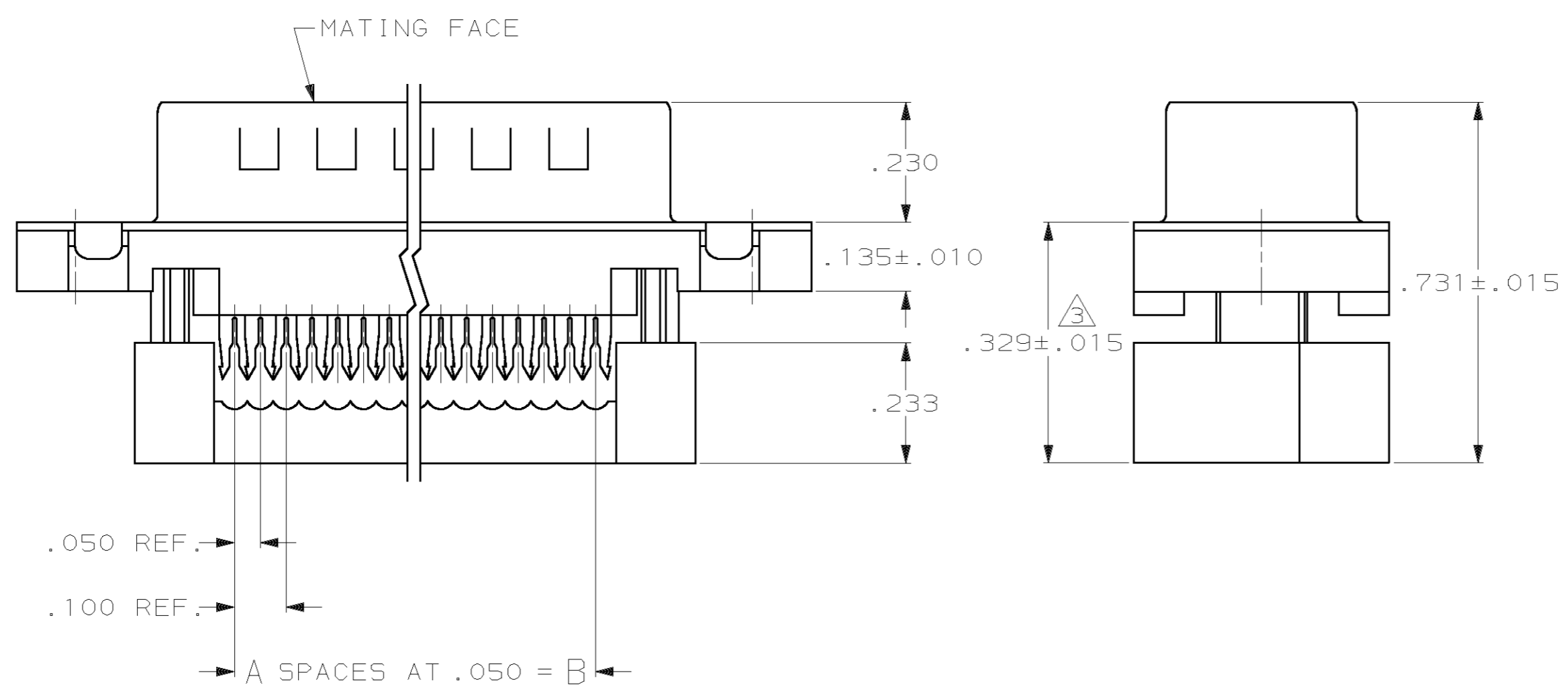
Jameco Part Number 900826

THIS DRAWING IS UNPUBLISHED. RELEASED FOR PUBLICATION  
 (C) COPYRIGHT 19 BY AMP INCORPORATED. ALL RIGHTS RESERVED.

LOC	DIST	REVISIONS					
GP	00	P	LTR	DESCRIPTION	DATE	DWN	APVD
		0		RELEASED PER EC 0513-0187-03	13 JUN 03	LB	CR



1. CONNECTORS COMPLY WITH AMP SPEC. 108-40,012 AND MATE WITH ANY SAME NUMBER POSITION RECEPTACLE CONNECTOR IN AMPLIMITE SERIES.
2. CONNECTOR DESIGNED FOR 28 AND 26 AWG STRANDED AND SOLID CONDUCTOR RIBBON CABLE ON .050¢.
3. DIMENSION APPLIES TO TERMINATED CONNECTOR.
4. MOLDED PARTS: FLAME RETARDANT 94V-0 RATED THERMOPLASTIC; COLOR: BLACK.
5. STEEL PER QQ-S-698.
6. PHOS. BRONZE PER QQ-B-750.
7. GOLD PLATING PER MIL-G-45204, BRIGHT TIN PLATING PER MIL-T-10727 NICKEL PLATING PER QQ-N-290.
8. BRIGHT TIN PLATED.
9. .000030 GOLD ON MATING END, .000100-.000200 BRIGHT TIN ON TERMINATION END, ALL OVER .000050 NICKEL ON ENTIRE CONTACT.



1.216	.984	.759	.666	.400	8	9	1658613-4
1.541	1.312	1.087	.994	.700	14	15	1658613-3
2.090	1.852	1.623	1.534	1.200	24	25	1658613-2
2.732	2.500	2.275	2.183	1.800	36	37	1658613-1
F	E	D	C	B	A	NO. OF POS.	PART NUMBER

THIS DRAWING IS A CONTROLLED DOCUMENT.

DWN	L. BAUM	6/13/03	AMP Incorporated Harrisburg, PA 17105-3608
CHK	C. ROHDE	6/13/03	
APVD	M. WALMSLEY	6/13/03	
NAME			
DIMENSIONS: INCH TOLERANCES UNLESS OTHERWISE SPECIFIED: 0 PLC ± 1 PLC ± 2 PLC ± 3 PLC ±.005 4 PLC ± ANGLES ±2°			PRODUCT SPEC APPLICATION SPEC WEIGHT -
MATERIAL MOLDED PARTS: △ SHELL: △ CONTACTS: △			FINISH △ SHELL: △ CONTACTS: △
CUSTOMER DRAWING			SCALE 4:1 SHEET 1 OF 1 REV 0